

ULTRA HIGH PURITY PRESSURE GAUGE WITH TRANSMITTER

MODEL : PT840 Series



SERVICE INTENDED

The PT840 Series specifically designed for ultra high purity gas distribution system used in semiconductor industry and electronic, medical, biotechnology, pharmaceutical industry.

NOMINAL DIAMETER

50mm (2")

GAUGE ACCURACY

±1.0% of full scale

TRANSMITTER ACCURACY

±0.25% of full scale

SCALE RANGE

30 inHg vacuum to 5000 psi, single or dual scale(psi - bar)

WORKING PRESSURE

Steady pressure : 75% of full scale value
Fluctuating pressure : 67% of full scale value

OPERATING TEMPERATURE

Ambient : -40 °C to +60 °C
Medium : +100 °C maximum



Standard Features

MECHANICAL

PRESSURE CONNECTION

Type 316L Stainless steel electropolished
low mount or center back mount
surface finish $R_a \leq 0.25 \mu m$
- 1/4 inch NPT male thread
- VCR[®] male or female face seal fitting

PRESSURE ELEMENT

Type 316L Stainless steel
< 60 bar : C-type bourdon tube
≥ 60 bar : helical type bourdon tube

MOVEMENT

Type 304 Stainless steel

DIAL

White aluminum, with pointer stop pin
With black/red lettering, dual pressure scale(bar/psi)

POINTER

Black aluminum pointer

RING AND WINDOW

Twist-lock polycarbonate

CASE

Type 304 Stainless steel,
electropolished with pressure relief

HELIUM LEAK RATE

Tested to confirm leakage rates of less than 10^{-9} mbar·ℓ/sec

ELECTRICAL

CONNECTION

26 AWG, Teflon insulated, 10 foot lead wire
(2 black wires)

OUTPUT

4 ~ 20 mA, 2 wire system

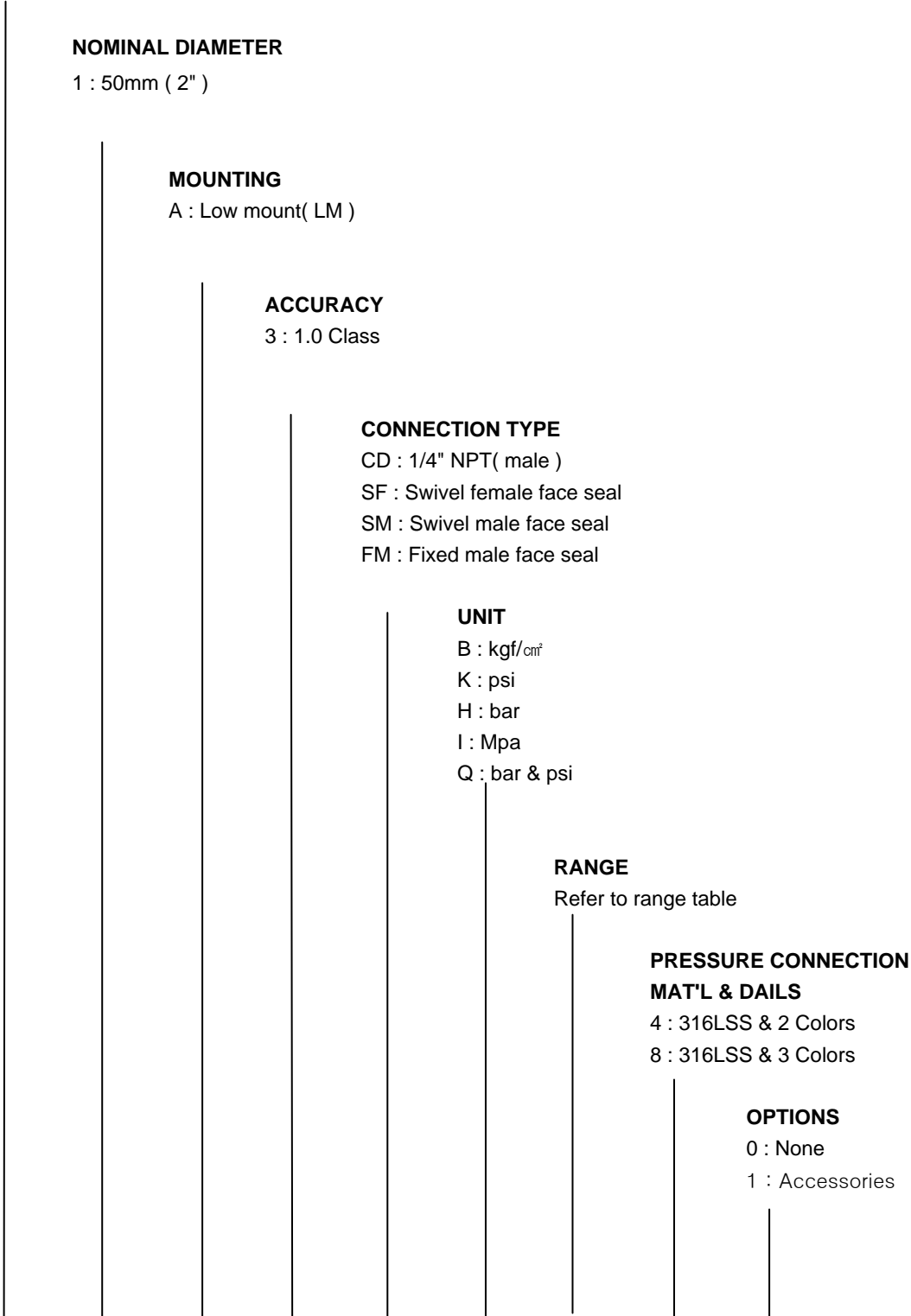
POWER

DC 24V

Ordering Information

BASE MODEL

PT840 : Ultra high purity pressure gauge with transmitter



NOMINAL DIAMETER

1 : 50mm (2")

MOUNTING

A : Low mount(LM)

ACCURACY

3 : 1.0 Class

CONNECTION TYPE

- CD : 1/4" NPT(male)
- SF : Swivel female face seal
- SM : Swivel male face seal
- FM : Fixed male face seal

UNIT

- B : kgf/cm²
- K : psi
- H : bar
- I : Mpa
- Q : bar & psi

RANGE

Refer to range table

PRESSURE CONNECTION

- MAT'L & DAILS**
- 4 : 316LSS & 2 Colors
 - 8 : 316LSS & 3 Colors

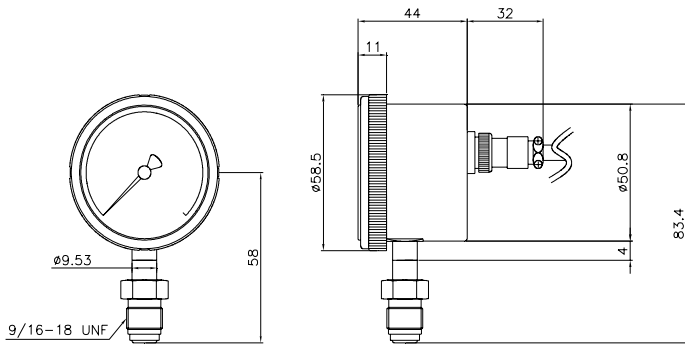
OPTIONS

- 0 : None
- 1 : Accessories

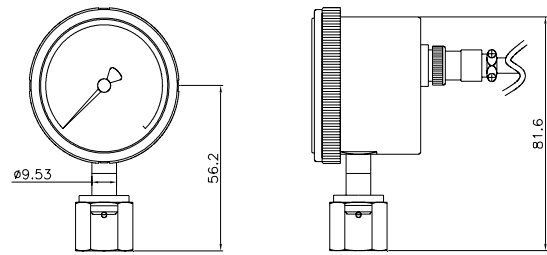
PT840	1	A	5	SF	Q	047	8	0
-------	---	---	---	----	---	-----	---	---

Dimensions

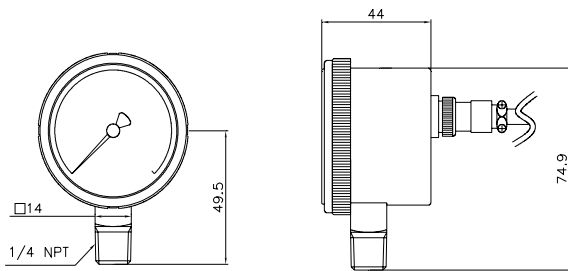
Φ50(2") Low mount



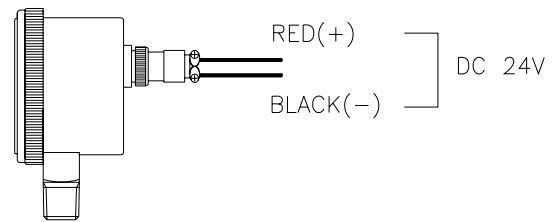
SWIVEL MALE



SWIVEL FEMALE



NPT MALE



WIRE CONNECTION

Range Table

CODE	kgf/cm ²	bar	psi	Mpa	50mm
026	-76cmHg ~ 0	-1 ~ 0	-30inHg ~ 0	X	○
027	-76cmHg ~ 1	-1 ~ 1	-30inHg ~ 15	X	○
007	X	-1 ~ 1.5	X	X	○
028	-76cmHg ~ 2	-1 ~ 2	-30inHg ~ 30	X	○
029	-76cmHg ~ 3	-1 ~ 3	X	X	○
030	-76cmHg ~ 4	-1 ~ 4	-30inHg ~ 60	X	○
010	X	-1 ~ 5	X	X	○
031	-76cmHg ~ 6	X	X	X	○
012	X	-1 ~ 7	-30inHg ~ 100	X	○
014	X	-1 ~ 9	X	X	○
032	-76cmHg ~ 10	-1 ~ 10	-30inHg ~ 150	X	○
016	X	-1 ~ 11	-30inHg ~ 160	X	○
033	-76cmHg ~ 15	-1 ~ 15	-30inHg ~ 200	X	○
034	-76cmHg ~ 20	X	-30inHg ~ 300	X	○
041	0 ~ 1	0 ~ 1	0 ~ 15	X	○
133	X	0 ~ 1.6	X	X	○
042	0 ~ 2	0 ~ 2	0 ~ 30	X	○
134	X	0 ~ 2.5	X	X	○
043	0 ~ 3	X	X	X	○
044	0 ~ 4	0 ~ 4	0 ~ 60	0 ~ 0.4	○
045	0 ~ 6	0 ~ 6	X	X	○
046	X	0 ~ 7	0 ~ 100	0 ~ 0.7	○
047	0 ~ 10	0 ~ 10	X	X	○
048	X	0 ~ 11	0 ~ 160	0 ~ 1.1	○
050	0 ~ 15	0 ~ 15	0 ~ 200	0 ~ 1.5	○
143	X	0 ~ 16	X	0 ~ 1.6	○
051	0 ~ 20	0 ~ 20	0 ~ 300	0 ~ 2	○
052	0 ~ 25	0 ~ 25	X	0 ~ 2.5	○
148	X	X	0 ~ 400	X	○
054	0 ~ 35	X	X	0 ~ 3.5	○
151	X	0 ~ 40	X	0 ~ 4	○
152	X	X	0 ~ 600	X	○
055	0 ~ 50	X	X	0 ~ 5	○
155	X	X	0 ~ 800	X	○
056	X	0 ~ 60	X	0 ~ 6	○
057	0 ~ 70	X	0 ~ 1000	0 ~ 7	○
058	0 ~ 100	0 ~ 100	0 ~ 1500	0 ~ 10	○
170	X	X	0 ~ 2000	X	○
059	0 ~ 150	X	X	0 ~ 15	○
060	X	0 ~ 160	X	0 ~ 16	○
172	X	0 ~ 210	0 ~ 3000	0 ~ 21	○
062	0 ~ 250	0 ~ 250	X	0 ~ 25	○

○ : Available X : Not available