

MINIATURE PRESSURE GAUGE

MODEL : P235 SERIES



SERVICE INTENDED

P235 is a miniature pressure gauge, and it is designed to be installed in a narrow and tight place where it is impossible for general type gauges to be placed. Especially, it is designed for small machines such as a positioner. P235 is made of stainless steel to provide a strong resistance against corrosion, and shows an excellent protection against vibration.

NOMINAL DIAMETER

35mm

ACCURACY

±3.0% of Full Scale

SCALE RANGE (bar,Kpa,Mpa)

0 ~ 0.2Mpa to 0 ~ 3.5Mpa

WORKING PRESSURE

Steady : 75% of Full Scale

Over Range Protection : 130% of Full Scale

WORKING TEMPERATURE

Ambient : -20 ~ 65 °C

Medium : +200 °C maximum



Standard Features

PRESSURE CONNECTION

Stainless Steel (316SS)

ELEMENT MAT'L

"C" Type Bourdon Tube :

Stainless Steel (316SS)

CASE

Stainless Steel (304SS)

RING & WINDOW

Twist-lock Polycarbonate

MOVEMENT

Stainless Steel (304SS)

DIAL

White Aluminium with

Black Graduations

POINTER

Aluminium alloy, Black painted

PROCESS CONNECTION

1/8", 1/4" PT, NPT & PF

ORDERING INFORMATION

BASE MODEL

P235 : MINIATURE PRESSURE GAUGE

NOMINAL DIAMETER

0 : 35mm

MOUNTING TYPE

- A : Bottom Connection, Direct,
- E : Center Back Connection, Direct

ACCURACY

6 : ±3.0 % of Full Scale

CONNECTION

- B : 1/8"
- C : 1/4"

CONNECTION TYPE

- B : PF
- C : PT
- D : NPT
- Z : Other

UNIT

Refer to Pressure Unit & Range Table

RANGE

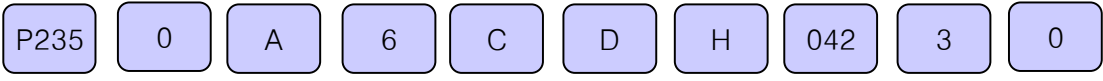
Refer to Pressure Unit & Range Table

DIAL COLOR

- 3 : 2 Colors
- 7 : 3 Colors

OPTION

- 0 : None
- 1 : Accessories



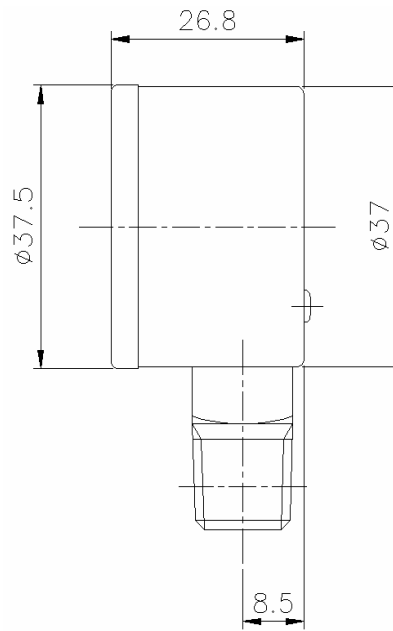
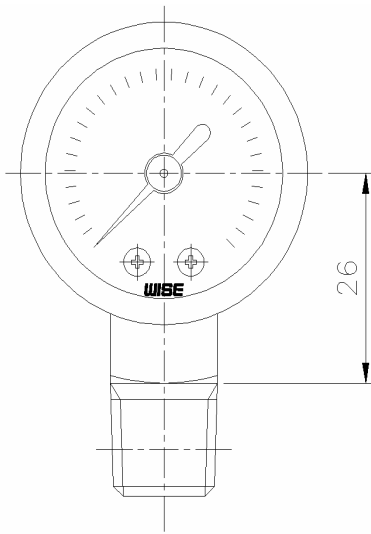
PRESSURE Unit & RANGE TABLE

Range & Code	Unit & Code		
	H : bar	J : kPa	I : MPa
042	0 ~ 2	○	○
043	0 ~ 3	○	○
044	0 ~ 4	○	○
045	0 ~ 6	○	○
047	0 ~ 10	○	○
050	0 ~ 15	×	○
051	0 ~ 20	×	○
052	0 ~ 25	×	○
054	0 ~ 35	×	○

○ : AVAILABLE, × : NOT AVAILABLE

P235 : TYPE OF MOUNTING

CODE A



CODE F

