

ANTI-CORROSION PRESSURE GAUGE

MODEL : P870 SERIES



SERVICE INTENDED

Superior chemical resistant and non-viscous pressure gauge that uses fluorine resin at the wetted parts. Use it with highly corrosive fluids. The case material is PP resin and resistance to corrosive environments has been consideration.

NOMINAL DIAMETER

50mm

ACCURACY

±1.5% of Full Scale at 23 °C (range 0.6Mpa or over)

±2.0% of Full Scale at 23 °C (range 0.4Mpa or less)

SCALE RANGE (bar,kpa,Mpa)

0 ~ 0.1Mpa to 0 ~ 1Mpa

-0.1 ~ 0 MPa

WORKING PRESSURE

Steady : 75% of Full Scale

OPERATING TEMPERATURE LIMITS

10 ~ 30 °C



Standard Features

PRESSURE CONNECTION

Fluorine resin (PTFE)

ELEMENT MAT'L

Bellows : Fluorine resin (PFA)

CASE & COVER

PP resin

WINDOW

Twist-lock PET resin

MOVEMENT

Brass

DIAL

White Aluminium with
Black Graduations

POINTER

Aluminium alloy, Black painted

PROCESS CONNECTION

3/8" PT, PF . Tube (Please consult about other connection)

TREATMENT

Assembly & adjustment : clean room(class 10000)

Leak test : He leak test

Treatment : Use no oil and water

Packing : after N₂ gas flushing, clean polyethylene hermetical sealed packaging

ORDERING INFORMATION

BASE MODEL

P870 : ANTI-CORROSION PRESSURE GAUGE

NOMINAL DIAMETER

1: 50mm

MOUNTING TYPE

A : Bottom Connection, Direct,

ACCURACY

4 : ±1.5 % of Full Scale

5 : ±2.0 % of Full Scale

CONNECTION

D3 : PF 3/8"

D8 : PT 3/8"

TA : TUBE 1/4" × 5/32"

TB : TUBE 3/8" × 1/4"

TC : TUBE 1/2" × 3/8"

TN : TUBE 6mm × 4mm

TM : TUBE 8mm × 6mm

UNIT

Refer to Pressure Unit & Range Table

RANGE

Refer to Pressure Unit & Range Table

DIAL COLOR

9 : 3 Colors

OPTION

0 : None

1 : Accessories



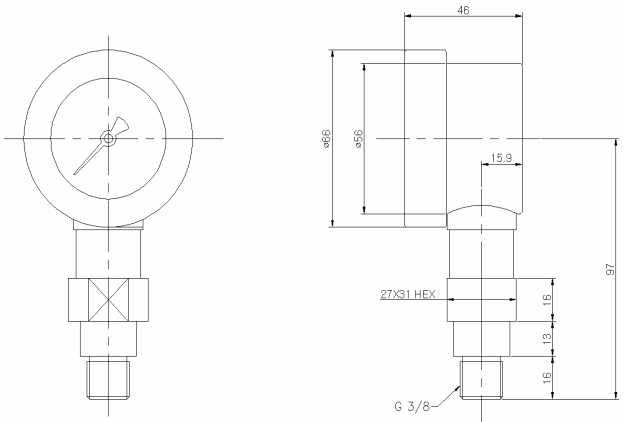
PRESSURE Unit & RANGE TABLE

Range & Code	Unit & Code		
H : bar	J : kPa	I : MPa	
026	-1~0	○	○
041	0 ~ 1	○	○
042	0 ~ 2	○	○
044	0 ~ 4	○	○
045	0 ~ 6	○	○
047	0 ~ 10	○	○

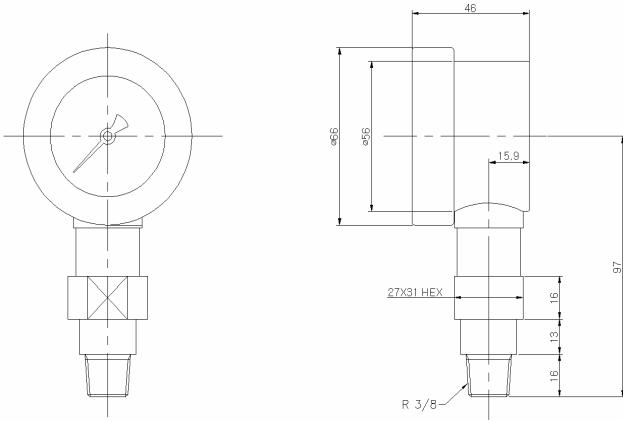
○ : AVAILABLE, × : NOT AVAILABLE

P870 : TYPE OF MOUNTING

CODE: D3



CODE: D8



CODE:TA~TM

Code No	do	di
TA	1/4"	5/32"
TB	3/8"	1/4"
TC	1/2"	3/8"
TN	6	4
TM	8	6

