

**DIAPHRAGM SEALS TYPE PRESSURE GAUGE
SCREWED PROCESS CONN. MODEL : P710 SERIES
" I" TYPE PROCESS CONN. MODEL : P720 SERIES
FLAT TYPE FLANGE PROCESS CONN. MODEL : P730 SERIES**

WISE[®]

SERVICE INTENDED

Where the process medium would corrode the instrument connection and pressure sensing element.

Where the process medium contains suspended solids or is sufficiently viscous to clog the instrument connection and pressure sensing element.

Where the process medium might freeze or solidify in the instrument connection and pressure sensing element due to ambient or process temperature change.

Where the process medium requires flushing from the system to prevent contamination.

DESIGN

Internal Diaphragm

ACCURACY

Refer to Gauge Model

SUITABLE PRESSURE RANGE (kgf/cm², bar, kPa, MPa)

-76cmHg ~ 0 to -76cmHg ~ 20kgf/cm²

0 ~ 1 to 0 ~ 350kgf/cm²

FILLING LIQUID

Silicon Oil KF96(-20~200°C)

WORKING TEMPERATURE

Temperature rating of the diaphragm seals depend on the fill fluid, the diaphragm material and the lower housing material. Standard fill fluids are available for temperature ranges from -20°C to 200°C

DIAPHRAGM MATERIAL

Diaphragms are available in many corrosion resistant materials. Compatibility of selected material and process fluid is the responsibility of user.



P710

P720



P730

Standard Features

UPPER FLANGE (GAUGE SIDE)

Stainless Steel (304SS, 316SS)

DIAPHRAGM

316LSS, Monel, Hastelloy-C
Titanium, Tantalum, Nickel

UNDER FLANGE(PROCESS SIDE)

Stainless Steel (304SS, 316SS, 316LSS)
Monel, Hastelloy-C, Titanium

PROCESS CONNECTION

Model P710 : PT and NPT, Others Feasible

Model P720, P730 : Flanges to ANSI, JIS or other Standard

OPTIONAL EXTRAS

-Diaphragm and lower flange are available in PTFE Coating or PTFE Lining (See Note)

-Lower body (Process side) are available in purging plug or Heater jacket.

NOTE

-PTFE Lining is available up to 100kgf/cm² for P720 and P730 Series.

ORDERING INFORMATION

BASE MODEL

- P711 : SCREWED PROCESS CONNECTION DIAPHRAGM SEAL**
- P712 : SCREWED PROCESS CONNECTION REMOTE DIAPHRAGM SEAL**
- P721 : "I" TYPE FLANGE PROCESS CONNECTION DIAPHRAGM SEAL**
- P722 : "I" TYPE FLANGE PROCESS CONNECTION REMOTE DIAPHRAGM SEAL**
- P731 : FLAT TYPE FLANGE PROCESS CONNECTION DIAPHRAGM SEAL**
- P732 : FLAT TYPE FLANGE PROCESS CONNECTION REMOTE DIAPHRAGM SEAL**

GAUGE MODEL AND MOUNTING TYPE

XX : Refer to Gauge Model and Mounting Type Table

UPPER FLANGE & DIAPHRAGM MATERIAL

- A : 304SS & Alloy20
- B : 304SS & 316LSS
- C : 304SS & Monel
- D : 304SS & Hastelloy -C
- F : 304SS & Tantalum
- G : 304SS & 316LSS + Coating
- H : 304SS & 316LSS + Lining
- J : 316SS & 316LSS
- K : 316SS & Monel
- L : 316SS & Hastelloy -C
- N : 316SS & Tantalum
- P : 316SS & 316LSS + Coating
- Q : 316SS & 316LSS + Lining
- R : Titanium & Titanium
- S : 304SS & Nickel
- T : 316SS & Nickel
- U : 316SS & Alloy20

PROCESS CONNECTION TYPE

XX : Refer to Process Connection Type Table

UNIT

Refer to Pressure Unit & Range Table

RANGE TABLE

Refer to Pressure Unit & Range Table

UNDER FLANGE MATERIAL

- A : Alloy20
- B : 304SS, Not available with Base Model P711, P712
- C : 304LSS
- D : 316SS
- E : 316LSS
- F : Monel
- G : Hastelloy -C
- H : Titanium
- K : Inconel 600
- L : 304SS + Coating
- M : 304SS + Lining
- N : 316SS + Coating
- P : 316SS + Lining
- Q : 316LSS + Lining
- T : Teflon
- R : Nickel
- S : 317SS
- V : PVC
- W : CPVC
- Z : Other

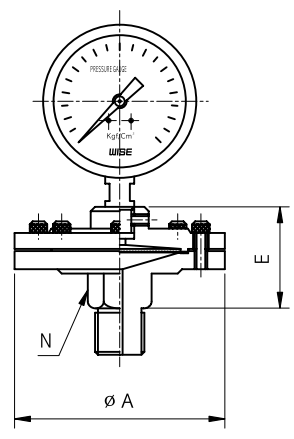
OPTIONS

- 0 : None
- 1 : Accessories
- 7 : Capillary Length 2metre,
Only available with Remote Diaph.Seal
- 8 : Capillary Length 3metre,
Only available with Remote Diaph.Seal
- 9 : Capillary Length 6metre,
Only available with Remote Diaph.Seal

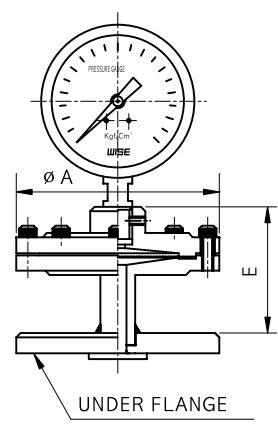
P711	2A	B	ED	B	052	D	0	SAMPLE MODEL NUMBER
------	----	---	----	---	-----	---	---	------------------------------------

P700 : TYPE OF MOUNTING

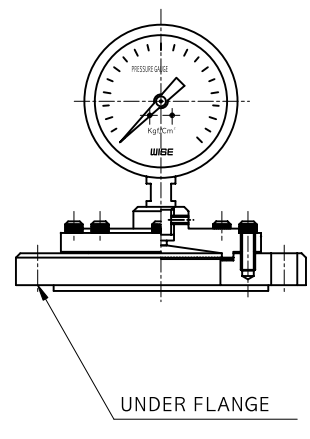
CODE P711



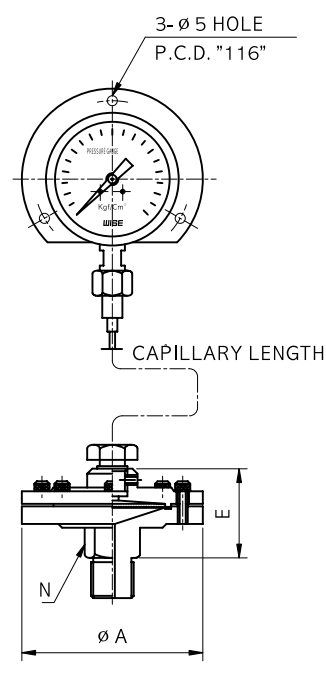
CODE P721



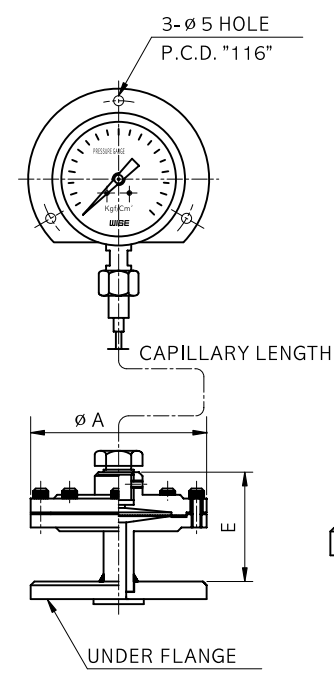
CODE P731



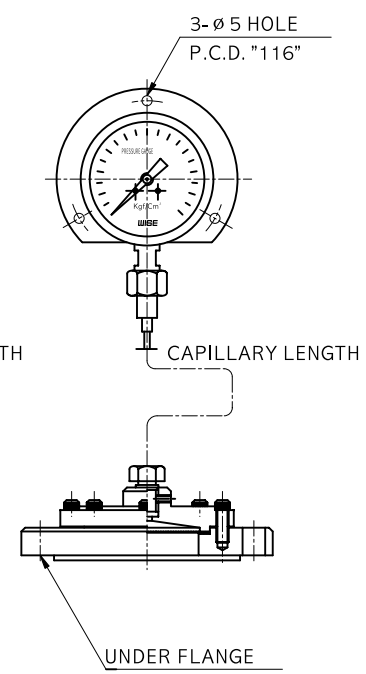
CODE P712



CODE P722



CODE P732



Dimensions (mm)

DIAL SIZE	AVAILABLE CODE	A	E	N	CAPILLARY LENGTH
100	P711,P712	90	53	24	2000,3000,6000(OTHER :)
	P721,P722	90	83		2000,3000,6000(OTHER :)
	P731,P732				2000,3000,6000(OTHER :)

Process Connection Type Table-8th and 9th Characters

8th Character		9th Character			
Code	Connection Size	For Model P711, P712		For Model P721, P722, P731, P732	
		Code	Connection Type	Code	Flange Rating
*C	1/4 "	B	PF	A	JIS 5K RF
*D	3/8 " (10A)	C	PT	B	ANSI 150# RF
E	1/2 " (15A)	D	NPT	C	ANSI 150# FF
F	3/4 " (20A)	E	UNF	D	ANSI 150# RFSF
G	1 " (25A)	F	BSPT	E	ANSI 300# RF
H	1 1/4 " (32A)	G	BSPF	F	ANSI 300# FF
J	1 1/2 " (40A)	H	NPS	G	ANSI 300# RFSF
K	2 " (50A)	J	M	H	ANSI 600# RF
L	2 1/2 " (65A)			I	JIS 5K FF
M	3 " (80A)			J	ANSI 600# FF
N	4 " (100A)			K	ANSI 600# RFSF
P	7/16 "			L	JIS 10K RF
				M	JIS 10K FF
				N	JIS 10K RFSF
				P	JIS 20K RF
				Q	JIS 20K FF
				R	JIS 20K RFSF
				S	JIS 30K RF
				T	JIS 30K FF
				U	JIS 30K RFSF
				V	ANSI 900#RF
				W	JIS 40K RF
				X	JIS 40K FF
				1	ANSI 150# RTJ
				2	ANSI 300# RTJ
				3	ANSI 600# RTJ
				4	ANSI 1500# RF
				5	ANSI 1500# FF
				6	ANSI 1500# RFSF
				7	ANSI 1500# RTJ
				8	ANSI 2500# RTJ
Z	Other	Z	Other	Z	Other

*ONLY AVAILABLE WITH MODEL P711, P712

*CONNECTION SIZE 10A CAN BE APPLY ACCORDING TO JIS STANDARD

Available Gauges Model and Mounting Type Table - 5th and 6th Characters

CODE	MODEL	REMARK	CODE	MODEL	REMARK
3C	P229 150A		AN	P253 100N	Only available Remote Diaphragm Seal Type
6C	P222 114A		AP	P259 100A	
7A	P252 63A		AQ	P259 100B	Only available Remote Diaphragm Seal Type
7B	P252 63B	Only available Remote Diaphragm Seal Type	AS	P259 100N	Only available Remote Diaphragm Seal Type
7F	P252 63F		BA	P330 75A	
7G	P252 63G		BB	P330 75B	Only available Remote Diaphragm Seal Type
7J	P252 63J	Only available Remote Diaphragm Seal Type	BM	P330 75M	Only available Remote Diaphragm Seal Type
7N	P252 63N	Only available Remote Diaphragm Seal Type	CA	P330 150A	
7U	P252 80A		CB	P330 150B	Only available Remote Diaphragm Seal Type
7V	P252 80G		CM	P330 150M	Only available Remote Diaphragm Seal Type
7W	P252 80N	Only available Remote Diaphragm Seal Type	CP	P336 100A	
7X	P252 80B	Only available Remote Diaphragm Seal Type	CQ	P336 100B	Only available Remote Diaphragm Seal Type
7Y	P252 80M	Only available Remote Diaphragm Seal Type	CR	P336 100G	
8A	P252 100A		CS	P336 100M	Only available Remote Diaphragm Seal Type
8B	P252 100B	Only available Remote Diaphragm Seal Type	DA	P339 125B 0.5%	Only available Remote Diaphragm Seal Type
8G	P252 100G		DB	P339 125B 1.0%	Only available Remote Diaphragm Seal Type
8M	P252 100M	Only available Remote Diaphragm Seal Type	DD	P501 100A	
8N	P252 100N	Only available Remote Diaphragm Seal Type	DE	P502 100A	
7P	P258 63A		DF	P503 100A	
7Q	P258 63B	Only available Remote Diaphragm Seal Type	DG	P504 100A	
7R	P258 63J	Only available Remote Diaphragm Seal Type	DH	P505 100A	
7S	P258 63N	Only available Remote Diaphragm Seal Type	DJ	P501 160A	
7T	P258 63G		DK	P502 160A	
8U	P258 80A		DL	P503 160A	
8V	P258 80G		DM	P504 160A	
8W	P258 80N	Only available Remote Diaphragm Seal Type	DN	P505 160A	
8X	P258 80B	Only available Remote Diaphragm Seal Type	EA	P359 125B 0.5%	Only available Remote Diaphragm Seal Type
8P	P258 100A		EB	P359 125B 1.0%	Only available Remote Diaphragm Seal Type
8Q	P258 100B	Only available Remote Diaphragm Seal Type	EC	P257 100A	
8R	P258 100M	Only available Remote Diaphragm Seal Type	ED	P511 100A	
8S	P258 100N	Only available Remote Diaphragm Seal Type	EE	P512 100A	
8T	P258 100G		EF	P513 100A	
9A	P253 63A		EG	P514 100A	
9B	P253 63B	Only available Remote Diaphragm Seal Type	EH	P515 100A	
9F	P253 63F	Only available Remote Diaphragm Seal Type	EK	P512 100B	Only available Remote Diaphragm Seal Type
9J	P253 63J	Only available Remote Diaphragm Seal Type	EJ	P511 100B	Only available Remote Diaphragm Seal Type
9N	P253 63N	Only available Remote Diaphragm Seal Type	FE	P521 100A	
AA	P253 100A		HE	P522 100A	
AB	P253 100B	Only available Remote Diaphragm Seal Type	KE	P523 100A	

Available Gauges Model and Mounting Type Table - 5th and 6th Characters

CODE	MODEL	REMARK	CODE	MODEL	REMARK
ME	P524 100A		PA	P535 100B	Only available Remote Diaphragm Seal Type
NE	P525 100A		PB	P535 150B	Only available Remote Diaphragm Seal Type
FF	P521 100B	Only available Remote Diaphragm Seal Type	QA	P536 100B	Only available Remote Diaphragm Seal Type
HF	P522 100B	Only available Remote Diaphragm Seal Type	QB	P536 150B	Only available Remote Diaphragm Seal Type
KF	P523 100B	Only available Remote Diaphragm Seal Type	QC	P537 100B	Only available Remote Diaphragm Seal Type
MF	P524 100B	Only available Remote Diaphragm Seal Type	RA	P620 100D	Only available Remote Diaphragm Seal Type
NF	P525 100B	Only available Remote Diaphragm Seal Type	RB	P620 150D	Only available Remote Diaphragm Seal Type
FG	P521 100G		RC	P621 150D	Only available Remote Diaphragm Seal Type
HG	P522 100G		RD	P622 150D	Only available Remote Diaphragm Seal Type
KG	P523 100G		RE	P623 150D	Only available Remote Diaphragm Seal Type
MG	P524 100G		RF	P624 150D	Only available Remote Diaphragm Seal Type
NG	P525 100G		RG	P625 150D	Only available Remote Diaphragm Seal Type
FN	P521 100N	Only available Remote Diaphragm Seal Type	RH	P641 150D	Only available Remote Diaphragm Seal Type
GN	P522 100N	Only available Remote Diaphragm Seal Type	RJ	P642 150D	Only available Remote Diaphragm Seal Type
HN	P523 100N		RK	P621 100D	Only available Remote Diaphragm Seal Type
FA	P531 100A		RL	P622 100D	Only available Remote Diaphragm Seal Type
FB	P531 100B	Only available Remote Diaphragm Seal Type	RM	P623 100D	Only available Remote Diaphragm Seal Type
FL	P531 100L	Only available Remote Diaphragm Seal Type	RN	P624 100D	Only available Remote Diaphragm Seal Type
GA	P531 150A		RP	P644 150D	Only available Remote Diaphragm Seal Type
GL	P531 150M	Only available Remote Diaphragm Seal Type	RQ	P631 150D	Only available Remote Diaphragm Seal Type
HA	P532 100A		TZ	P941	
HB	P532 100B	Only available Remote Diaphragm Seal Type	UZ	P942	
HL	P532 100L	Only available Remote Diaphragm Seal Type	VZ	P951	
JA	P532 150A		WZ	P952	
JB	P532 150B	Only available Remote Diaphragm Seal Type	XA	P252 160A	
JL	P532 150M	Only available Remote Diaphragm Seal Type	XB	P252 160B	Only available Remote Diaphragm Seal Type
KA	P533 100A		XC	P258 160A	
KB	P533 100B	Only available Remote Diaphragm Seal Type	XD	P258 160B	Only available Remote Diaphragm Seal Type
KL	P533 100L	Only available Remote Diaphragm Seal Type	XE	P252 160N	Only available Remote Diaphragm Seal Type
LA	P533 150A		XF	P258 160N	Only available Remote Diaphragm Seal Type
LL	P533 150M	Only available Remote Diaphragm Seal Type	XZ	P953 1B	
MA	P534 100A		XY	P953 2B	
MB	P534 100B	Only available Remote Diaphragm Seal Type	YA	P970	
ML	P534 100L	Only available Remote Diaphragm Seal Type	YB	P990	
NA	P534 150A		RR	P630 100D	
NL	P534 150M	Only available Remote Diaphragm Seal Type	YB	P630 150D	