

**INDICATING TEMPERATURE SWITCH**  
**MODEL : T931(Case Compensation System)**  
**MODEL : T932(Full Compensation System)**



**SERVICE INTENDED**

T930 Series, Temperature Switch, are installed with micro contact type and Local indicator Temperature measurement deadband is fixed.

**NOMINAL DIAMETER**

150mm

**REPEATABILITY**

±1.0% of Adjustable Range

**ACCURACY**

±2.0% of Full Scale

**TEMPERATURE ELEMENT**

Liquid Filled

Organic Gas : -50°C to 600°C

Kerosene : 0 to 200°C

**WORKING RANGE**

Maximum Scale Value



TD09 - 03

**Standard Features**

**LOCATION OF STEM AND MOUNTING**

Bottom Connection, Surface, Case Mounting

**CASE & COVER**

Silver Gray Finished Aluminium

**ELEMENT**

Silver Gray Finished Aluminium

**SWITCH TYPE**

Micro Switch Snap Action

**SWITCH FORM**

One SPDT for single setpoint  
Two SPDT for dual setpoint

**CONTACT RATING**

-AC 125V/250V, 7A  
AC 125V/250V, 7A for Resistance Load  
AC 125V/250V, 4A for Inductive Load

**CONDUIT CONNECTION**

1/2", 3/4" PF

**STEM OUT DIA.**

8.0, 10.0 and 12.0mm  
316SS

**STEM CONNECTION**

3/8", 1/2", 3/4" PT or NPT

**OPTION**

Special Accuracy : ±1.0% of Full Scale

# ORDERING INFORMATION

**BASE MODEL**

**T931 : INDICATING TEMPERATURE SWITCH (Case compensation system)**

**T932 : INDICATING TEMPERATURE SWITCH (Full compensation system)**

**NOMINAL DIAMETER**

- 1 : One SPDT contact for single setpoint
- 2 : Two SPDT contact for dual setpoint

**TYPE OF MOUNTING**

- B : Bottom Connection, Surface, Case Mounting Plate

**STEM MATERIAL**

- 1 : 316SS

**CONNECTION**

- D : 3/8"
- E : 1/2"
- F : 3/4"

**CONNECTION TYPE (CF : Compression Fitting)**

- C : PT
- D : NPT
- E : CF + PT
- F : CF + NPT

**STEM OUT DIA.**

- 2 : 8.0mm
- 3 : 10.0mm
- 4 : 12.0mm

**RANGE(Refer to Scale Range Table)**

XXX

**STEM LENGTH  
(If direct mounting,  
Specify Stem Length Code)**

- P : 2 metre
- Q : 3 metre
- S : 5 metre
- V : 8 metre
- X : 10 metre
- Z : Other

**ACCESSORIES**

- 0 : None
- 1 : Thermowell
- 2 : Special Accuracy  
(±1.0% F.S.)
- 3 : Thermowell & Special Accuracy

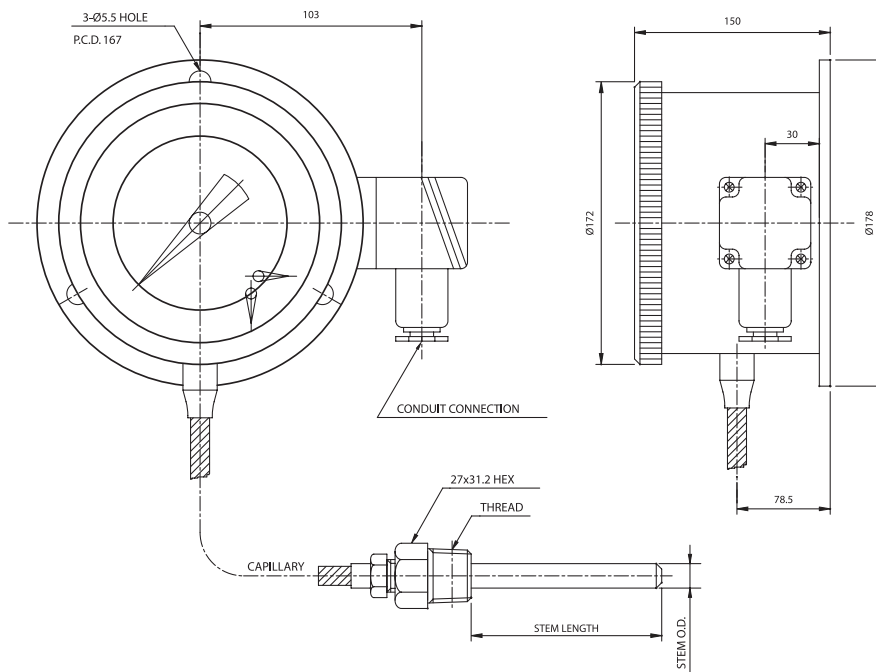


**SAMPLE  
MODEL  
NUMBER**

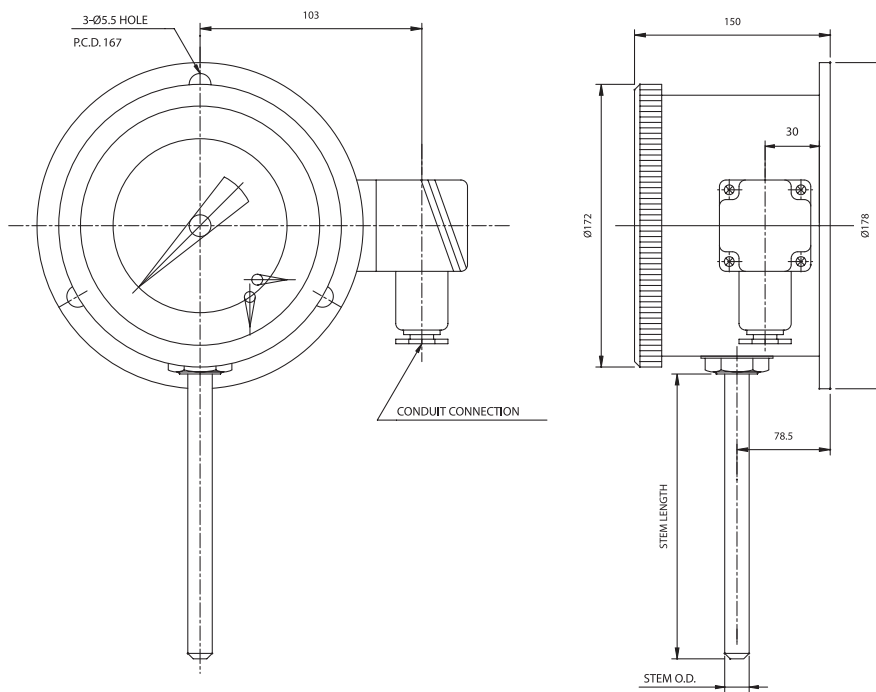
TD09 - 03

# T931, T932 : TYPE OF MOUNTING

CODE B



CODE B



## SCALE RANGES

Code	Scale Range (°C)	Scale Spacing (°C)	Minimum Stem Length (mm)			Standard Stem Length (mm)		
			8.0	10.0	12.0	8.0	10.0	12.0
032	-50~50	2	100	85	65	200	130	130
037	-50~100	5	100	88	65	200	130	130
054	-30~50	2	100	85	65	200	150	130
059	-30~100	2	100	85	65	200	130	130
061	-30~120	5	100	85	65	200	130	130
069	-20~50	2	100	85	65	200	130	130
074	-20~100	2	100	85	65	200	130	130
079	-20~150	5	100	85	65	200	130	130
084	-10~50	1	100	85	65	200	130	130
099	0~50	1	100	85	65	200	130	130
100	0~60	1	100	85	65	200	130	130
101	0~70	2	100	85	65	200	130	130
102	0~80	2	100	85	65	200	130	130
104	0~100	2	100	85	65	200	130	130
106	0~120	2	100	85	65	200	130	130
109	0~150	5	100	85	65	200	130	130
114	0~200	5	100	85	65	200	130	130
119	0~250	5	100	85	65	200	130	130
124	0~300	5	100	45	40	200	130	130
129	0~350	5	100	45	40	200	130	130
134	0~400	10	100	45	40	200	130	130
144	0~500	10	100	45	40	200	130	130
154	0~600	10	100	45	40	200	130	130
164	0~700	10	100	45	40	200	130	130

## STEM LENGTH

Code	1	2	3	4	5	6	7	8	9	A	B	C
Length(mm)	50	60	70	80	100	120	130	150	175	200	225	250

Code	D	E	F	G	H	J	K	L	M	N	P	Z
Length(mm)	275	300	250	375	400	450	500	550	1000	1500	2000	Longer than 2000