

WEATHER PROOF TEMPERATURE SWITCH MODEL : T941, T942

WISE[®]

SERVICE INTENDED

T940 Series, Temperature Switch, are installed with micro contact type suitable for corrosive fluid. Temperature measurement deadband is fixed.

DIMENSIONS

Refer to Drawings Dimensions

REPEATABILITY

±1.0% of Adjustable Range

TEMPERATURE ELEMENT

Liquid Filled
Organic Gas : -50°C to 600°C

WORKING RANGE

Maximum Scale Value



TD09 - 04

Standard Features

LOCATION OF STEM

Bottom Connection, Surface,
Case Mounting

CASE

Silver gray Finished Aluminium (ALDC)

COVER

Silver gray Finished Aluminium (ALDC)

SWITCH TYPE

Micro Switch Snap Action

SWITCH FORM

One SPDT or Two SPDT
DPDT

CONTACT RATING

-AC 125V/250V, 15A and DC 30V, 2A
DC 125V, 0.5A for Resistance Load
-AC 125V/250V, 15A and DC 30V, 1A
DC 125V, 0.05A for Inductive Load

CONDUIT CONNECTION

1/2" or 3/4" PF

STEM OUT DIA.

8.0, 10.0 and 12.0mm
316SS

STEM CONNECTION

3/8", 1/2", 3/4" PT or NPT

ORDERING INFORMATION

BASE MODEL

T941 : WEATHER PROOF TEMPERATURE SWITCH (SINGLE SET-POINT)

T942 : WEATHER PROOF TEMPERATURE SWITCH (DUAL SET-POINT)

UNUSED CHARACTER

9B

STEM MATERIAL

1 : 316SS

PROCESS CONNECTION

D : 3/8"

E : 1/2"

E : 3/4"

CONNECTION (CF : Compression Fitting)

C : PT

D : NPT

E : CF + PT

E : CF + NPT

STEM OUT DIA.

2 : 8.0mm

3 : 10.0mm

4 : 12.0mm

RANGE(Refer to Scale Range Table)

XXX

**CAPILLARY LENGTH
(If direct mounting,
Specify Stem Length Code)**

P : 2 metre

Q : 3 metre

S : 5 metre

V : 8 metre

X : 10 metre

Z : Other

ACCESSORIES

0 : None

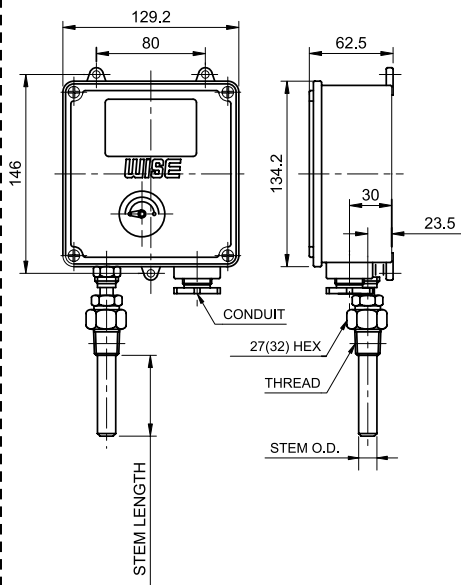
1 : Thermowell



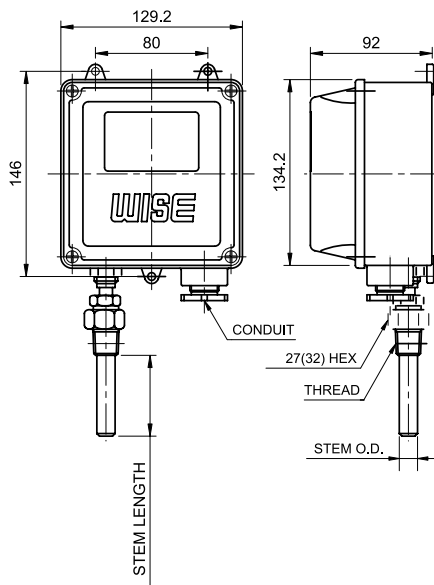
TD09 - 04

T941, T942 : TYPE OF MOUNTING

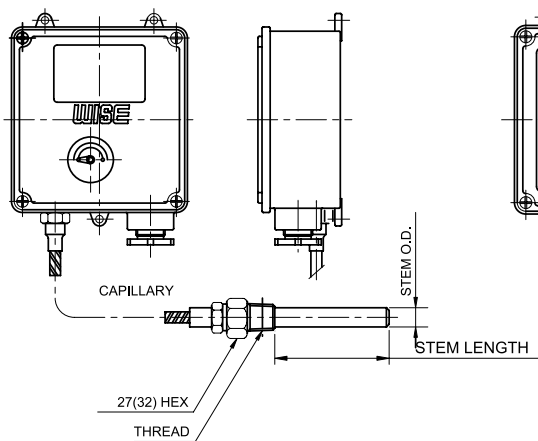
CODE T941



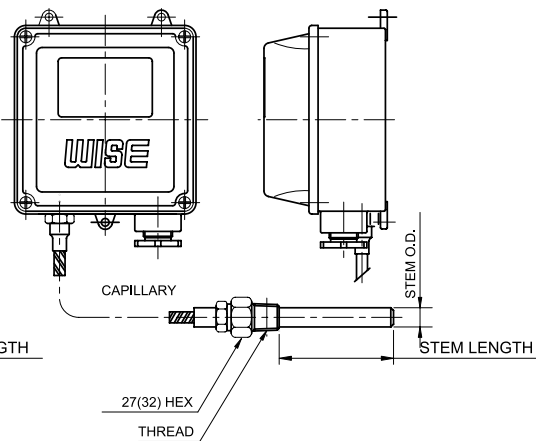
CODE T942



CODE T941*



CODE T942*



SCALE RANGES

Code	Scale Range (°C)	Scale Spacing (°C)	Minimum Stem Length (mm)			Standard Stem Length (mm)		
			8.0	10.0	12.0	8.0	10.0	12.0
032	-50~50	2	100	85	65	200	130	130
037	-50~100	5	100	88	65	200	130	130
054	-30~50	2	100	85	65	200	150	130
059	-30~100	2	100	85	65	200	130	130
061	-30~120	5	100	85	65	200	130	130
069	-20~50	2	100	85	65	200	130	130
074	-20~100	2	100	85	65	200	130	130
079	-20~150	5	100	85	65	200	130	130
084	-10~50	1	100	85	65	200	130	210
099	0~50	1	100	85	65	200	130	210
100	0~60	1	100	85	65	200	130	190
101	0~70	2	100	85	65	200	130	130
102	0~80	2	100	85	65	200	130	130
104	0~100	2	100	85	65	200	130	130
106	0~120	2	100	85	65	200	130	130
109	0~150	5	100	85	65	200	130	130
114	0~200	5	100	85	65	200	130	130
119	0~250	5	100	85	65	200	130	130
124	0~300	5	100	45	40	200	130	130
129	0~350	5	100	45	40	200	130	130
134	0~400	10	100	45	40	200	130	130
144	0~500	10	100	45	40	200	130	130
154	0~600	10	100	45	40	200	130	130
164	0~700	10	100	45	40	200	130	130

STEM LENGTH

Code	1	2	3	4	5	6	7	8	9	A	B	C
Length(mm)	50	60	70	80	100	120	130	150	175	200	225	250

Code	D	E	F	G	H	J	K	L	M	N	P	Z
Length(mm)	275	300	350	375	400	450	500	550	1000	1500	2000	Longer than 2000