
TEMPERATURE RECORDER MODEL : T920

WISE[®]

SERVICE INTENDED

T920 Series Temperature Recorder provide single pen and 10 inch circular chart recorder with the function of measurement and record. It is suitable for hazardous environment such as gas or chemical process.

NOMINAL DIAMETER

250mm

ACCURACY

±2.0% of Full Scale

TEMPERATURE ELEMENT

Liquid Filled

Organic Gas : -50°C to 600°C

WORKING RANGE

Maximum Scale Value



TD09 - 01

Standard Features

LOCATION OF STEM

Bottom Connection, Surface, Case Mounting

CASE

Black Finished Aluminium

COVER

Black Finished Aluminium
Hinged Door

WINDOW

Glass

CHART DRIVE

Spring Wound type
24 Hours Rotation

CHART PAPER

10 inch circular
30 sheets of Chart Paper
furnished with each instrument.

STEM OUT DIA.

8.0, 10.0 and 12.0mm
316SS

STEM CONNECTION

3/8", 1/2", 3/4" PT or NPT

ORDERING INFORMATION

BASE MODEL

T920 : TEMPERATURE RECORDER

NOMINAL DIAMETER

8 : 250mm

TYPE OF MOUNTING

B : Bottom Connection, Surface, Case Mounting Plate

STEM MATERIAL

1 : 316SS

CONNECTION

D : 3/8"
E : 1/2"
F : 3/4"

CONNECTION TYPE (CF : Compression Fitting)

C : PT
D : NPT
E : CF + PT
F : CF + NPT

STEM OUT DIA.

2 : 8.0mm
3 : 10.0mm
4 : 12.0mm

RANGE(Refer to Scale Range Table)

XXX

CAPILLARY LENGTH

P : 2 metre
Q : 3 metre
S : 5 metre
V : 8 metre
X : 10 metre
Z : Other

ACCESSORIES

0 : None
1 : Thermowell

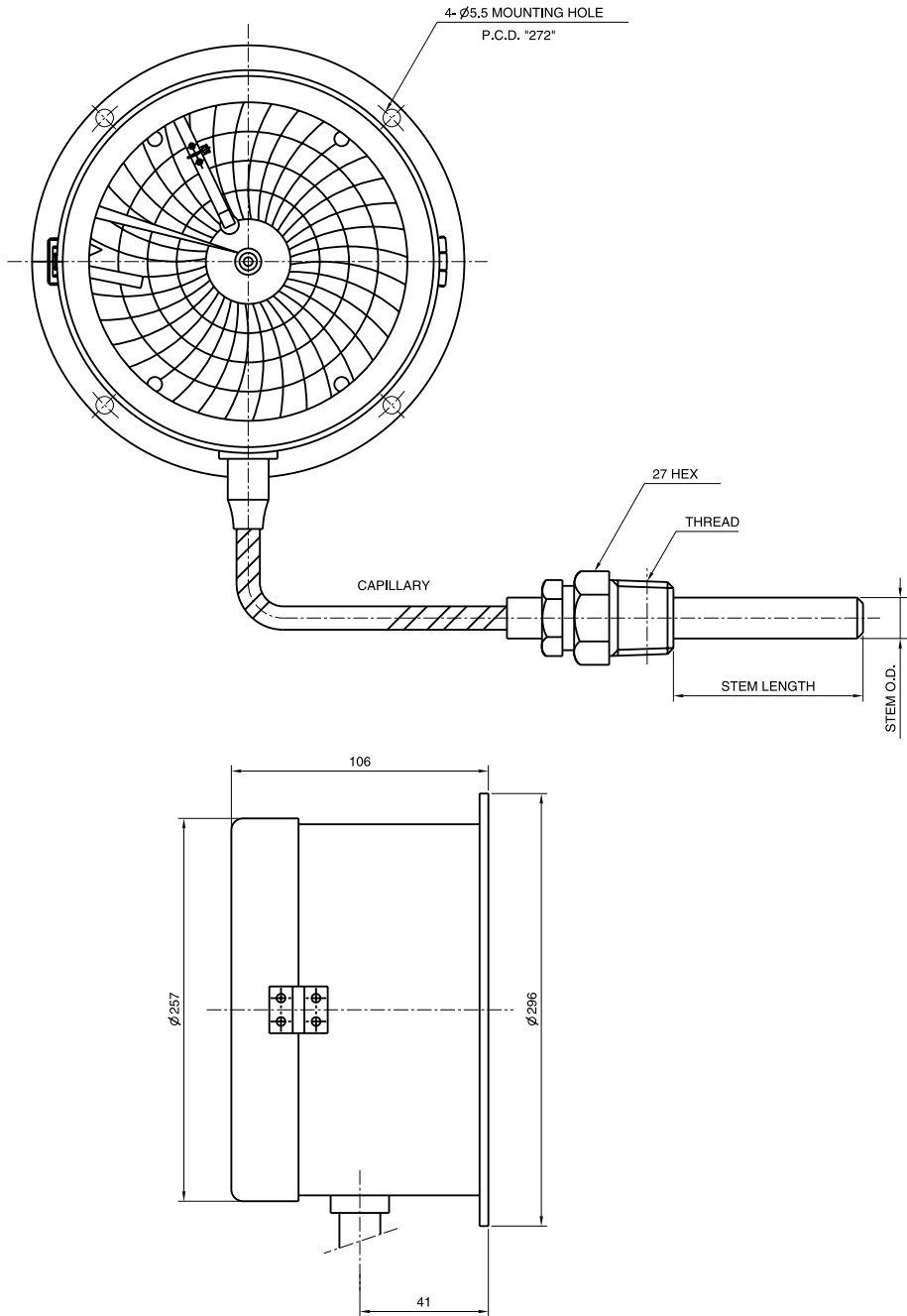


**SAMPLE
MODEL
NUMBER**

TD09 - 01

T920 : TYPE OF MOUNTING

CODE B



SCALE RANGES

Code	Scale Range (°C)	Scale Spacing (°C)	Minimum Stem Length (mm)			Standard Stem Length (mm)		
			8.0	10.0	12.0	8.0	10.0	12.0
032	-50~50	2	100	85	65	200	130	130
037	-50~100	5	100	88	65	200	130	130
054	-30~50	2	100	85	65	200	150	130
059	-30~100	2	100	85	65	200	130	130
061	-30~120	5	100	85	65	200	130	130
069	-20~50	2	100	85	65	200	130	130
074	-20~100	2	100	85	65	200	130	130
079	-20~150	5	100	85	65	200	130	130
084	-10~50	1	100	85	65	200	130	210
099	0~50	1	100	85	65	200	130	210
100	0~60	1	100	85	65	200	130	190
101	0~70	2	100	85	65	200	130	130
102	0~80	2	100	85	65	200	130	130
104	0~100	2	100	85	65	200	130	130
106	0~120	2	100	85	65	200	130	130
109	0~150	5	100	85	65	200	130	130
114	0~200	5	100	85	65	200	130	130
119	0~250	5	100	85	65	200	130	130
124	0~300	5	100	45	40	200	130	130
129	0~350	5	100	45	40	200	130	130
134	0~400	10	100	45	40	200	130	130
144	0~500	10	100	45	40	200	130	130
154	0~600	10	100	45	40	200	130	130
164	0~700	10	100	45	40	200	130	130