

TEMPERATURE RECORDER MODEL : T930

WISE®

SERVICE INTENDED

T930 Series Temperature Recorder provide single pen and 200mm circular chart recorder with the function of measurement and record. It is suitable for hazardous environment such as gas or chemical process.

NOMINAL DIAMETER

246(W) × 271(H)

ACCURACY

±2.0% of Full Scale

TEMPERATURE ELEMENT

Liquid Filled

Organic Gas : -50°C to 600°C

WORKING RANGE

Maximum Scale Value



TD09 - 02

Standard Features

LOCATION OF STEM

Bottom Connection, Surface, Case Mounting

CASE & COVER

ALDC

WINDOW

Acrylic Resin

CHART DRIVE

Spring Wound type

24 Hours or 168(70DAY) Hours Rotation

CHART PAPER

200mm circular

MOUNTING

Surface

STEM OUT DIA.

8.0, 10.0 and 12.0mm
316SS

STEM CONNECTION

3/8", 1/2", 3/4" PT or NPT

ORDERING INFORMATION

BASE MODEL

T930 : TEMPERATURE RECORDER

NOMINAL DIAMETER

9 : 246(w)×271(H)

TYPE OF MOUNTING

B : Bottom Connection, Surface, Case Mounting Plate

STEM MATERIAL

1 : 316SS

CONNECTION

- D : 3/8"
- E : 1/2"
- F : 3/4"

CONNECTION TYPE (CF : Compression Fitting)

- C : PT
- D : NPT
- E : CF + PT
- F : CF + NPT

STEM OUT DIA.

- 2 : 8.0mm
- 3 : 10.0mm
- 4 : 12.0mm

RANGE(Refer to Scale Range Table)

XXX

CAPILLARY LENGTH

If direct mounting, Specify Stem Length Code
P : 2 metre
Q : 3 metre
S : 5 metre
V : 8 metre
X : 10 metre
Z : Other

ACCESSORIES

- 0 : None
- 1 : Thermowell

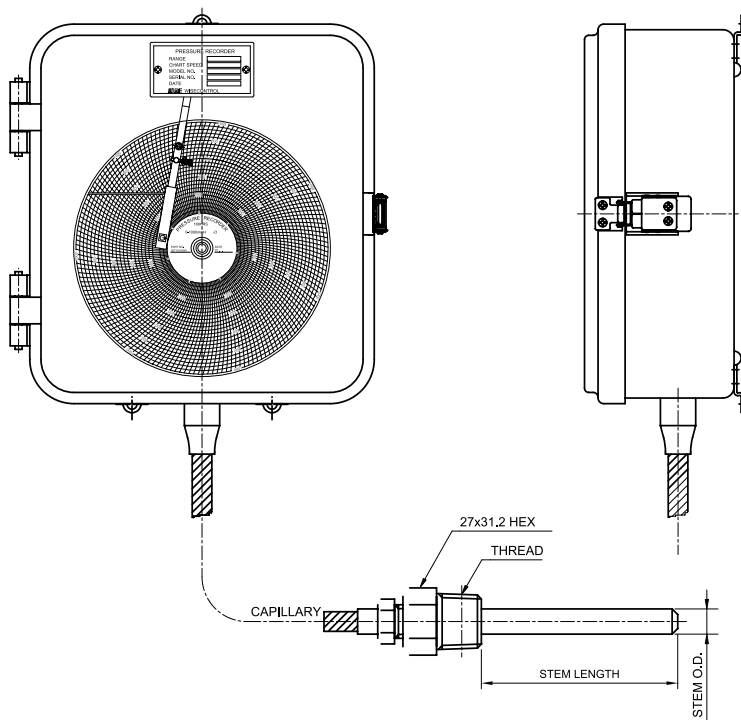


SAMPLE MODEL NUMBER

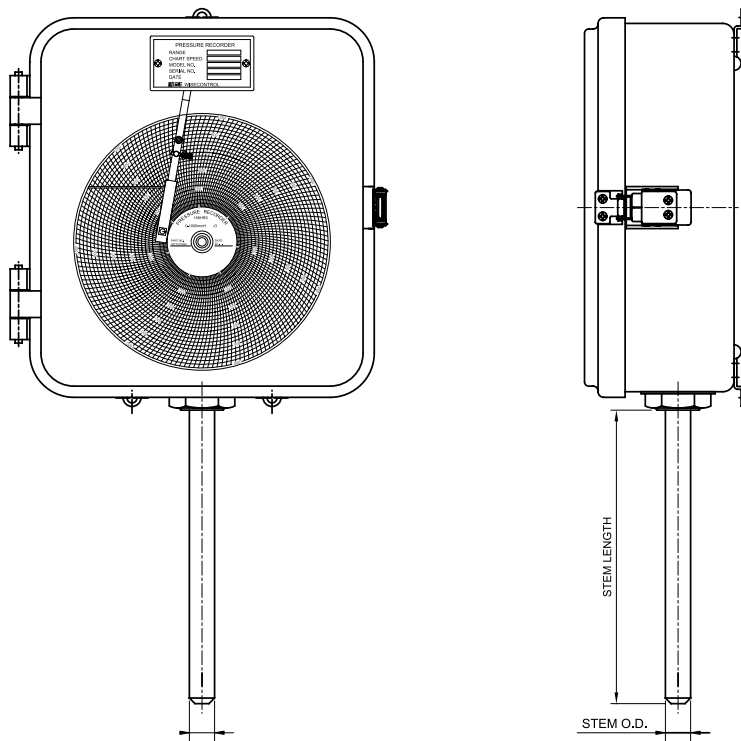
TD09 - 02

T930 : TYPE OF MOUNTING

CODE B



CODE B



SCALE RANGES

Code	Scale Range (°C)	Scale Spacing (°C)	Minimum Stem Length (mm)			Standard Stem Length (mm)		
			8.0	10.0	12.0	8.0	10.0	12.0
032	-50~50	2	100	85	65	200	130	130
037	-50~100	5	100	88	65	200	130	130
054	-30~50	2	100	85	65	200	150	130
059	-30~100	2	100	85	65	200	130	130
061	-30~120	5	100	85	65	200	130	130
069	-20~50	2	100	85	65	200	130	130
074	-20~100	2	100	85	65	200	130	130
079	-20~150	5	100	85	65	200	130	130
084	-10~50	1	100	85	65	200	130	210
099	0~50	1	100	85	65	200	130	210
100	0~60	1	100	85	65	200	130	190
101	0~70	2	100	85	65	200	130	130
102	0~80	2	100	85	65	200	130	130
104	0~100	2	100	85	65	200	130	130
106	0~120	2	100	85	65	200	130	130
109	0~150	5	100	85	65	200	130	130
114	0~200	5	100	85	65	200	130	130
119	0~250	5	100	85	65	200	130	130
124	0~300	5	100	45	40	200	130	130
129	0~350	5	100	45	40	200	130	130
134	0~400	10	100	45	40	200	130	130
144	0~500	10	100	45	40	200	130	130
154	0~600	10	100	45	40	200	130	130
164	0~700	10	100	45	40	200	130	130

STEM LENGTH

Code	1	2	3	4	5	6	7	8	9	A	B	C
Length(mm)	50	60	70	80	100	120	130	150	175	200	225	250

Code	D	E	F	G	H	J	K	L	M	N	P	Z
Length(mm)	275	300	350	375	400	450	500	550	1000	1500	2000	Longer than 2000