

**EURO GAUGE<sup>®</sup>**

**INDUCTIVE CONTACT TYPE TEMPERATURE GAUGE**

**MODEL : T501(H), T502(H/L), T503(L), T504(H/HH)**

**T505(L/LL)**

**WISE<sup>®</sup>**

**SERVICE INTENDED**

Contact Type Temperature Gauge is installed with electric contact actuated by pointer. It provides the function which electrical circuit can be open or closed by manual set point.

It is applicable where signal is required (audible or visual alarm) for control of resistance or any other application with auxiliary relay and contact.

**NOMINAL DIAMETER**

100mm

**ACCURACY**

±2.0% of Full Scale

**TEMPERATURE ELEMENT**

Liquid Filled

Organic Gas : -50°C to 600°C

KEROSENE : -50°C to 200°C

**WORKING RANGE**

Maximum Scale Value



TD05 - 01

**Standard Features**

**LOCATION OF STEM**

Bottom Connection, Surface, Case Mounting

**CASE & BEZEL RING**

Stainless Steel 1.4301

Bayonet Type

**WINDOW**

Safety Glass

**DIAL**

White Aluminium with

Black Graduations

**CAPILLARY**

Capillary : 1.6/0.2mm, 316SS

Armored tube : 6.6/4.5mm, 304SS

**CONTACTS**

Maximum Voltage : 250V AC

Contact Rating : AC 220V, 0.25A

DC 100V, 0.5A

with Max. No of Contact : 2 Sets per Gauge

**POINTER**

Aluminum alloy,

Black painted

**STEM OUT DIA.**

8.0, 10.0 & 12.0mm

316SS

**STEM CONNECTION**

3/8", 1/2", 3/4" PT or NPT

**OPTION**

Special Accuracy, ±1.0% of Full Scale

# ORDERING INFORMATION

**BASE MODEL**

- T501 : INDUCTIVE CONTACT TYPE TEMPERATURE GAUGE (HIGH ALARM)
- T502 : INDUCTIVE CONTACT TYPE TEMPERATURE GAUGE (HIGH & LOW ALARM)
- T503 : INDUCTIVE CONTACT TYPE TEMPERATURE GAUGE (LOW ALARM)
- T504 : INDUCTIVE CONTACT TYPE TEMPERATURE GAUGE (HIGH & HIHIGH ALARM)
- T505 : INDUCTIVE CONTACT TYPE TEMPERATURE GAUGE (LOW & LOLOW ALARM)

**NOMINAL DIAMETER**

4 : 100mm

**MOUNTING TYPE**

- A : Bottom Connection(Only Direct Mountain)
- B : Bottom Connection, Surface, Case Mountain Plate
- N : Lower Back entry & Panel Mountain

**STEM MATERIAL**

1 : 316SS

**CONNECTION**

- D : 3/8"
- E : 1/2"
- F : 3/4"

**CONNECTION TYPE (CF : Compression Fitting)**

- C : PT
- D : NPT
- E : CF + PT
- F : CF + NPT

**STEM OUT DIA.**

- 2 : 8.0mm
- 3 : 10.0mm
- 4 : 12.0mm (Standard)

**RANGE(Refer to Scale Range Table)**

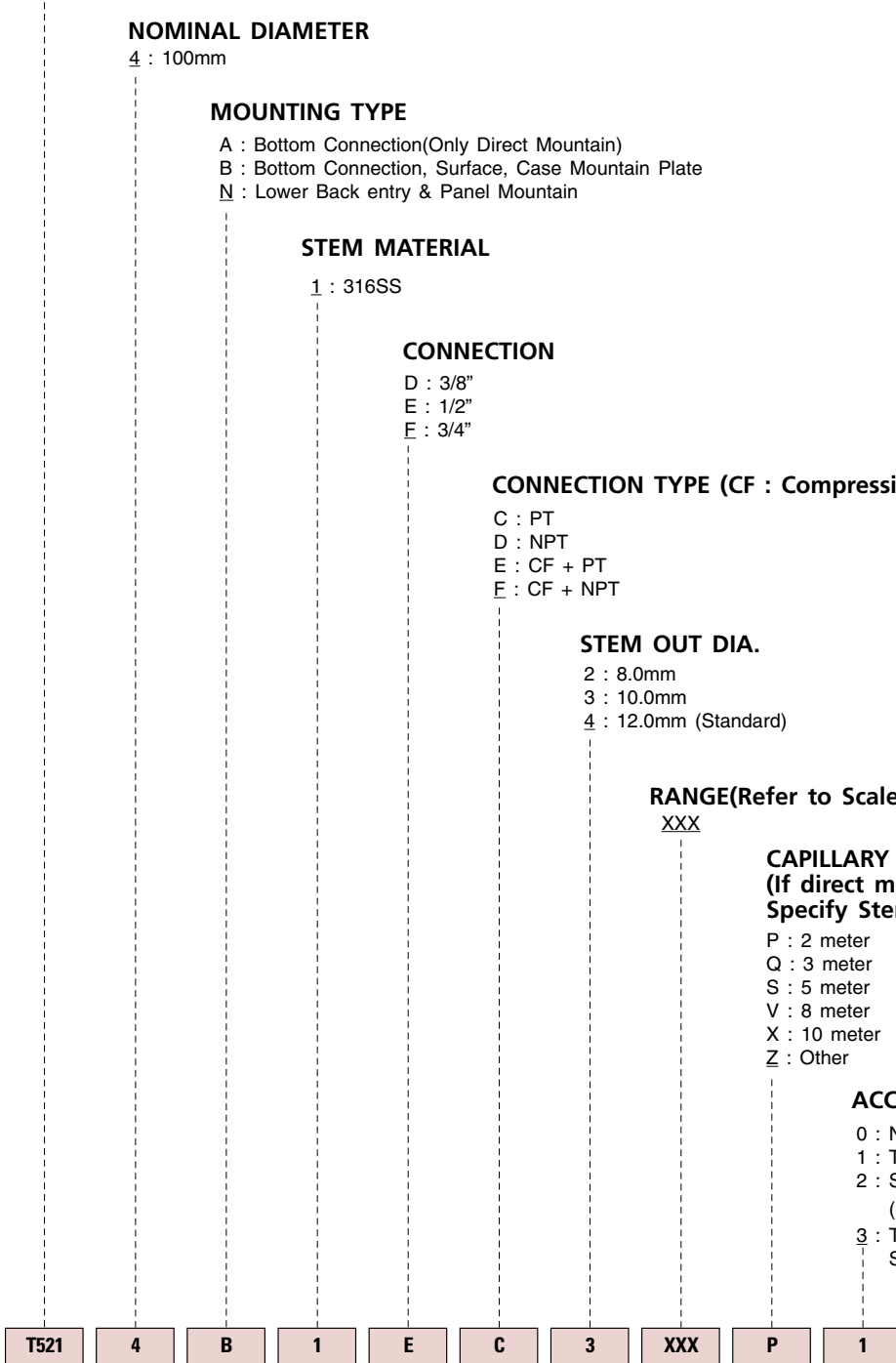
XXX

**CAPILLARY LENGTH  
(If direct mounting,  
Specify Stem Length Code)**

- P : 2 meter
- Q : 3 meter
- S : 5 meter
- V : 8 meter
- X : 10 meter
- Z : Other

**ACCESSORIES**

- 0 : None
- 1 : Thermowell
- 2 : Special Accuracy  
(±1.0% of F.S.)
- 3 : Thermowell &  
Special Accuracy



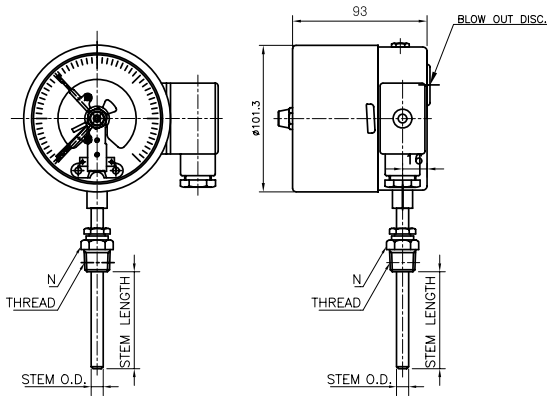
<b>T521</b>	<b>4</b>	<b>B</b>	<b>1</b>	<b>E</b>	<b>C</b>	<b>3</b>	<b>XXX</b>	<b>P</b>	<b>1</b>
-------------	----------	----------	----------	----------	----------	----------	------------	----------	----------

**SAMPLE  
MODEL  
NUMBER**

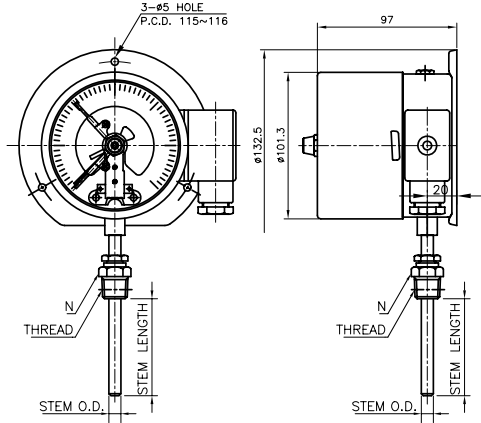
TD05 - 01

# T501 : TYPE OF MOUNTING

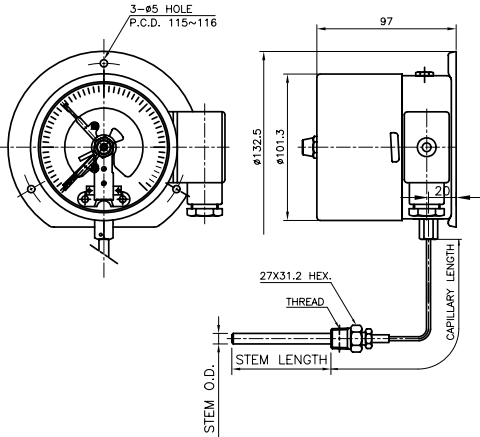
CODE A



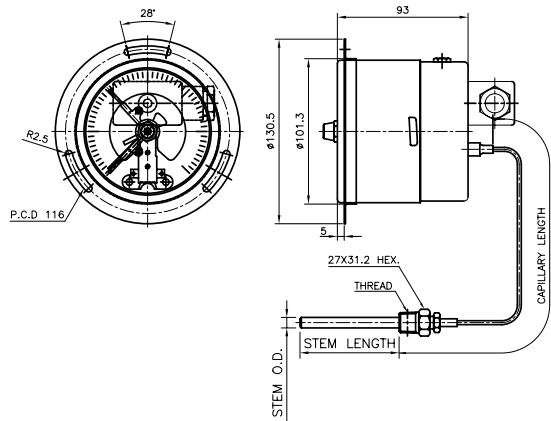
CODE B



CODE B\*



CODE N



# INDUCTIVE CONTACTS

## General

Electromechanical limit switches in pointer type measuring instruments are equipped with electrical distance sensor (proximity sensor).

The output signal is governed by the presence or absence of control vane moved by actual value pointer in the magnetic field of the proximity sensor.

Electronic contact essentially comprise

- an adjustable red set pointer
- a supporting arm which is connected with the erd set pointer and the carries the proximity sensor, and
- a control vane moved by actual value pointer.

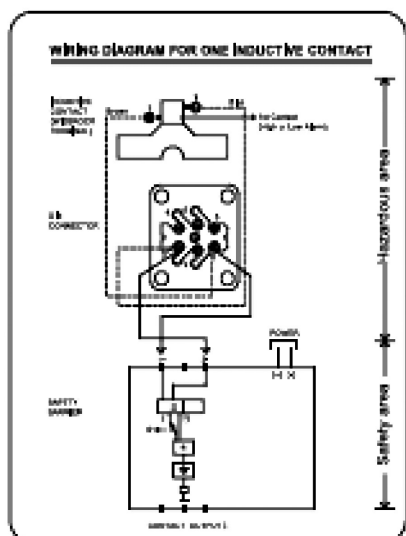
An adjusting lock provided with a separate or fixed key is used for external adjustment of the set pointers of the built-in limit value at which the switching operation is to take place.

## Technical Data

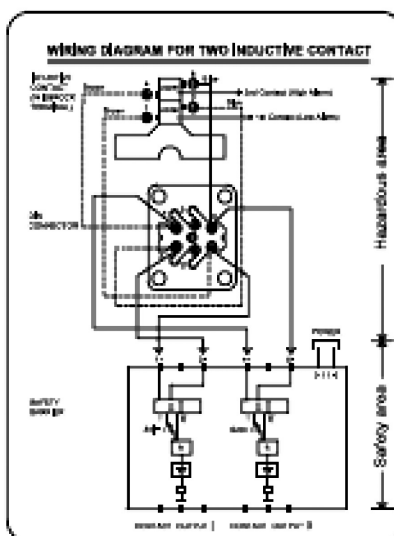
Nominal operating voltage  
 Breaking capacity  
 Switching accuracy  
 Ambient temperature  
 Adjusting range

10 ~ 30V max.  
 less than 100mA  
 approx 0.5% of the full scale value  
 -25°C to 70°C  
 280°max.

# TERMINAL BLOCK ARRANGEMENT



SAFETY SWITCH MODEL	Contact Output I (High or Low Alarm)	POWER
WFAA-SP0101-011 (VAC) WFAA-SP0101-012 (VAC) WFAA-SP0101-013 (DC)		
	NO/COMMON	14X 16C



SAFETY SWITCH MODEL	Contact Output I (Low Alarm)	Contact Output II (High Alarm)	POWER
WFAA-SP0101-011 (VAC) WFAA-SP0101-012 (VAC) WFAA-SP0101-013 (DC)			
	NO/COMMON	NO/COMMON	14X 16C