

BIMETAL THERMOMETER WITH ELECTRICAL CONTACT AND DIN CONNECTOR MODEL : T751, T752, T753, T754

WISE[®]

SERVICE INTENDED

Contact Type Thermometer is installed with electric contact actuated by pointer. It provides the function which electrical circuit can be open or close by manual set point.

It is applicable where signal is required (audible or visual alarm) for control of resistance or any other application with auxiliary relay and contact.

NOMINAL DIAMETER

100mm

ACCURACY

±1.0% of Full Scale (0 up to 200°C)
±2.0% of Full Scale

TEMPERATURE ELEMENT

Bimetal



TD07 - 03

WORKING RANGE

Maximum Scale Value

Standard Features

LOCATION OF STEM AND MOUNTING

- Bottom Connection, Direct
- Centre Back Connection, Direct

CASE
304SS

COVER
304SS

WINDOW
Glass

DIAL

White Aluminium with
Black graduations

POINTER

304SS, Black painted

STEM

6.4, 8.0 and 10.0mm
304SS and 316SS

CONTACTS

Maximum Voltage : 250V AC
Contact Rating : AC 220V, 0.25A/DC
100V, 0.5A

Max. No of Contact : 2 Sets per Gauge

ZERO ADJUSTMENT

By resetting the pointer after
removing the cover

STEM CONNECTION

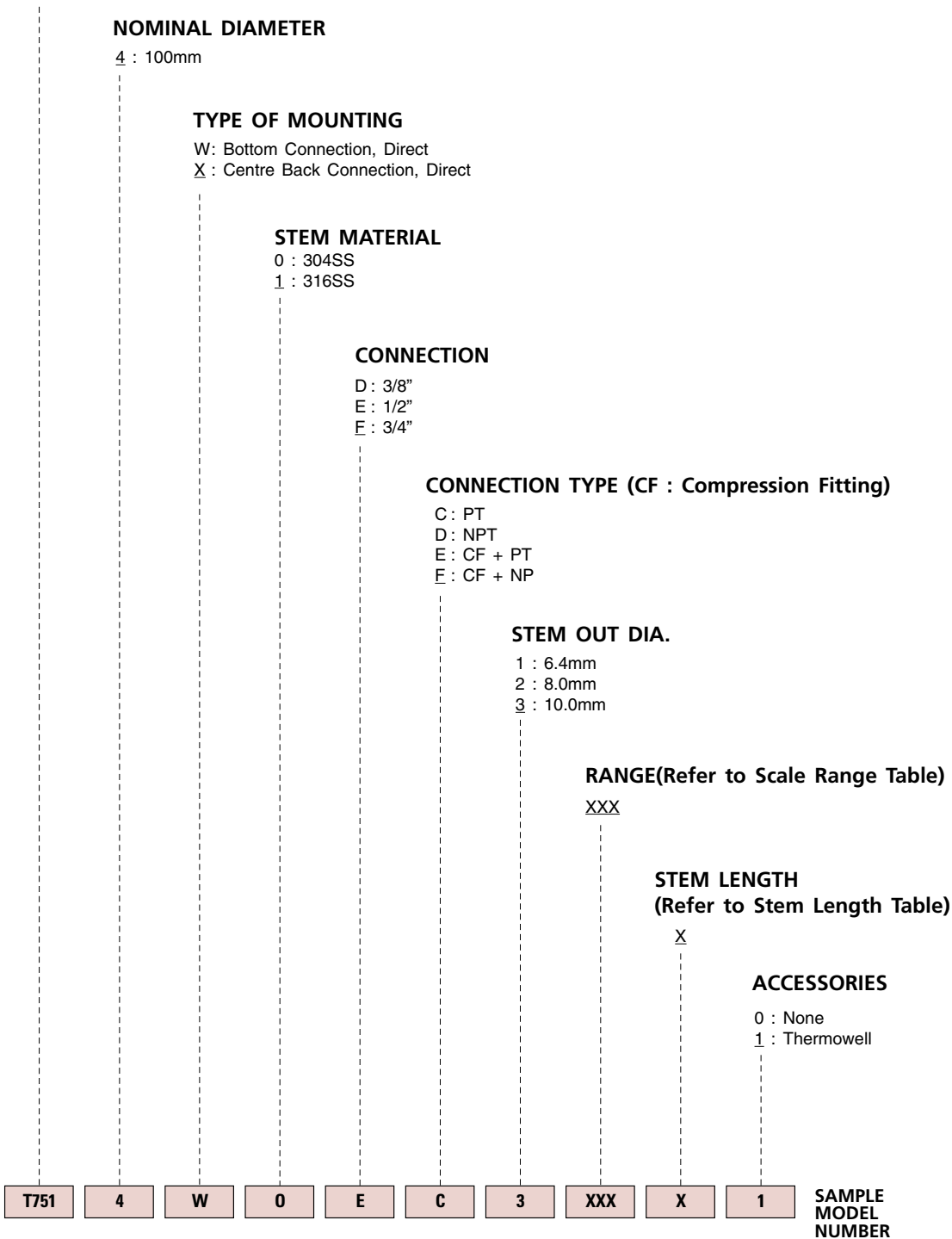
3/8", 1/2", 3/4" PT or NPT

ORDERING INFORMATION

BASE MODEL

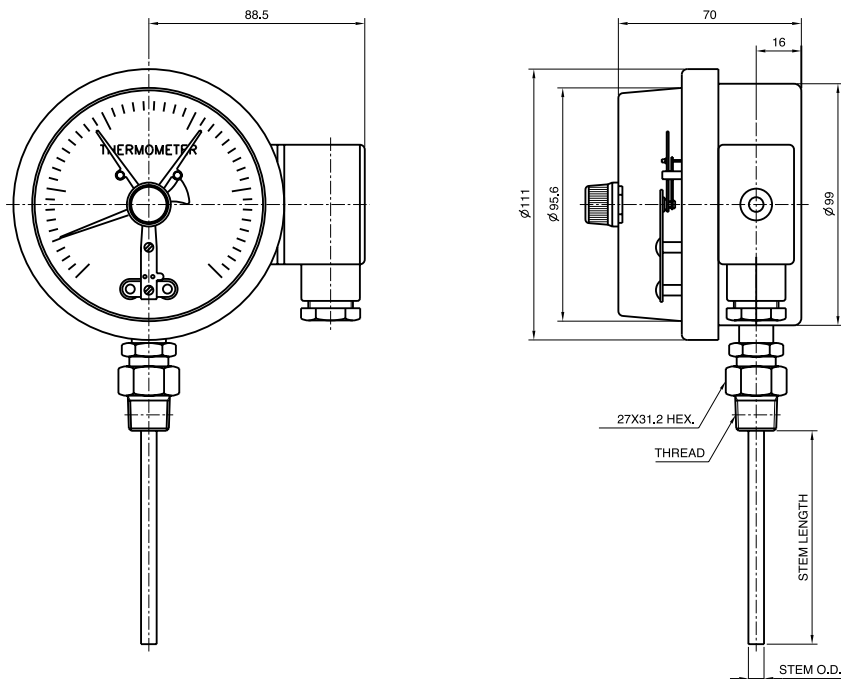
- T751 : BIMETAL THERMOMETER WITH HIGH ALARM CONTACT**
- T752 : BIMETAL THERMOMETER WITH HIGH AND LOW ALARM CONTACT**
- T753 : BIMETAL THERMOMETER WITH LOW ALARM CONTACT**
- T754 : BIMETAL THERMOMETER WITH HIGH AND HIHIGH ALARM CONTACT**

TD07 - 03

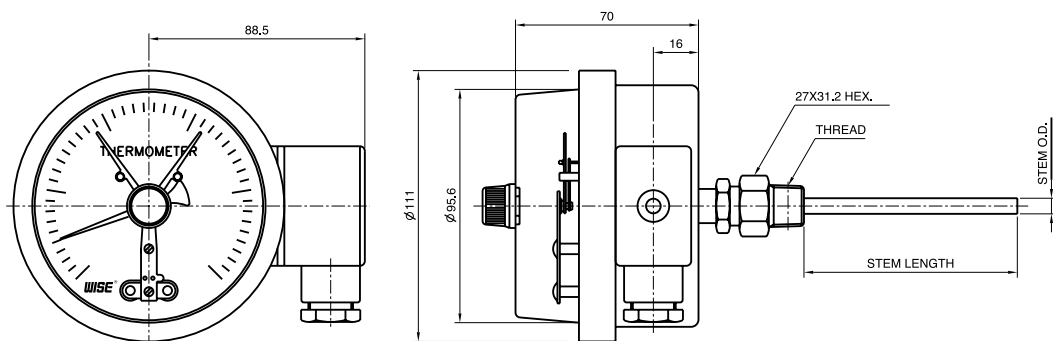


T750 : TYPE OF MOUNTING

CODE W



CODE X



SCALE RANGES

Code	Scale Range (°C)	Scale Spacing(°C)	Minimum Stem Length (mm)	
			6.4	8.0 and 10.0
032	-50~50	2	55	50
037	-50~100	5	45	35
054	-30~50	2	70	60
059	-30~100	5	50	45
061	-30~120	2	45	35
069	-20~50	2	80	70
074	-20~100	2	45	45
079	-20~150	5	40	35
084	-10~50	1	95	80
099	0~50	1	110	70
100	0~60	1	95	80
101	0~70	2	80	60
102	0~80	1	70	90
104	0~100	2	55	50
106	0~120	2	50	45
109	0~150	2	45	35
114	0~200	5	35	35
119	0~250	5	35	30
124	0~300	5	35	25
129	0~350	5	30	25
134	0~400	5	80	65
144	0~500	10	70	60
154	0~600	10	70	60

STEM LENGTH

Code	1	2	3	4	5	6	7	8	9	A	B	C
Length(mm)	50	60	70	80	100	120	130	150	175	200	225	250

Code	D	E	F	G	H	J	K	L	M	N	P	Z
Length(mm)	275	300	350	375	400	450	500	550	1000	1500	2000	Longer than 2000