

DIRECT READING THERMOMETER WITH ALUMINUM CASE AND ELECTRICAL CONTACT

MODEL : T721, T722, T723, T724

WISE[®]

SERVICE INTENDED

Contact Type Thermometer is installed with electric contact actuated by pointer. It provides the function which electrical circuit can be open or close by manual set point. It is applicable where signal is required (audible or visual alarm) for control of resistance or any other application with auxiliary relay and contact.

NOMINAL DIAMETER

100mm

ACCURACY

±1.0% of Full Scale (0 up to 200°C)
±2.0% of Full Scale

TEMPERATURE ELEMENT

Liquid Filled
Organic Gas : -50°C to 600°C

WORKING RANGE

Maximum Scale Value



TD07 - 02

Standard Features

LOCATION OF STEM

Bottom Connection, Surface,
Case Mounting
Lower Back Connection, Direct

CASE

Black Finished Aluminium

COVER

Black Finished Aluminium

WINDOW

Glass

DIAL

White Aluminium with
Black graduations

POINTER

Black Finished Brass

STEM

8.0, 10.0 and 12.0mm
316SS

CONTACTS

Maximum Voltage : 250V AC
Contact Rating : AC 220V, 0.25A/DC
100V, 0.5A
Max. No of Contact : 2 Sets per Gauge

ZERO ADJUSTMENT

By resetting the pointer after
removing the cover

STEM CONNECTION

3/8", 1/2", 3/4" PT or NPT

ORDERING INFORMATION

BASE MODEL

- T721 : DIRECT READING THERMOMETER WITH ALUMINIUM CASE AND HIGH ALARM CONTACT
- T722 : DIRECT READING THERMOMETER WITH ALUMINIUM CASE AND HIGH AND LOW ALARM CONTACT
- T723 : DIRECT READING THERMOMETER WITH ALUMINIUM CASE AND LOW ALARM CONTACT
- T724 : DIRECT READING THERMOMETER WITH ALUMINIUM CASE AND HIGH AND HIHIGH ALARM CONTACT

NOMINAL DIAMETER

- 4 : 100mm
- 6 : 150mm

TYPE OF MOUNTING

- B : Bottom Connection, Surface, Case Mounting Plate
- G : Lower Back Connection, Direct

STEM MATERIAL

- 1 : 316SS

CONNECTION

- D : 3/8"
- E : 1/2"
- F : 3/4"

CONNECTION TYPE (CF : Compression Fitting)

- C : PT
- D : NPT
- E : CF + PT
- F : CF + NPT

STEM OUT DIA.

- 2 : 8.0mm
- 3 : 10.0mm
- 4 : 12.0mm

RANGE(Refer to Scale Range Table)

XXX

STEM LENGTH

(Refer to Stem Length Table)

X

ACCESSORIES

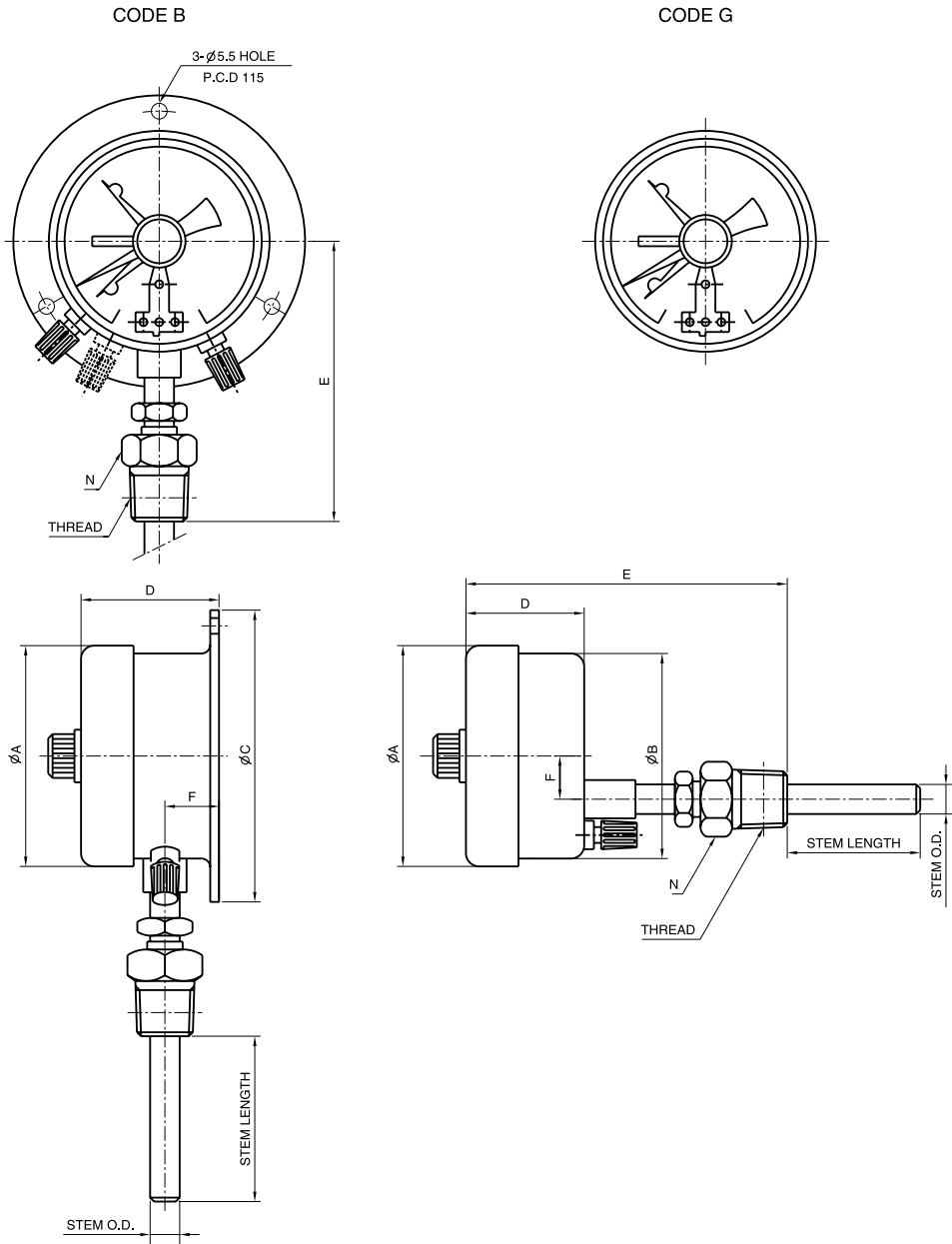
- 0 : None
- 1 : Thermowell



**SAMPLE
MODEL
NUMBER**

TD07 - 02

T720 : TYPE OF MOUNTING



Dimensions (mm)

DIAL SIZE	AVAILABLE CODE	A	B	C	D	E	F	N
100	T721,T723	B	110		128	72.5	148	27x31.2 HEX
	T722,T724		110		128	82.5	148	27x31.2 HEX
	T721,T723	G	110	105		72.5	157.5	27x31.2 HEX
	T722,T724		110	105		82.5	167.5	27x31.2 HEX

SCALE RANGES

Code	Scale Range (°C)	Scale Spacing (°C)	Minimum Stem Length (mm)		
			8.0	10.0	12.0
032	-50~50	2	100	85	65
037	-50~100	5	100	88	65
054	-30~50	2	100	85	65
059	-30~100	2	100	85	65
061	-30~120	5	100	85	65
069	-20~50	2	100	85	65
074	-20~100	2	100	85	65
079	-20~150	5	100	85	65
084	-10~50	1	100	85	65
099	0~50	1	100	85	65
100	0~60	1	100	85	65
101	0~70	2	100	85	65
102	0~80	2	100	85	65
104	0~100	2	100	85	65
106	0~120	2	100	85	65
109	0~150	5	100	85	65
114	0~200	5	100	85	65
119	0~250	5	100	85	65
124	0~300	5	100	45	40
129	0~350	5	100	45	40
134	0~400	10	100	45	40
144	0~500	10	100	45	40
154	0~600	10	100	45	40
164	0~700	10	100	45	40

STEM LENGTH

Code	1	2	3	4	5	6	7	8	9	A	B	C
Length(mm)	50	60	70	80	100	120	130	150	175	200	225	250

Code	D	E	F	G	H	J	K	L	M	N	P	Z
Length(mm)	275	300	350	375	400	450	500	550	1000	1500	2000	Longer than 2000