

**REMOTE READING THERMOMETER
WITH ELECTRIC CONTACT
MODEL : T761, T762, T763, T764**



SERVICE INTENDED

Contact Type Thermometer is installed with electric contact actuated by pointer. It provides the function which electrical circuit can be open or close by manual set point.

It is applicable where signal is required (audible or visual alarm) for control of resistance or any other application with auxiliary relay and contact.

NOMINAL DIAMETER

100mm

ACCURACY

±1.0% of Full Scale (0 up to 200°C)

±2.0% of Full Scale

TEMPERATURE ELEMENT

Liquid Filled

Organic Gas : -50°C to 600°C

WORKING RANGE

Maximum Scale Value



TD07 - 04

Standard Features

LOCATION OF STEM

Bottom Connection, Surface, Case Mounting
Lower Back Connection, Flush, Case Lower Mounting
Lower Back Connection, Flush, Case Centre Mounting

CASE

304SS

WINDOW

Glass

COVER

304SS

DIAL

White Aluminium with
Black graduations

CAPILLARY

Capillary : 1.6/0.2mm, 316SS
Armored tube : 6.5/4.5mm, 304SS

POINTER

Black Finished Brass

STEM OUT DIA.

8.0, 10.0 and 12.0mm
316SS

CONTACTS

Maximum Voltage : 250V AC
Contact Rating : AC 220V, 0.25A/DC
100V, 0.5A
Max. No of Contact : 2 Sets per Gauge

ZERO ADJUSTMENT

By resetting the pointer after
removing the cover

STEM CONNECTION

3/8", 1/2", 3/4" PT or NPT

ORDERING INFORMATION

BASE MODEL

- T761 : REMOTE READING THERMOMETER WITH HIGH ALARM CONTACT**
- T762 : REMOTE READING THERMOMETER WITH HIGH AND LOW ALARM CONTACT**
- T763 : REMOTE READING THERMOMETER WITH LOW ALARM CONTACT**
- T764 : REMOTE READING THERMOMETER WITH HIGH AND HIGH ALARM CONTACT**

NOMINAL DIAMETER

4 : 100mm

MOUNTING

- B** : Bottom Connection, Surface, Case Mounting Plate
- K** : Lower Back Connection, Flush, Case Lower Mounting Plate
- L** : Lower Back Connection, Flush, Case Centre Mounting Plate

STEM MATERIAL

1 : 316SS

CONNECTION

- D** : 3/8"
- E** : 1/2"
- F** : 3/4"

CONNECTION TYPE (CF : Compression Fitting)

- C** : PT
- D** : NPT
- E** : CF + PT
- F** : CF + NPT

STEM OUT DIA.

- 2** : 8.0mm
- 3** : 10.0mm
- 4** : 12.0mm (Standard)

RANGE(Refer to Scale Range Table)

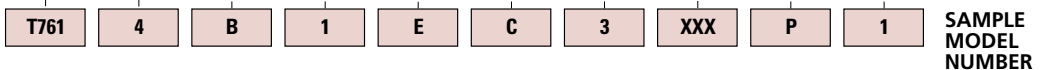
XXX

CAPILLARY LENGTH

- P** : 2 metre
- Q** : 3 metre
- S** : 5 metre
- V** : 8 metre
- X** : 10 metre
- Z** : Other

ACCESSORIES

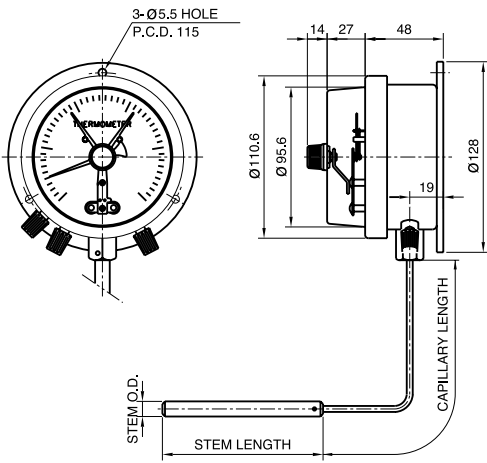
- 0** : None
- 1** : Thermowell



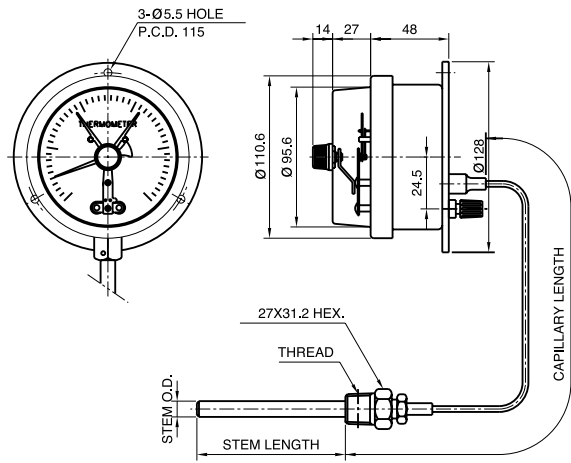
TD07 - 04

T760 : TYPE OF MOUNTING

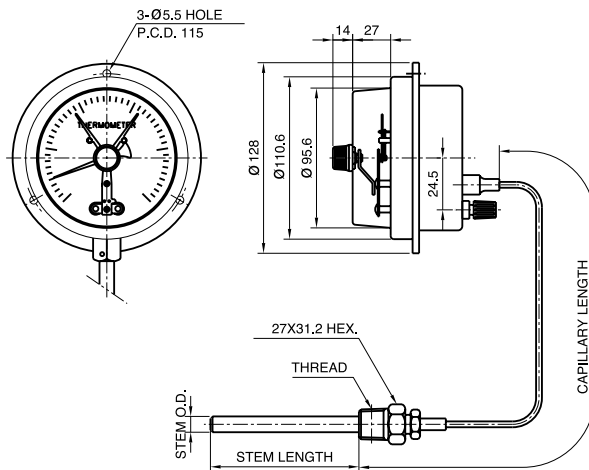
CODE B



CODE K



CODE L



SCALE RANGES

Code	Scale Range (°C)	Scale Spacing (°C)	Minimum Stem Length (mm)			Standard Stem Length (mm)		
			8.0	10.0	12.0	8.0	10.0	12.0
032	-50~50	2	100	85	65	200	130	130
037	-50~100	5	100	88	65	200	130	130
054	-30~50	2	100	85	65	200	150	130
059	-30~100	2	100	85	65	200	130	130
061	-30~120	5	100	85	65	200	130	130
069	-20~50	2	100	85	65	200	130	130
074	-20~100	2	100	85	65	200	130	130
079	-20~150	5	100	85	65	200	130	130
084	-10~50	1	100	85	65	200	130	210
099	0~50	1	100	85	65	200	130	210
100	0~60	1	100	85	65	200	130	190
101	0~70	2	100	85	65	200	130	130
102	0~80	2	100	85	65	200	130	130
104	0~100	2	100	85	65	200	130	130
106	0~120	2	100	85	65	200	130	130
109	0~150	5	100	85	65	200	130	130
114	0~200	5	100	85	65	200	130	130
119	0~250	5	100	85	65	200	130	130
124	0~300	5	100	45	40	200	130	130
129	0~350	5	100	45	40	200	130	130
134	0~400	10	100	45	40	200	130	130
144	0~500	10	100	45	40	200	130	130
154	0~600	10	100	45	40	200	130	130
164	0~700	10	100	45	40	200	130	130