

PIPE TYPE THERMOWELLS

MODEL : A500, A510



ORDERING INFORMATION

BASE MODEL - 1st thru 4th characters

A500 : Thread Connection
A510 : Flanged Connection

| | |
|---------------------------------|--------------|
| 5th Character- Extension | |
| 0= None | 1= Extension |

| | | |
|--|----------------------|---------------------|
| 6th Character- Material of well | | |
| 7th Character-Material of flange(★) | | |
| A=S25C | B=304SS | C=316SS |
| D=304LSS | E=316LSS | F=310SS |
| G=321SS | H=446SS | J=Inconel |
| K=Hast-C | L=Monel | M=Titanium |
| N=Tantalum clad | P=304SS+PTFE Lining | Q=316SS+PTFE Lining |
| R=304SS+PTFE Coating | S=316SS+PTFE Coating | T=Incoloy |
| U=SSA-S | W=A105 | X=GK-SIC |
| Y=A182-F11 | Z=Others | |

Note (★)Please give X to 7th character for A500

| | |
|---|--|
| 8th Character- Internal Connection | |
| 0=1/2" NPT | |
| 1=1/2" PT | |
| 2=1/2" PF | |

| | | | | |
|---|------|------|--------|--------|
| 9th Characters- Pipe Outdiameter | | | | |
| A=14 | B=16 | C=17 | D=19 | E=21.7 |
| F=17.3 | G=15 | H=12 | I=13.8 | J=10 |
| K=12.7 | L=13 | N=21 | O=25 | P=30 |
| Q=40 | R=20 | | | |

| | | | | |
|--|-------|-------|-------|-------|
| 10th Characters- Pipe Thickness(mm) | | | | |
| A=3.7 | B=3.2 | C=3.0 | D=2.8 | E=2.3 |
| F=2.0 | G=1.5 | H=1.0 | J=0.7 | K=2.5 |
| L=5.0 | | | | |

| | | | | |
|--|----------|----------|--------------|--------------|
| 11th Character- Process Connection Size | | | | |
| A=1/2" | B=3/4" | C=1" | D=1 1/4" (★) | E=1 1/2" (★) |
| F=2" (★) | G=2 1/2" | H=3" (★) | I=4" (★) | Z=Others |

Note (★)Available for Flanged Connection Only

| | | | | |
|--|------------|-----------|------------|----------|
| 12th Character- Process Connection Type | | | | |
| A=NPT | B=PT | C=150#RF | D=150#RFSF | E=150#FF |
| F=300#RF | G=300#RFSF | H=300#FF | I=PK | J=600#RF |
| K=600#RFSF | L=10KRF | M=10KRFSF | N=10KFF | O=PN10RF |
| P=20KRF | Q=20KRFSF | R=20KFF | S=PN16RF | T=PN25RF |
| U=PN40RF | V=5KRF | W=5KFF | Z=S.W | |

13th Character- Insertion Length ("U"-Length)

| | | | | | |
|--------|--------|---------|----------|--------|--------|
| 0=80 | 1=100 | 2=150 | 3=200 | 4=250 | 5=300 |
| 6=350 | 7=400 | 8=450 | A=500 | B=600 | C=700 |
| D=800 | E=900 | F=1000 | G=1500 | H=2000 | J=2500 |
| K=3000 | L=3500 | M=4000 | N=5000 | P=6000 | Q=7000 |
| R=8000 | S=9000 | T=10000 | Z=Others | | |

Note Please choose a code of next higher length if applicable length is not. Actual length shall be specified.

14th Character-Extension Length ("T"-Length)

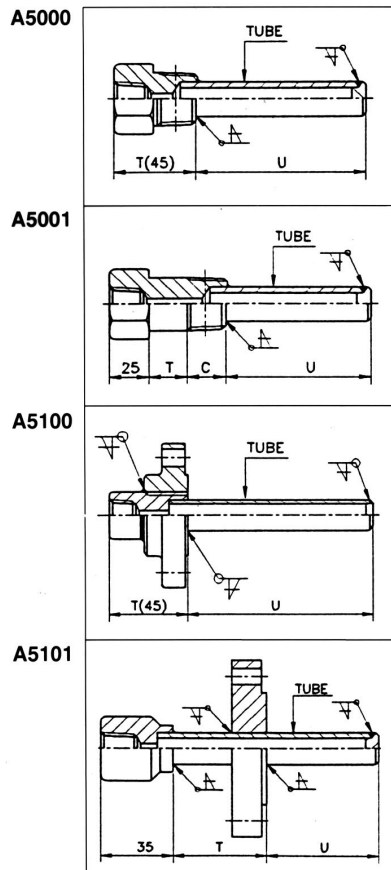
| | | |
|-----------------|--------------|------------------|
| 0=None(MFR.STD) | 1=Bleow 50MM | 2=More than 50MM |
|-----------------|--------------|------------------|

Note Actual length shall be specified.

15th Character-Options

| |
|----------------|
| 0=None |
| 1=Plug & Chain |

A500BXOH9BA400 SAMPLE ORDERING NUMBER



ADD05 - 01