

# DIRECT READING THERMOMETER WITH OIL FILLED MODEL : T229

**WISE**<sup>®</sup>

## SERVICE INTENDED

Liquid Filled thermometer is used for measuring temperature of corrosive and non-corrosive fluid in all industries, operated in aggressive and non-aggressive environment. Linear dials and temperature compensate line assure an accurate temperature indication at varying ambient conditions.

## NOMINAL DIAMETER

100mm

## ACCURACY

±1.0% of Full Scale(0 up to 200°C)

±2.0% of Full Scale

## TEMPERATURE ELEMENT

Liquid Filled

Organic Gas : -50°C to 600°C

## WORKING RANGE

Maximum Scale Value



TD02 - 06

## Standard Features

### LOCATION OF STEM

Bottom Connection, Direct  
Lower Back Connection, Direct

### CASE

304SS

### COVER

304SS

### WINDOW

Glass

### DIAL

White Aluminium with  
Black graduations

### POINTER

304SS, Black painted

### STEM OUT DIA.

8.0, 10.0 and 12.0mm  
316SS

### FILLED FLUID CASE

Glycerine

### ZERO ADJUSTMENT

By resetting the pointer after  
removing the cover

### STEM CONNECTION

3/8", 1/2", 3/4" PT or NPT

# ORDERING INFORMATION

**BASE MODEL**

**T229 : DIRECT READING THERMOMETER WITH OIL FILLED**

**NOMINAL DIAMETER**

4 : 100mm

**TYPE OF MOUNTING**

A : Bottom Connection, Direct  
G : Lower Back Connection, Direct

**STEM MATERIAL**

1 : 316SS

**PROCESS CONNECTION**

D : 3/8"  
 E : 1/2"  
E : 3/4"

**CONNECTION TYPE (CF : Compression Fitting)**

C : PT  
 D : NPT  
 E : CF + PT  
E : CF + NPT

**STEM OUT DIA.**

2 : 8.0mm  
 3 : 10.0mm  
4 : 12.0mm

**RANGE(Refer to Scale Range Table)**

XXX

**STEM LENGTH  
 (Refer to Stem Length Table)**

X

**ACCESSORIES**

0 : None  
1 : Thermowell

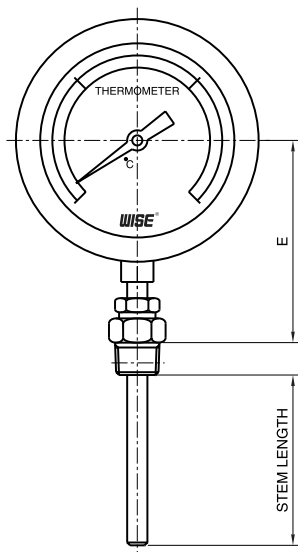


**SAMPLE  
 MODEL  
 NUMBER**

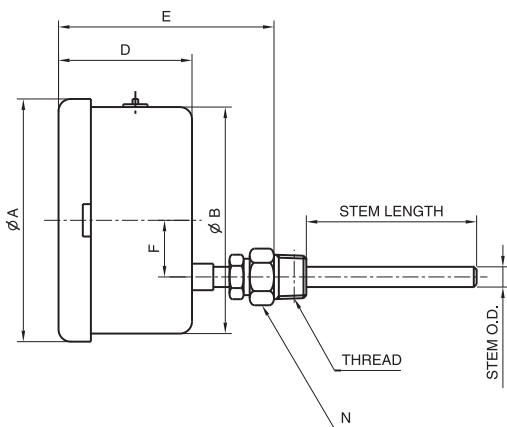
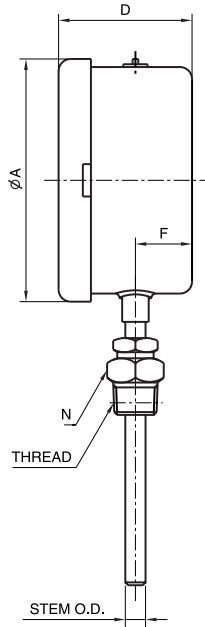
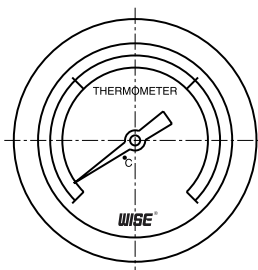
TD02 - 06

## T229 : TYPE OF MOUNTING

CODE A



CODE G



Dimensions (mm)

DIAL SIZE	AVAILABLE CODE	A	B	D	E	F	N
100	A	111		48.5	135	20	27x31.2 HEX
	G	111	99.5	48.5	132.3	25	27x31.2 HEX

## SCALE RANGES

Code	Scale Range (°C)	Scale Spacing (°C)	Minimum Stem Length (mm)		
			8.0	10.0	12.0
032	-50~50	2	100	85	65
037	-50~100	5	100	88	65
054	-30~50	2	100	85	65
059	-30~100	2	100	85	65
061	-30~120	5	100	85	65
069	-20~50	2	100	85	65
074	-20~100	2	100	85	65
079	-20~150	5	100	85	65
084	-10~50	1	100	85	65
099	0~50	1	100	85	65
100	0~60	1	100	85	65
101	0~70	2	100	85	65
102	0~80	2	100	85	65
104	0~100	2	100	85	65
106	0~120	2	100	85	65
109	0~150	5	100	85	65
114	0~200	5	100	85	65
119	0~250	5	100	85	65
124	0~300	5	100	45	40
129	0~350	5	100	45	40
134	0~400	10	100	45	40
144	0~500	10	100	45	40
154	0~600	10	100	45	40
164	0~700	10	100	45	40

## STEM LENGTH

Code	1	2	3	4	5	6	7	8	9	A	B	C
Length(mm)	50	60	70	80	100	120	130	150	175	200	225	250

Code	D	E	F	G	H	J	K	L	M	N	P	Z
Length(mm)	275	300	350	375	400	450	500	550	1000	1500	2000	Longer than 2000