

MANOMETER
U TYPE MODEL : P961 SERIES
INCLINED MODEL : P962, P963, P964 SERIES
WELL TYPE MODEL : P965 SERIES

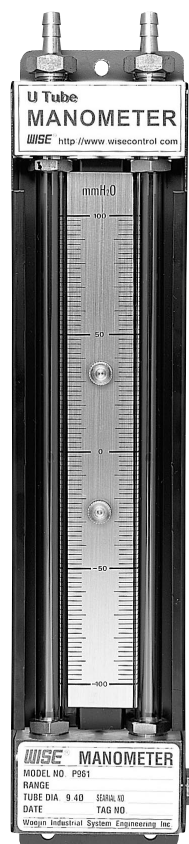


SERVICE INTENDED

P960 Series Manometer is pressure measurement instrument and measurement standard for calibration of all pressure instruments.
 Suitable for low & vacuum pressure measurement.

SCALE RANGE

U Type : 0~ ±1 to 0 ~ ±6kPa
 Inclined Type : 0 ~ 0.3, 0.6 and 1.5kPa
 Well Type : 0~5, 10 and 15kPa



Standard Features

PRESSURE CONNECTION

Stainless Steel
 tube connection for 8mm

TUBE

Material : Glass
 Outdia : 12mm
 India : 9.4mm(P961)
 5.0mm(P962,P963,P964,P965)

FILLING LIQUID

WATER

SCALE PLATE

White Aluminium with
 Black Graduation
 Min. Graduation : 2mm or 0.02kPa

BASE PLATE

SCP2, Black painted
 304SS

MOUNTING

Surface mounting

ORDERING INFORMATION

BASE MODEL

- P961 : U TYPE MANOMETER
- P962 : INCLINED TYPE MANOMETER(INCLINED RATES, 1:2)
- P963 : INCLINED TYPE MANOMETER(INCLINED RATES, 1:5)
- P964 : INCLINED TYPE MANOMETER(INCLINED RATES, 1:10)
- P965 : WELL TYPE MANOMETER

UNUSED CHARACTER

9

TYPE

- S : U Type, Only Available with P961 Series
- T : Inclined Type, Only Available with P962, P963 &P964 Series
- U : Well Type, Only Available with P965 Series

BASE PLATE MATERIAL

- 0 : Steel (Black Painted)
- 1 : 304SS

CONNECTION

M : 8mm

CONNECTION TYPE

K : Tube Connection

MEASURING UNIT

- J : kPa
- M : mm

RANGE

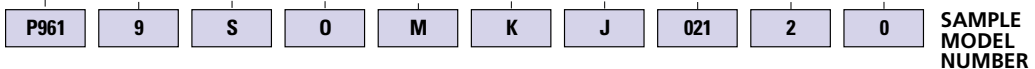
Refer to Pressure Unit & Range Table

COLOR

2 : 2 Colors

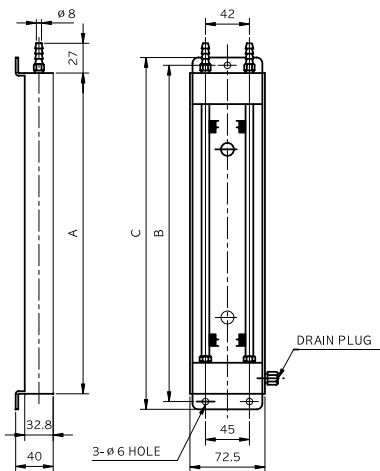
OPTIONS

- 0 : None
- 1 : Accessories

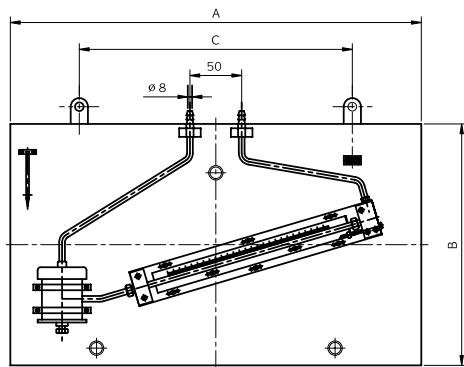


P960 : TYPE OF MOUNTING

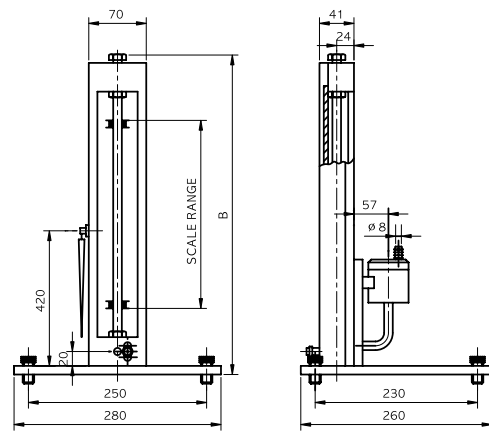
CODE S (P961)



CODE T (P962, P963, P964)



CODE U (P965)



Dimensions (mm)

AVAILABLE CODE	RANGE (kPa)	A	B	C	AVAILABLE CODE	INCLINED RATES	RANGE (kPa)	A	B	C
P961 (CODE S)	200mm(-100~0~100)	310	325	340	P962 (CODE T)	1:2	0~0.3	290	300	230
	300mm(-150~0~150)	410	425	440			0~0.6	350	300	280
	400mm(-200~0~200)	515	530	545			0~1.5	600	400	400
	500mm(-250~0~250)	615	630	645	P963 (CODE T)	1:5	0~0.3	500	300	400
	600mm(-300~0~300)	720	735	750			0~0.6	570	350	440
	700mm(-350~0~350)	825	840	855			0~1.5	1100	400	800
	800mm(-400~0~400)	925	940	955	P964 (CODE T)	1:10	0~0.3	570	300	440
	900mm(-450~0~450)	1030	1045	1060			0~0.6	860	300	600
1000mm(-500~0~500)	1130	1145	1160	0~1.0			1300	400	1150	
P965 (CODE U)	7.4~0		978							
	0~5		718							
	0~9.8		1208							
	0~14.6		1708							

PRESSURE RANGE TABLE

MODEL	NOMINAL LENGHT(mm)	MEASURING RANGE (WARTER COLUMN)	ORDER CODE	REMARK
P961 (U TYPE)	200	±1 kPa	022	
	300	±1.5 kPa	021	
	400	±2 kPa	020	
	500	±2.5 kPa	019	
	600	±3 kPa	018	
	700	±3.5 kPa	017	
	800	±4 kPa	016	
	900	±4.5 kPa	015	
	1000	±5 kPa	014	
	1200	±6 kPa	013	
P962, P963 (Inclined Type)	30	0~0.3 kPa	053	
	60	0~0.6 kPa	056	
	150	0~1.5 kPa	059	
P964 (Inclined Type)	30	0~0.3 kPa	053	
	60	0~0.6 kPa	056	
	150	0~1.5 kPa	058	
P965 (Well Type)	760	7.4~0 kPa	026	
	500	0~5 kPa	066	
	1000	0~9.8 kPa	070	
	1500	0~14.6 kPa	116	