

# DIRECT READING THERMOMETER WITH ALUMINIUM CASE MODEL : T222

**WISE**<sup>®</sup>

## SERVICE INTENDED

Liquid Filled thermometer is used for measuring temperature of corrosive and non-corrosive fluid in all industries, operated in aggressive and non-aggressive environment. Linear dials and temperature compensate line assure an accurate temperature indication at varying ambient conditions.

## NOMINAL DIAMETER

100 and 150mm

## ACCURACY

±1.0% of Full Scale(0 up to 200°C)

±2.0% of Full Scale

## TEMPERATURE ELEMENT

Liquid Filled

Organic Gas : -50°C to 600°C

## WORKING RANGE

Maximum Scale Value



TD02 - 05

## Standard Features

### LOCATION OF STEM

Bottom Connection, Direct  
Bottom Connection, Surface, Case Mounting  
Lower Back Connection, Direct

### CASE

Black Finished Aluminium

### COVER

Black Finished Aluminium

### WINDOW

Glass

### DIAL

White Aluminium with  
Black Graduations

### POINTER

Black Aluminium

### STEM

8.0, 10.0 and 12.0mm  
316SS

### ZERO ADJUSTMENT

By resetting the pointer  
after removing the cover.

### STEM CONNECTION

3/8", 1/2", 3/4" PT or NPT

# ORDERING INFORMATION

**BASE MODEL**

**T222 : DIRECT READING THERMOMETER WITH ALUMINIUM CASE**

**NOMINAL DIAMETER**

- 4 : 100mm
- 6 : 150mm

**TYPE OF MOUNTING**

- A : Bottom Connection, Direct
- B : Bottom Connection, Surface, Case Mounting
- G : Lower Back Connection, Direct

**STEM MATERIAL**

- 1 : 316SS

**PROCESS CONNECTION**

- D : 3/8"
- E : 1/2"
- F : 3/4"

**CONNECTION TYPE (CF : Compression Fitting)**

- C : PT
- D : NPT
- E : CF + PT
- F : CF + NPT

**STEM OUT DIA.**

- 2 : 8.0mm
- 3 : 10.0mm
- 4 : 12.0mm

**RANGE(Refer to Scale Range Table)**

XXX

**STEM LENGTH**

(Refer to Stem Length Table)

X

**ACCESSORIES**

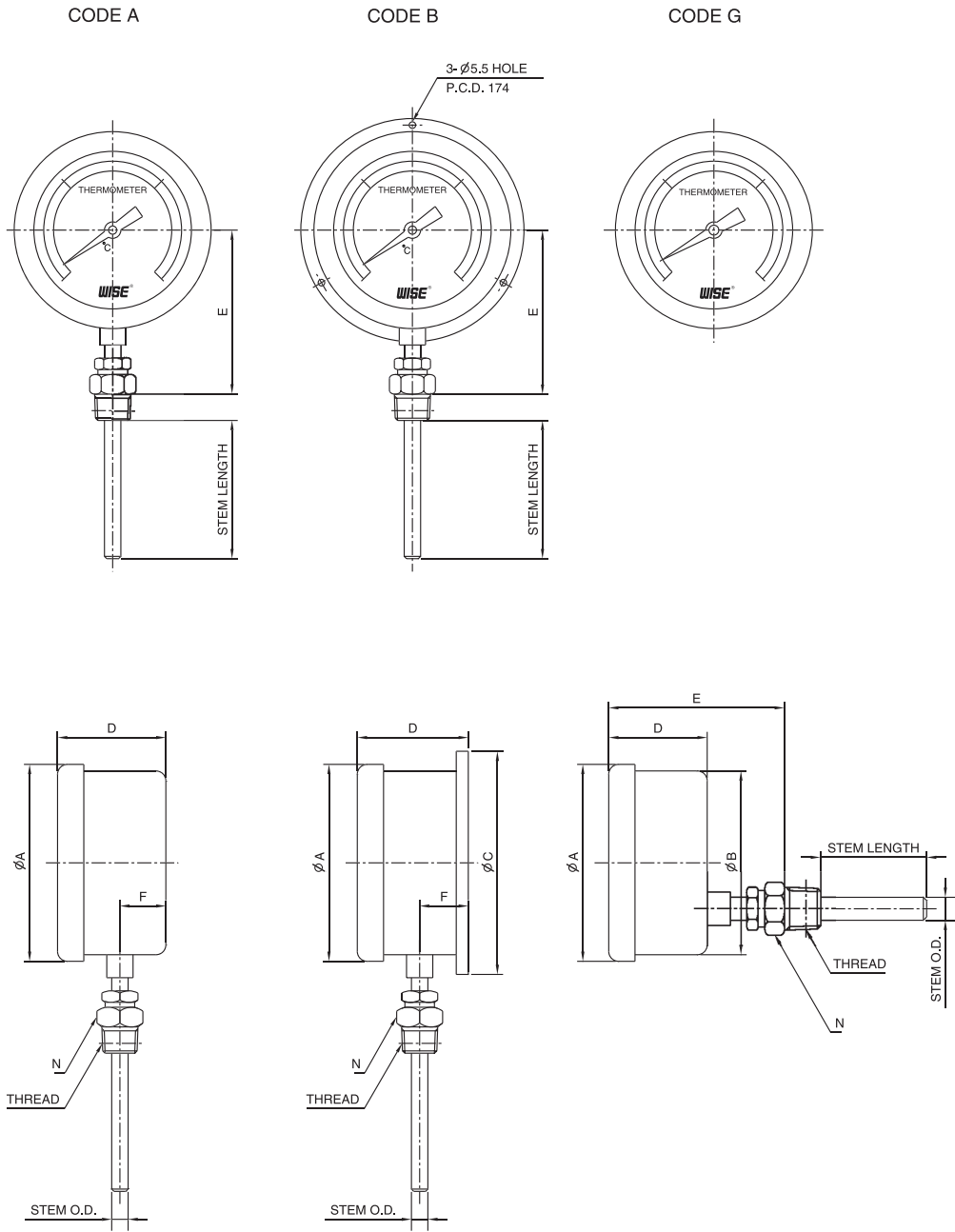
- 0 : None
- 1 : Thermowell



**SAMPLE  
MODEL  
NUMBER**

TD02 - 05

## T222 : TYPE OF MOUNTING



Dimensions (mm)

DIAL SIZE	AVAILABLE CODE	A	B	C	D	E	F	N
100	A	110			52	135	20.5	27x31.2 HEX
	G	110	105		52	134.5	25	27x31.2 HEX
150	B	172		185	62	180	19.5	27x31.2 HEX
	G	172	159		62	162.5	25	27x31.2 HEX

## SCALE RANGES

Code	Scale Range (°C)	Scale Spacing (°C)	Minimum Stem Length (mm)		
			8.0	10.0	12.0
032	-50~50	2	100	85	65
037	-50~100	5	100	88	65
054	-30~50	2	100	85	65
059	-30~100	2	100	85	65
061	-30~120	5	100	85	65
069	-20~50	2	100	85	65
074	-20~100	2	100	85	65
079	-20~150	5	100	85	65
084	-10~50	1	100	85	65
099	0~50	1	100	85	65
100	0~60	1	100	85	65
101	0~70	2	100	85	65
102	0~80	2	100	85	65
104	0~100	2	100	85	65
106	0~120	2	100	85	65
109	0~150	5	100	85	65
114	0~200	5	100	85	65
119	0~250	5	100	85	65
124	0~300	5	100	45	40
129	0~350	5	100	45	40
134	0~400	10	100	45	40
144	0~500	10	100	45	40
154	0~600	10	100	45	40
164	0~700	10	100	45	40

## STEM LENGTH

Code	1	2	3	4	5	6	7	8	9	A	B	C
Length(mm)	50	60	70	80	100	120	130	150	175	200	225	250

Code	D	E	F	G	H	J	K	L	M	N	P	Z
Length(mm)	275	300	350	375	400	450	500	550	1000	1500	2000	Longer than 2000