

## REMOTE READING THERMOMETER MODEL : T210

# WISE<sup>®</sup>

### SERVICE INTENDED

Liquid Filled thermometer is used for measuring temperature of corrosive and non-corrosive fluid in all industries, operated in aggressive and non-aggressive environment. Linear dials and temperature compensate line assure an accurate temperature indication at varying ambient conditions.

### NOMINAL DIAMETER

100mm and 150mm

### ACCURACY

±1.0% of Full Scale (0 up to 200°C)  
±2.0% of Full Scale

### TEMPERATURE ELEMENT

Liquid Filled  
Organic Gas : -50°C to 600°C

### WORKING RANGE

Maximum Scale Value



TD02 - 01

## Standard Features

### LOCATION OF STEM AND MOUNTING

Bottom Connection, Surface, Case Mounting  
Lower Back Connection, Flush, Case Centre Mounting

### CASE

304SS

### COVER

304SS

### CAPILLARY

Capillary : 1.6/0.2mm, 316SS  
Armored tube : 6.5/4.5mm, 304SS

### WINDOW

Glass

### DIAL

White Aluminium with  
Black Graduations

### POINTER

304SS, Black painted

### STEM

8.0, 10.0 and 12.0mm  
316SS

### ZERO ADJUSTMENT

By resetting the pointer after  
removing the cover

### STEM CONNECTION

3/8", 1/2", 3/4" PT or NPT

# ORDERING INFORMATION

**BASE MODEL**

**T210 : REMOTE READING THERMOMETER**

**NOMINAL DIAMETER**

- 4 : 100mm
- 6 : 150mm

**TYPE OF MOUNTING**

- B : Bottom Connection, Surface, Case Mounting Plate
- M: Lower Back Connection, Flush, Case Centre Mounting Plate

**STEM MATERIAL**

- 1 : 316SS

**PROCESS CONNECTION**

- D : 3/8"
- E : 1/2"
- F : 3/4"

**CONNECTION TYPE (CF : Compression Fitting)**

- B : PF
- C : PT
- D : NPT
- E : CF + PT
- F : CF + NPT

**STEM OUT DIA.**

- 2 : 8.0mm
- 3 : 10.0mm
- 4 : 12.0mm

**RANGE(Refer to Scale Range Table)**

XXX

**CAPILLARY LENGTH**

- P : 2 metre
- Q : 3 metre
- S : 5 metre
- V : 8 metre
- X : 10 metre
- Z : Other

**ACCESSORIES**

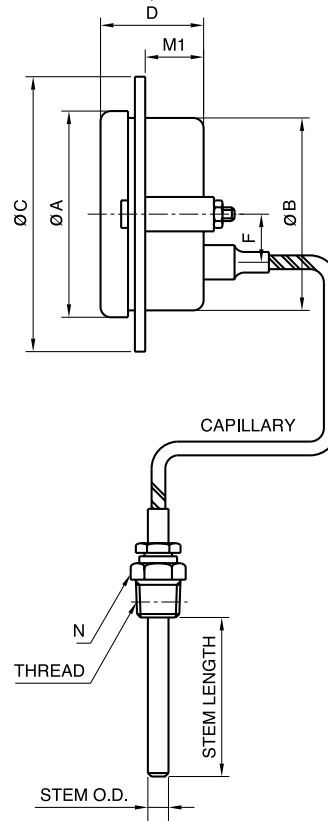
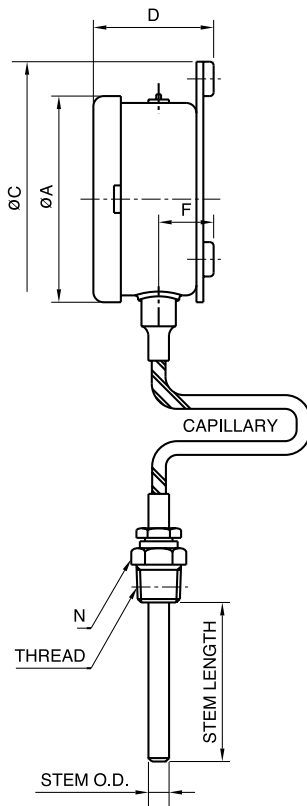
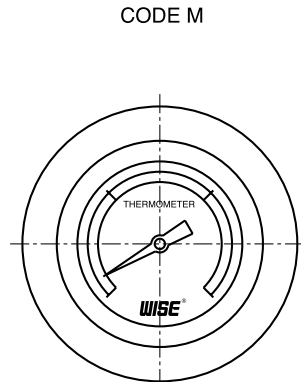
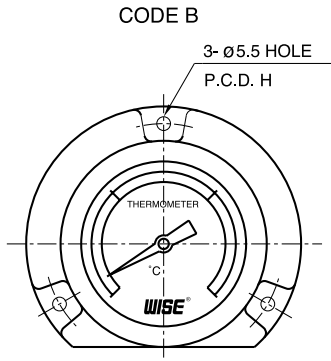
- 0 : None
- 1 : Thermowell



**SAMPLE  
MODEL  
NUMBER**

TD02 - 01

## T210 : TYPE OF MOUNTING



Dimensions (mm)

DIAL SIZE	AVAILABLE CODE	A	B	C	D	F	H	M1	N
100	B	111		128	52.5	23	115		27x31.2 HEX
	M	111	99.5	128	50.5	25		28.5	27x31.2 HEX
150	B	168.5		178	66	26	165		27x31.2 HEX
	M	168.5	153	195	62.5	56		38.5	27x31.2 HEX

## SCALE RANGES

Code	Scale Range (°C)	Scale Spacing (°C)	Minimum Stem Length (mm)			Standard Stem Length (mm)		
			8.0	10.0	12.0	8.0	10.0	12.0
032	-50~50	2	100	85	65	200	130	130
037	-50~100	5	100	88	65	200	130	130
054	-30~50	2	100	85	65	200	150	130
059	-30~100	2	100	85	65	200	130	130
061	-30~120	5	100	85	65	200	130	130
069	-20~50	2	100	85	65	200	130	130
074	-20~100	2	100	85	65	200	130	130
079	-20~150	5	100	85	65	200	130	130
084	-10~50	1	100	85	65	200	130	210
099	0~50	1	100	85	65	200	130	210
100	0~60	1	100	85	65	200	130	190
101	0~70	2	100	85	65	200	130	130
102	0~80	2	100	85	65	200	130	130
104	0~100	2	100	85	65	200	130	130
106	0~120	2	100	85	65	200	130	130
109	0~150	5	100	85	65	200	130	130
114	0~200	5	100	85	65	200	130	130
119	0~250	5	100	85	65	200	130	130
124	0~300	5	100	45	40	200	130	130
129	0~350	5	100	45	40	200	130	130
134	0~400	10	100	45	40	200	130	130
144	0~500	10	100	45	40	200	130	130
154	0~600	10	100	45	40	200	130	130
164	0~700	10	100	45	40	200	130	130