

**HERMETICALLY SEALED CASE
BIMETAL THERMOMETER WITH ADJUSTABLE STEM
MODEL : T191**

WISE[®]

SERVICE INTENDED

Bimetal Thermometer is used for measuring temperature of gas or liquid fluid. This thermometer prevents entry of moisture into the casing, thus minimizing the possibility of icing or fogging inside the case.

NOMINAL DIAMETER

100, 125 and 150mm

ACCURACY

±2.0% of Full Scale

TEMPERATURE ELEMENT

Coiled Bimetal

WORKING RANGE

Maximum Scale Value



TD01 - 08

Standard Features

LOCATION OF STEM

Centre Back with Adjustable Stem

CASE

Hermetically Sealed, 304SS

COVER

Hermetically Sealed, 304SS

WINDOW

Glass

DIAL

White Aluminium with
Black Graduations

POINTER

Aluminium alloy, Black painted

STEM

6.0, 6.4, 8.0 and 10.0mm Diameter,
304SS and 316SS
Max. Stem Length : 2000mm

ZERO ADJUSTMENT

External at the Back of Case

STEM CONNECTION

3/8", 1/2" PT or NPT

OPTION

Special Accuracy, ±1.0% of Full Scale

ORDERING INFORMATION

BASE MODEL

T191 : HERMETICAL SEALED CASE BIMETAL THERMOMETER WITH ADJUSTABLE STEM

NOMINAL DIAMETER

- 4 : 100mm
- 5 : 125mm
- 6 : 150mm

MOUNTING TYPE

Y : Center Back with Adjustable Stem

STEM MATERIAL

- 0 : 304SS
- 1 : 316SS

CONNECTION

- D : 3/8"
- E : 1/2"

CONNECTION TYPE (CF : Compression Fitting)

- C : PT
- D : NPT
- E : CF + PT
- F : CF + NPT

STEM OUT DIA.

- 0 : 6.0mm
- 1 : 6.4mm
- 2 : 8.0mm
- 3 : 10.0mm

RANGE(Refer to Scale Range Table)

XXX

STEM LENGTH

(Refer to Stem Length Table)

X

ACCESSORIES

- 0 : None
- 1 : Thermowell
- 2 : Special Accuracy
(±1.0% of F.S.)
- 3 : Thermowell & Special Accuracy



T191

6

Y

1

F

C

1

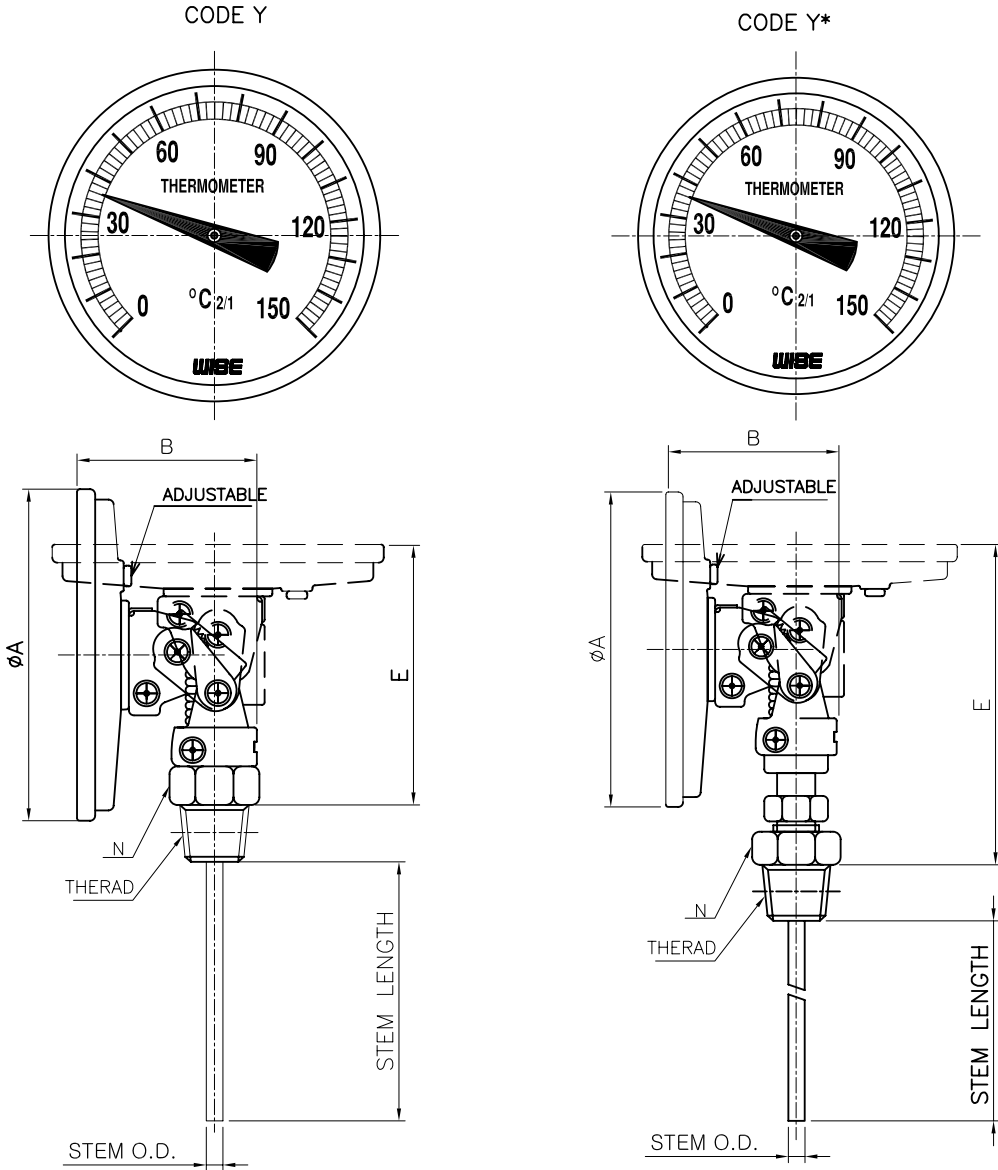
XXX

X

1

**SAMPLE
MODEL
NUMBER**

T191 : TYPE OF MOUNTING



Dimensions (mm)

DIAL SIZE	AVAILABLE CODE	A	B	E	N
100	Y	107	65	99	24x27.7 HEX
	Y*	107	65	121	24x27.7 HEX
125	Y	128	62	96	24x27.7 HEX
	Y*	128	62	131	24x27.7 HEX
150	Y*	174	73	142	24x27.7 HEX

SCALE RANGES

Code	Scale Range (°C)	Scale Spacing(°C)	Minimum Stem Length (mm)	
			6.0 and 6.4	8.0 and 10.0
032	-50~50	2	55	50
037	-50~100	2	45	35
054	-30~50	2	70	60
059	-30~100	2	50	45
061	-30~120	2	45	35
069	-20~50	1	80	70
074	-20~100	2	45	45
079	-20~150	5	40	35
084	-10~50	1	95	80
099	0~50	1	110	90
100	0~60	1	95	80
101	0~70	1	80	70
102	0~80	2	70	60
104	0~100	2	55	50
106	0~120	2	50	45
109	0~150	5	45	35
114	0~200	5	35	35
119	0~250	5	35	30
124	0~300	5	35	25
129	0~350	5	30	25
134	0~400	5	80	65
144	0~500	5	70	60
000	Special Range	Please Contact to Technical Dept.		

STEM LENGTH

Code	1	2	3	4	5	6	7	8	9	A	B	C	D
Length(mm)	50	60	70	80	100	120	130	150	175	200	225	250	275

Code	E	F	G	H	J	K	L	M	N	P	Z
Length(mm)	300	350	375	400	450	500	550	1000	1500	2000	Longer than 2000