

**PROCESS INDUSTRY
BIMETAL THERMOMETER WITH ANGLE STEM
MODEL : T140**

WISE[®]

SERVICE INTENDED

Bimetal Thermometer is used for measuring temperature of gas or liquid fluid. This is suitable for measurement, regulation and direct monitoring of the fluid and meets the most stringent criteria on resistance to corrosive atmosphere and exceptionally climatic circumstance.

NOMINAL DIAMETER

75, 100, 125 and 150mm

ACCURACY

±1.0% of Full Scale (0 up to 200°C)
±2.0% of Full Scale

TEMPERATURE ELEMENT

Coiled Bimetal

WORKING RANGE

Maximum Scale Value



TD01 - 06

Standard Features

LOCATION OF STEM

Centre Back with Angle Stem

CASE

304SS

COVER

304SS

WINDOW

Glass

DIAL

White Aluminium with
Black Graduations

POINTER

Black Aluminium

STEM

6.0, 6.4, 8.0 and 10mm Diameter
304SS and 316SS
Max. Stem Length : 2000mm

ZERO ADJUSTMENT

External at the Back of Case

STEM CONNECTION

3/8", 1/2", 3/4" PT or NPT

ORDERING INFORMATION

BASE MODEL

T140 : PROCESS INDUSTRY BIMETAL THERMOMETER WITH ANGLE STEM

NOMINAL DIAMETER

- 3 : 75mm
- 4 : 100mm
- 5 : 125mm
- 6 : 150mm

TYPE OF MOUNTING

W : Centre Back with Angle Stem

STEM MATERIAL

- 0 : 304SS
- 1 : 316SS

CONNECTION

- D : 3/8"
- E : 1/2"
- E : 3/4"

CONNECTION TYPE (CF : Compression Fitting)

- C : PT
- D : NPT
- E : CF + PT
- E : CF + NPT

STEM OUT DIA.

- 0 : 6.0mm
- 1 : 6.4mm
- 2 : 8.0mm
- 3 : 10.0mm

RANGE(Refer to Scale Range Table)

XXX

STEM LENGTH

(Refer to Stem Length Table)

X

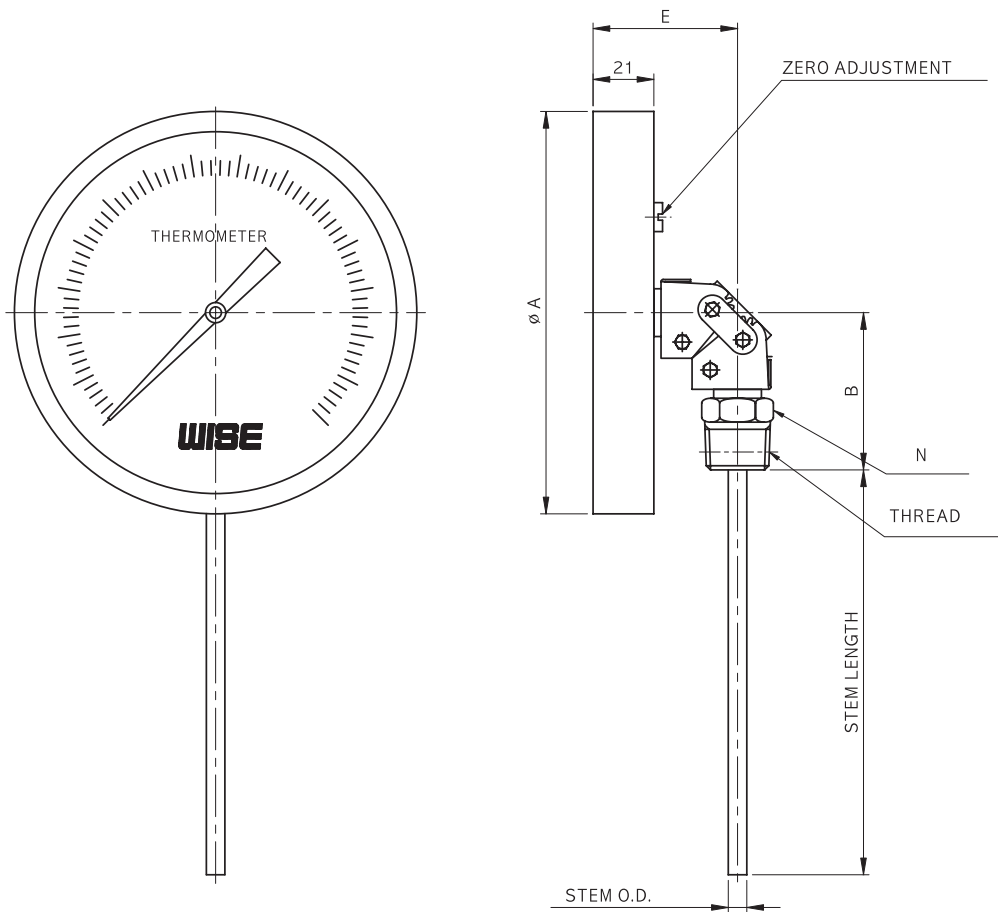
ACCESSORIES

- 0 : None
- 1 : Thermowell



**SAMPLE
MODEL
NUMBER**

T140 : TYPE OF MOUNTING



Dimensions (mm)

DIAL SIZE	A	B	E	N
75	86	49	53	22x25.4 HEX
100	111	49	57	22x25.4 HEX
125	138	49	58	22x25.4 HEX
150	168.5	69	69	22x25.4 HEX

SCALE RANGES

Code	Scale Range (°C)	Scale Spacing(°C)	Minimum Stem Length (mm)	
			6.4	8.0 and 10.0
032	-50~50	2	55	50
037	-50~100	5	45	35
054	-30~50	2	70	60
059	-30~100	5	50	45
061	-30~120	2	45	35
069	-20~50	2	80	70
074	-20~100	2	45	45
079	-20~150	5	40	35
084	-10~50	1	95	80
099	0~50	1	110	70
100	0~60	1	95	80
101	0~70	2	80	60
102	0~80	1	70	90
104	0~100	2	55	50
106	0~120	2	50	45
109	0~150	2	45	35
114	0~200	5	35	35
119	0~250	5	35	30
124	0~300	5	35	25
129	0~350	5	30	25
134	0~400	5	80	65
144	0~500	10	70	60
154	0~600	10	70	60

STEM LENGTH

Code	1	2	3	4	5	6	7	8	9	A	B	C
Length(mm)	50	60	70	80	100	120	130	150	175	200	225	250

Code	D	E	F	G	H	J	K	L	M	N	P	Z
Length(mm)	275	300	350	375	400	450	500	550	1000	1500	2000	Longer than 2000