

**HERMETICALLY SEALED CASE
BIMETAL THERMOMETER
MODEL : T112**

WISE[®]

SERVICE INTENDED

Bimetal Thermometer is used for measuring temperature of gas or liquid fluid. This is suitable for measurement, regulation and direct monitoring of the fluid and meets the most stringent criteria on resistance to corrosive atmosphere and exceptionally climatic circumstance.

NOMINAL DIAMETER

65, 75, 125 and 150mm

ACCURACY

±2.0% of Full Scale(Standard)

TEMPERATURE ELEMENT

Coiled Bimetal

WORKING RANGE

Maximum Scale Value



TD01 - 03

Standard Features

LOCATION OF STEM

Centre Back Connection, Direct

CASE

Hermetically Sealed, 304SS

COVER

Hermetically Sealed, 304SS

WINDOW

Glass

DIAL

White Aluminium with
Black Graduations

POINTER

Aluminium alloy, Black painted

STEM

CASE 6.0, 6.4, 8.0 and 10.0mm Diameter
304SS 304SS and 316SS
Max. Stem Length : 2000mm

ZERO ADJUSTMENT

External at the Back of Case
(Only available with Diameter 125mm, and 150mm)

STEM CONNECTION

1/4", 3/8", 1/2", 3/4" PT or NPT

OPTION

Special Accuracy, ±1.0% of Full Scale

ORDERING INFORMATION

BASE MODEL

T112 : HERMETICALLY SEALED TYPE BIMETAL THERMOMETER

NOMINAL DIAMETER

- 2 : 65mm
- 3 : 75mm
- 5 : 125mm
- 6 : 150mm

MOUNTING TYPE

X : Center Back Connection, Direct

STEM MATERIAL

- 0 : 304SS
- 1 : 316SS

CONNECTION

- C : 1/4"
- D : 3/8"
- E : 1/2"
- F : 3/4"

CONNECTION TYPE(CF : Compression Fitting)

- C : PT
- D : NPT
- E : CF + PT
- E : CF + NPT

STEM OUT DIA.

- 0 : 6.0mm
- 1 : 6.4mm
- 2 : 8.0mm
- 3 : 10.0mm

RANGE(Refer to Scale Range Table)

XXX

STEM LENGTH

(Refer to Stem Length Table)

X

ACCESSORIES

- 0 : None
- 1 : Thermowell
- 2 : Special Accuracy
(±1.0% of F.S.)
- 3 : Thermowell & Special Accuracy

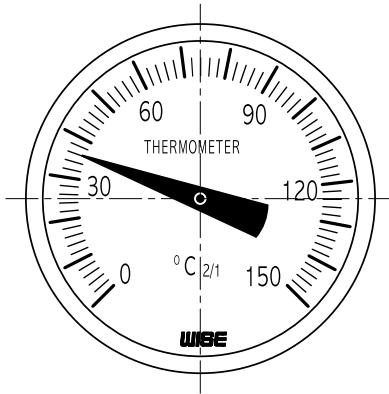


SAMPLE MODEL NUMBER

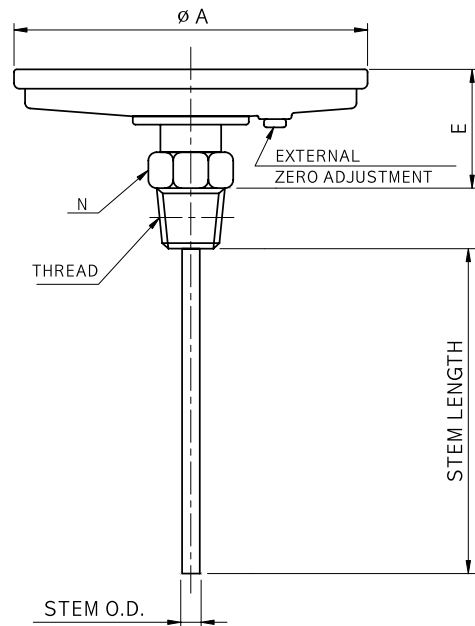
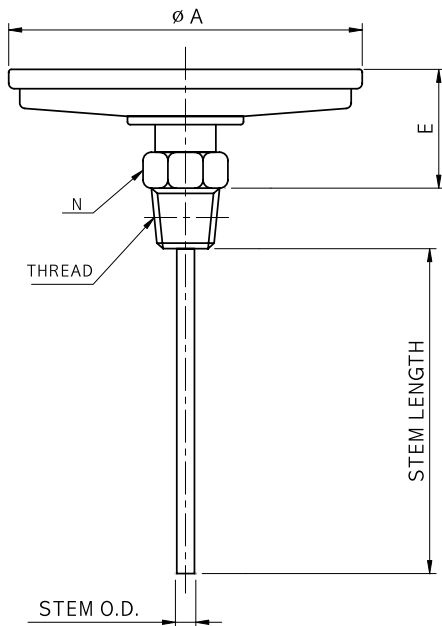
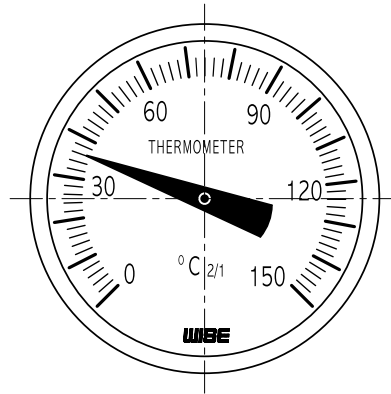
TD01 - 03

T112 : TYPE OF MOUNTING

CODE X



CODE X*



Dimensions (mm)

DIAL SIZE	AVAILABLE CODE	A	E	N
65	X	65	28	24x27.7 HEX
75	X	84	34	24x27.7 HEX
125	X*	128	40	24x27.7 HEX
150	X*	174	40	24x27.7 HEX

SCALE RANGES

Code	Scale Range (°C)	Scale Spacing(°C)	Minimum Stem Length (mm)	
			6.0 and 6.4	8.0 and 10.0
032	-50~50	2	55	50
037	-50~100	2	45	35
054	-30~50	2	70	60
059	-30~100	2	50	45
061	-30~120	2	45	35
069	-20~50	2	80	70
074	-20~100	2	45	45
079	-20~150	2	40	35
084	-10~50	1	95	80
099	0~50	1	110	70
100	0~60	1	95	80
101	0~70	1	80	60
102	0~80	2	70	90
104	0~100	2	55	50
106	0~120	2	50	45
109	0~150	2	45	35
114	0~200	5	35	35
119	0~250	5	35	30
124	0~300	5	35	25
129	0~350	5	30	25
134	0~400	5	80	65
144	0~500	5	70	60
154	0~600	10	70	60

STEM LENGTH

Code	1	2	3	4	5	6	7	8	9	A	B	C	D
Length(mm)	50	60	70	80	100	120	130	150	175	200	225	250	275

Code	E	F	G	H	J	K	L	M	N	P	Z
Length(mm)	300	350	375	400	450	500	550	1000	1500	2000	Longer than 2000