

---

## GLASS THERMOMETER MODEL : T400

---

**WISE**<sup>®</sup>

### SERVICE INTENDED

Glass Thermometer is suitable for applied to on temperature measurement in various industrial plants such as oil refinery, sugar refinery, chemical industry, rubber plant and etc.

### FORM

Rectangular

### ACCURACY

±2.0% of Full Scale

### TEMPERATURE ELEMENT

Liquid Filled

### WORKING RANGE

Maximum Scale Value



TD04 - 01

## Standard Features

---

### LOCATION OF STEM

Bottom Connection, Direct , "I" Type  
Lower Back Connection, Direct, "L" Type

### CASE

Aluminium Alloy

### STEM CONNECTION

3/8", 1/2" PT or NPT, 22mm

### STEM

8.0, 10.0 and 12.0mm  
Brass, 304SS, 316SS

# ORDERING INFORMATION

## BASE MODEL

**T400** : GLASS THERMOMETER

### NOMINAL DIAMETER

9 : Rectangular

### TYPE OF MOUNTING

V : Bottom Connection, Direct, " I " Type

W : Lower Back Connection, Direct, " L " Type

### STEM MATERIAL

0 : 304SS

1 : 316SS

### CONNECTION SIZE

D : 3/8"

E : 1/2"

M : 22mm, Only available with connection type MM (Standard)

### CONNECTION TYPE

C : PT

D : NPT

M : MM - Only available with connection size 22mm

### STEM OUT DIA.

2 : 8.0mm

3 : 10.0mm (Standard)

4 : 12.0mm

### RANGE(Refer to Scale Range Table)

XXX

### STEM LENGTH

(Refer to Stem Length Table)

X

### ACCESSORIES

0 : None

1 : Thermowell

T400

9

V

0

E

C

3

XXX

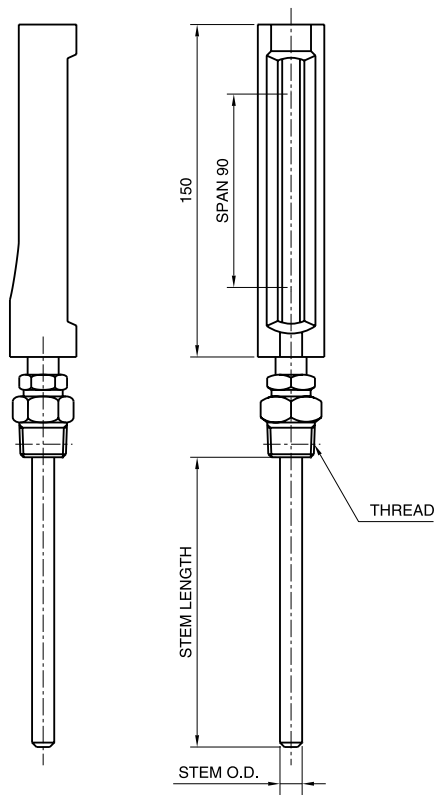
X

1

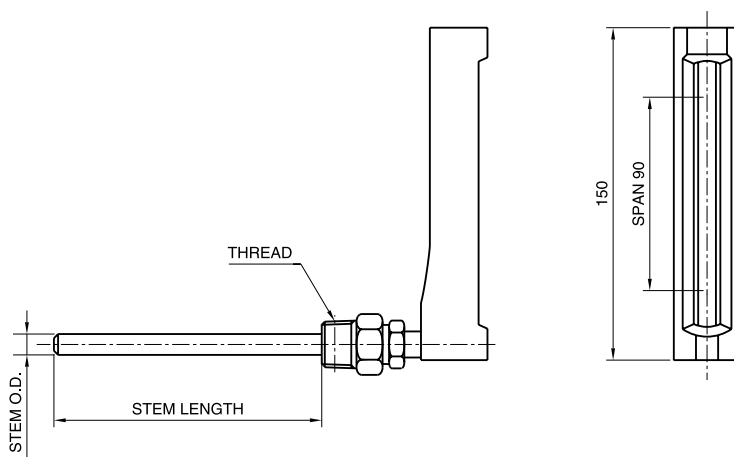
SAMPLE  
MODEL  
NUMBER

# T400 : TYPE OF MOUNTING

CODE V



CODE W



## SCALE RANGES

Code	Scale Range (°C)	Scale Spacing (°C)	Minimum Stem Length (mm)		
			8.0	10.0	12.0
032	-50~50	2	100	85	65
037	-50~100	5	100	88	65
054	-30~50	2	100	85	65
059	-30~100	2	100	85	65
061	-30~120	5	100	85	65
069	-20~50	2	100	85	65
074	-20~100	2	100	85	65
079	-20~150	5	100	85	65
084	-10~50	1	100	85	65
099	0~50	1	100	85	65
100	0~60	1	100	85	65
101	0~70	2	100	85	65
102	0~80	2	100	85	65
104	0~100	2	100	85	65
106	0~120	2	100	85	65
109	0~150	5	100	85	65
114	0~200	5	100	85	65
119	0~250	5	100	85	65
124	0~300	5	100	45	40
129	0~350	5	100	45	40
134	0~400	10	100	45	40
144	0~500	10	100	45	40
154	0~600	10	100	45	40
164	0~700	10	100	45	40

## STEM LENGTH

Code	1	2	3	4	5	6	7	8	9	A	B	C
Length(mm)	50	60	70	80	100	120	130	150	175	200	225	250

Code	D	E	F	G	H	J	K	L	M	N	P	Z
Length(mm)	275	300	350	375	400	450	500	550	1000	1500	2000	Longer than 2000