

GAUGE PROTECTOR

MODEL : A070



SERVICE INTENDED

It is used for protecting the gauges from over range pressure.
The gauge protector close at a adjusted setpoint pressure.

ORDERING INFORMATION

BASE MODEL - 1st thru 4th characters

Accuracy

±10% in normal operation (F·S 5~10%내외)

A070 : GAUGE PROTECTOR



5th Character		6th Character		7th Character		8th Character	
Code	Pressure	Code	Material	Code	Gauge Connection Size	Code	Gauge Connection Type
P	3~10kPa	D	316SS	2	1/2"	C	NPT"(F)
L	15~50kPa	G	Monel				
N	70kPa~0.2MPa						
H	0.3~4MPa						
		Z	Other	9	Other	Z	Other

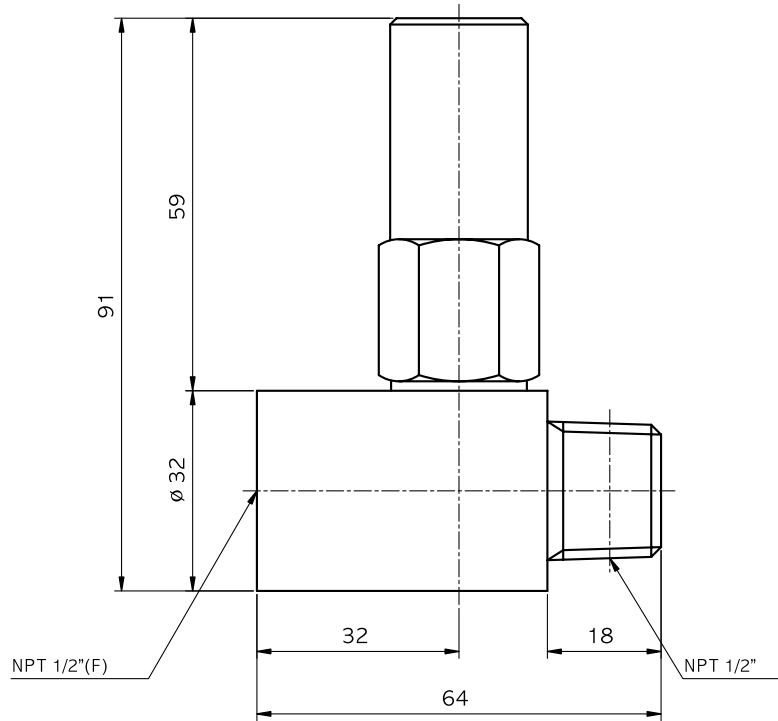
9th Character		10th Character		11th~15th Character	
Code	Precess Connection Size	Code	Precess Connection Size	Code	Unused Characters
D	1/2"	J	NPT"(M)	A0000	
Z	Other	9	Other		

Standard Features

MODEL NO.	TYPE	SET PRESSURE	CONNECTION
A070ND2CDJA0000	Medium Press	70kPa~0.2MPa	1/2NPT(F)X1/2NPT(M)

A070 : TYPE OF MOUNTING

CODE N,H



CODE P,L

