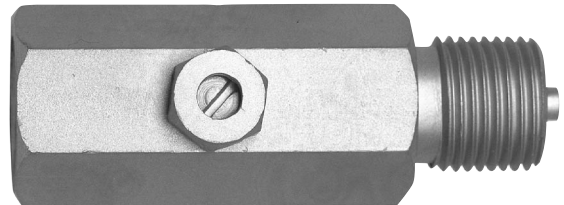


**PULSATION DAMPENER
MODEL : A040**



SERVICE INTENDED

It is used for reducing the pressure pulsation flowing from pump or air compressor in order to facilitate pressure gauge reading. If the liquids and gases only are enough clean and compatible with the material of the dampener. It is applicable to kind of liquids or gases.



ORDERING INFORMATION

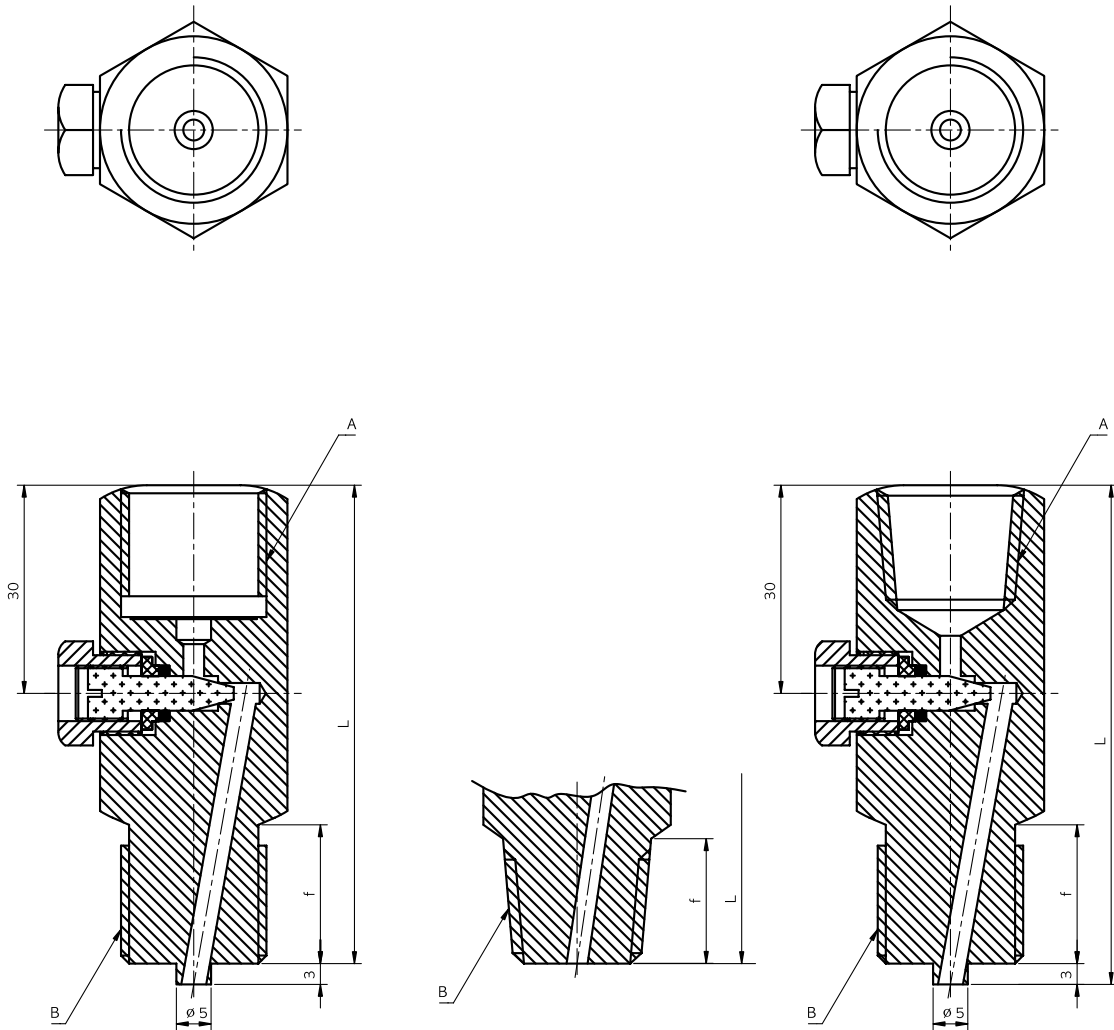
BASE MODEL - 1st thru 4th characters
A040 : PULSATION DAMPENER
MAX STATIC PRESSURE UP TO 25Mpa

5th Character		6th Character		7th Character		8th Character	
Code	Unused Character	Code	Material	Code	Gauge Connection Size	Code	Gauge Connection Type
A		A	Brass	0	1/4"	A	PF(F)
		C	304SS	1	3/8"	B	PT(F)
		D	316SS	2	1/2"	C	NPT(F)
		F	316LSS				
		Z	Other	9	Other	Z	Other

9th Character		10th Character		11th thru 15th Character	
Code	Process Connection Size	Code	Process Connection Size	Code	Unused Character
B	1/4"	G	PF(M)	A0000	
C	3/8"	H	PT(M)		
D	1/2"	J	NPT(M)		
Z	Other	Z	Other		

A040AC1BDJA0000 SAMPLE ORDERING NUMBER

A040 : PULSATION DAMPENER



Dimensions (mm)

A	B	f	L
PF3/8	PF3/8	18	66
	PF1/2	20	66
PF1/2	NPT3/8	16	66
	NPT1/2	18	66
NPT3/8	PF3/8	18	63
	PF1/2	20	63
NPT1/2	NPT3/8	16	63
	NPT1/2	18	63