

DIFFERENTIAL PRESSURE GAUGE WITH ELECTRICAL CONTACT MODEL : P621, P622, P623, P624, P625 SERIES



SERVICE INTENDED

P621 to P625 series are designed to measure differential pressure from 5kPa to 1Mpa at static pressure up to 5Mpa and have electrical contact. P621 to P625 series are to be intended to control and alarm for differential pressure, providing right time to replace air and sludge filter in the process.

NOMINAL DIAMETER

100mm, 150mm

ACCURACY

±1.5% of Full Scale

±1.0% of Full Scale

SCALE RANGE (MPa, kPa, bar)

0 ~ 5 to 0 ~ 50kPa and

0 ~ 0.1 to 0 ~ 1.5MPa

STATIC PRESSURE

5Mpa

WORKING TEMPERATURE

Ambient : -20 ~ 65°C

Fluid : -20 ~ 80°C

DEGREE OF PROTECTION

IP56



Standard Features

PRESSURE CONNECTION

Stainless Steel (316SS), Monel

ELEMENT

Bellows

Stainless Steel (316SS), Monel

CASE & BEZEL RING

Stainless Steel (304SS)

Bayonet Type

DIAL

White Aluminium with
Black Graduations

CONTACT

Contact Rating :

DC110V, 0.3A / DC220V, 0.15A

AC110V, 0.5A / AC220V, 0.25A

Dielectric Strength : AC 1000V/MIN

CONDUIT CONNECTION

M20x1.5P

WINDOW

Polycarbonate

POINTER

Aluminium alloy, Black painted

PROCESS CONNECTION

1/4", NPT(F)

1/2", NPT(F) at 3-valve Manifold
and 5-valve Manifold.

STANDARD ACCESSORIES

- Mounting Bracket for 2" Pipe Mounting
Silver gray Finished Steel

OPTIONS

- Remote Seal
- Mounting Bracket with 316SS
for 2" Pipe Mounting.
- 3-valve Manifold (316SS)
- 5-valve Manifold (316SS)

ORDERING INFORMATION

BASE MODEL

- P621 : HIGH ALARM CONTACT DIFF, PRESSURE GAUGE**
- P622 : HIGH AND LOW ALARM CONTACT DIFF, PRESSURE GAUGE**
- P623 : LOW ALARM CONTACT DIFF, PRESSURE GAUGE**
- P624 : HIGH AND H/HIGH ALARM CONTACT DIFF, PRESSURE GAUGE**
- P625 : LOW AND L/LOW ALARM CONTACT DIFF, PRESSURE GAUGE**

NOMINAL DIAMETER

- 4 : 100mm
- 6 : 150mm

MOUNTING TYPE (Refer to Mounting type & Dimension)

- D : Bottom Connection, Mounting Bracket for 2" Pipe

ACCURACY

- 3 : ±1.0% of Full Scale.
- 4 : ±1.5% of Full Scale.

PROCESS CONNECTION

- C : 1/4" NPT(F)
- E : 1/2" NPT(F) (Only at 3-way & 5-way Valve manifold)

MOUNTING BRACKET TYPE

- D : Standard Bracket
- E : 304SS Mounting Bracket
- F : 316SS Mounting Bracket
- W : Wall Mounting Bracket (316SS)

UNIT

- J : kPa
- S : mbar
- H : bar
- I : MPa

RANGE

- 041 : 0~0.1MPa
- 042 : 0~0.2MPa
- 043 : 0~0.3MPa
- 044 : 0~0.4MPa
- 045 : 0~0.6MPa
- 047 : 0~1MPa
- 050 : 0~1.5MPa
- 066 : 0~5kPa, Not available with Remote Seal type
- 070 : 0~10kPa, Not available with Remote Seal type
- 119 : 0~30kPa, Not available with Remote Seal type
- 123 : 0~50kPa

DIAL COLOR

- 3 : 2 Colors

OPTIONS

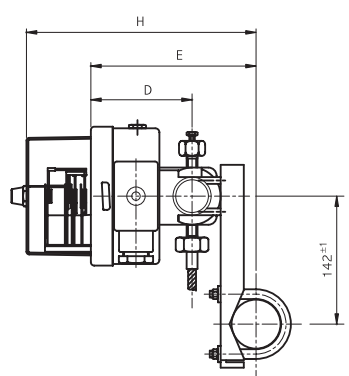
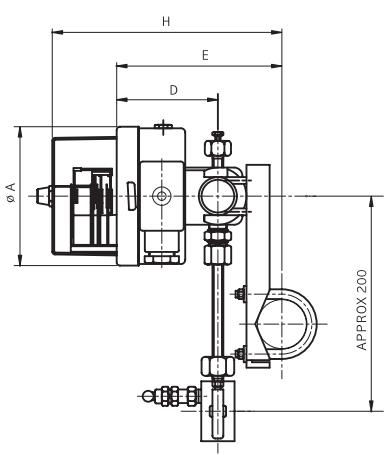
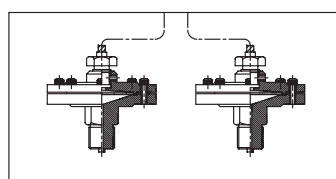
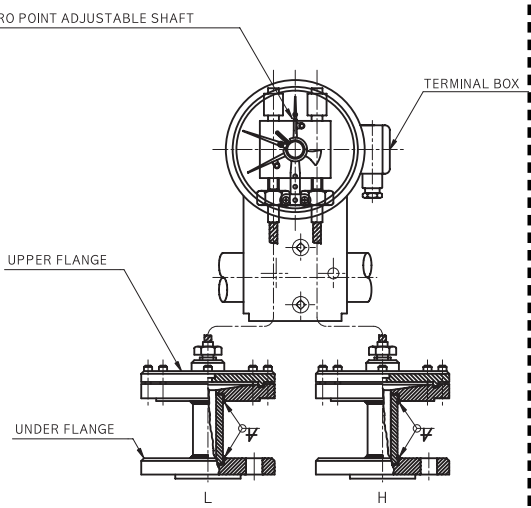
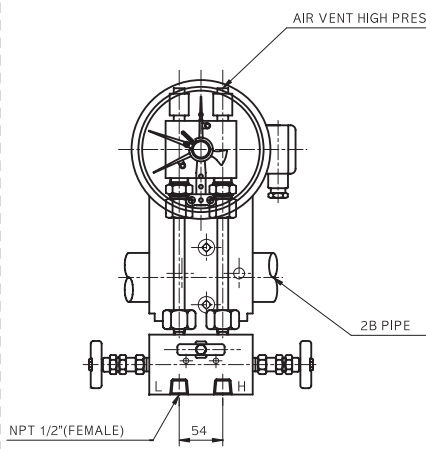
- 0 : Standard (Mounting Bracket for 2" Pipe)
- 1 : Accessories (3-way & 5-way Valve manifold)
- 4 : 1/2" or 3/4" NPT(F) Conduit Connection

P623	6	D	4	E	D	I	047	3	1	SAMPLE MODEL NUMBER
-------------	----------	----------	----------	----------	----------	----------	------------	----------	----------	----------------------------

P621 TO P625 : TYPE OF MOUNTING

CODE P621, P622, P623, P624, P625

CODE P621, P622, P623, P624, P625(Remote seal)



Dimensions (mm)

DIAL SIZE	A	D	E	H
100	101.3	98	158.5	193
150	168.5	108	168.5	203

CONVERSION TABLE

PRESSURE CONVERSION CHART								
PSI	ATM	kg/cm ²	in.H ₂ O	mmHg	in.Hg	kPa	Bar	mmH ₂ O
1	0.068046	0.070307	27.7276	51.715	2.03602	6.895	0.06895	704.28104
14.696	1	1.0332	407.484	760	29.921	101.325	1.01325	10350.0936
14.2233	0.96784	1	394.38	735.559	28.959	98.096	0.98067	10000
0.036092	0.002454	0.00253	1	1.8651	0.07343	0.249	0.00249	25.4
0.019336	0.001315	0.001359	0.53616	1	0.03937	0.1333	0.001333	13.618464
0.491154	0.0033421	0.03453	13.6185	25.4	1	3.3864	0.033864	345.9099
0.145	0.00987	0.010197	4.0186	7.5006	0.2953	1	0.01	102.07244
14.5038	0.98692	1.01972	402.156	750.062	29.53	100	1	10214.7624
0.00142	0.000097	0.0001	0.03937	0.0734	0.0029	0.0098	0.000098	1

VOLUME CONVERSION CHART							
GALLON (U.S)	CUBIC FEET	CUBIC INCHES	BARRELS (OIL)	CUBIC CM	CUBIC METER	LITER	IMP. GALLON
1	0.1337	231	0.02381	3785	0.003785	3.785	0.8327
7.481	1	1728	0.1781	28320	0.02832	28.32	6.229
0.004329	0.000578	1	0.000103	16.39	0.000016	0.01639	0.003605
42	5.615	9702	1	159000	0.159	158.94	34.97
0.000264	0.000035	0.06102	0.000006	1	0.000001	0.001	0.00022
264.17	35.3144	61023	6.2906	1000000	1	1000	220.1
0.264	0.0353	61.03	0.0629	1000	0.001	1	0.22
1.201	0.1606	277.4	0.0286	4546	0.004546	4.546	1

MASS CONVERSION CHART							
lb.	oz.	kg	gm	gal H ₂ O (32F)	long ton	metric tonne	ton
1	16	0.4536	453.6	0.1198	0.000446	0.000453	0.0005
0.0625	1	0.02835	28.35	0.00749	0.000027	0.000028	0.000031
2.205	35.27	1	1000	0.2642	0.009839	0.001	0.001102
0.002205	0.03527	0.001	1	0.000264	0.000000	0.000001	0.000001
8.345	133.5	3.785	3785	1	0.003726	0.003786	0.004171
2240	35840	1016.4	1016363	268.352	1	1.016	1.12
2204.6	35273	1000	1000000	264.11	0.9842	1	1.1023
2000	32000	907.03	909090.9	239.7	0.892857	0.907194	1

DENSITY CONVERSION CHART			
lb/ft ³	gm/cm ³	kg/m ³	lb/m ³
1	0.016018	16.0184	0.000578
62.43	1	1000	0.03613
0.06243	0.001	1	0.000036
1728	27.68	27679.8	1