

HIGH STATIC DIFFERENTIAL PRESSURE GAUGE WITH ELECTRICAL CONTACT MODEL : P631, P632, P633, P634, P635 SERIES



SERVICE INTENDED

P631 to P635 series are designed to measure differential pressure from 5kPa to 1Mpa at static pressure up to 25Mpa and have electrical contact. P631 to P635 are intended to control alarm for differential pressure, providing right time to replace air and sludge filter in the process.

NOMINAL DIAMETER

100mm, 150mm

ACCURACY

±1.5% of Full Scale

±1.0% of Full Scale

SCALE RANGE (MPa, kPa, bar)

0 ~ 5 to 0 ~ 50kPa and

0 ~ 0.1 to 0 ~ 1.5MPa

STATIC PRESSURE

25MPa

WORKING TEMPERATURE

Ambient : -20 ~ 65°C

Fluid : -20 ~ 80°C

DEGREE OF PROTECTION

IP56



Standard Features

PRESSURE CONNECTION

Stainless Steel (316SS), Monel

ELEMENT

Bellows

Stainless Steel (316LSS), Monel

CASE & BEZEL RING

Stainless Steel (304SS)

Bayonet Type

DIAL

White Aluminium with
Black Graduations

CONTACT

Contact Rating :

DC110V, 0.3A / DC220V, 0.15A

AC110V, 0.5A / AC220V, 0.25A

Dielectric Strength : AC 1000V/MIN

CONDUIT CONNECTION

M20x 1.5P

WINDOW

Polycarbonate

POINTER

Aluminium alloy, Black painted

PROCESS CONNECTION

1/4", NPT(F)

1/2", NPT(F) at 3-valve Manifold

and 5-valve Manifold.

STANDARD ACCESSORIES

- Mounting Bracket for 2" Pipe Mounting
- Silver gray Finished Steel

OPTIONS

- Remote Seal
- Mounting Bracket with 316SS for 2" Pipe Mounting.
- 3-valve Manifold (316SS)
- 5-valve Manifold (316SS)

ORDERING INFORMATION

BASE MODEL

- P631 : HIGH ALARM CONTACT DIFF, PRESSURE GAUGE**
- P632 : HIGH AND LOW ALARM CONTACT DIFF, PRESSURE GAUGE**
- P633 : LOW ALARM CONTACT DIFF, PRESSURE GAUGE**
- P634 : HIGH AND H/HIGH ALARM CONTACT DIFF, PRESSURE GAUGE**
- P635 : LOW AND L/LOW ALARM CONTACT DIFF, PRESSURE GAUGE**

NOMINAL DIAMETER

- 4 : 100mm
- 6 : 150mm

MOUNTING TYPE (Refer to Mounting type & Dimension)

D : Bottom Connection, Mounting Bracket for 2"pipe

ACCURACY

- 3 : ±1.0% of Full Scale.
- 4 : ±1.5% of Full Scale.

PROCESS CONNECTION

- C : 1/4" NPT(F)
- E : 1/2" NPT(F) (Only at 3-way & 5-way valve manifold)

MOUNTING BRACKET TYPE

- D : Standard Bracket
- E : 304SS Mounting Bracket
- F : 316SS Mounting Bracket
- W : Wall Mounting Bracket (316SS)

UNIT

- J : kPa
- S : mbar
- H : bar
- I : MPa

RANGE

- 041 : 0~0.1MPa
- 042 : 0~0.2MPa
- 043 : 0~0.3MPa
- 044 : 0~0.4MPa
- 045 : 0~0.6MPa
- 047 : 0~1MPa
- 050 : 0~1.5MPa
- 066 : 0~5kPa, Not available with Remote Seal type
- 070 : 0~10kPa, Not available with Remote Seal type
- 119 : 0~30kPa, Not available with Remote Seal type
- 123 : 0~50kPa

DIAL COLOR

- 3 : 2 Colors

OPTIONS

- 0 : Standard (Mounting Bracket for 2" Pipe)
- 1 : Accessories (3-way & 5-way valve manifold)
- 4 : 1/2" or 3/4" NPT(F) Conduit Connection

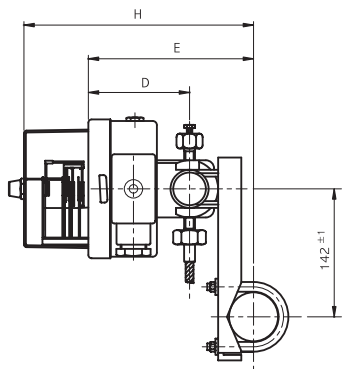
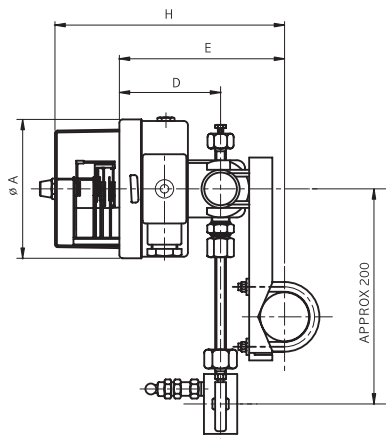
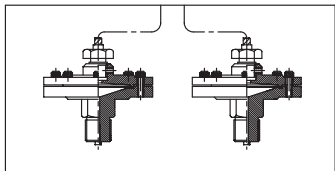
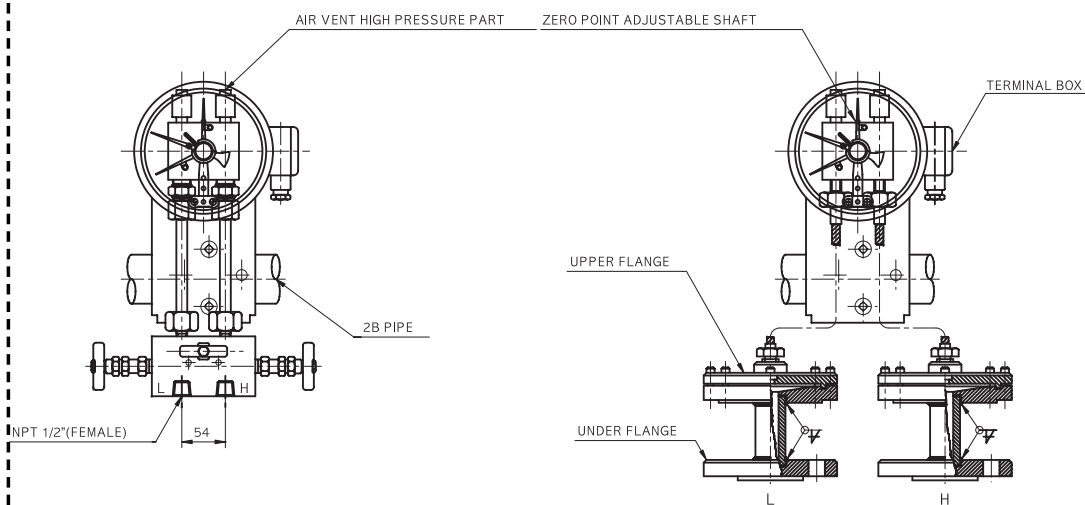


SAMPLE MODEL NUMBER

P631 TO P635 : TYPE OF MOUNTING

CODE P631, P632, P633, P634, P635

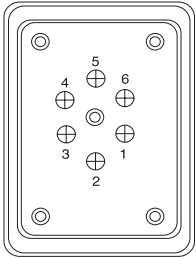
CODE P631, P632, P633, P634, P635(Remote seal)



Dimensions (mm)

DIAL SIZE	A	D	E	H
100	101.3	98	158.5	193
150	168.5	108	168.5	203

TERMINAL BLOCK ARRANGEMENT



- ① HIGH or LOW
- ② COMMON
- ③ H/HIGH or L/LOW
- ④ GROUND
- ⑤ NOT USED
- ⑥ NOT USED