

**ELECTRICAL CONTACT PRESSURE GAUGE
WITH STEEL CASE
MODEL : P531, P532, P533, P534, P537, P539 SERIES**



SERVICE INTENDED

P530 Series is designed for local reading of measured pressure and is equipped with an electrical contact block that allows all combinations of contacts to be used. The contact block is mounted on the dial. The window is fitted with a knob for external adjustment of the set points.

NOMINAL DIAMETER

100 and 150mm

ACCURACY

±1.5% of Full Scale

SCALE RANGE (MPa, kPa, bar)

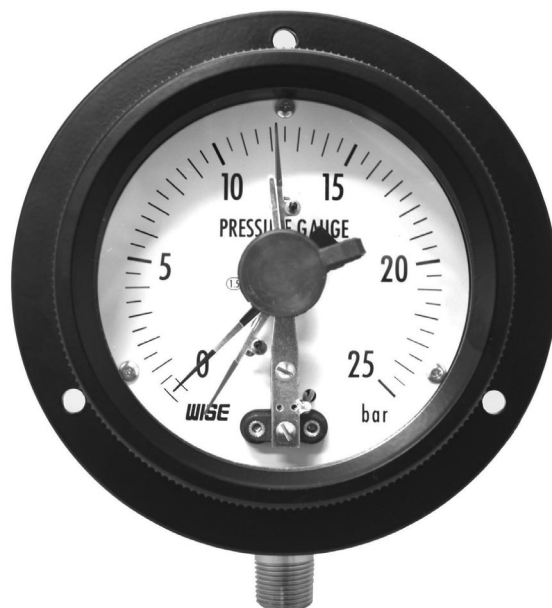
-0.1 ~ 0 to -0.1 ~ 2MPa
0 ~ 0.1 to 0 ~ 100MPa

WORKING PRESSURE

Steady : 75% of Full Scale
Over Range Protection : 130% of Full Scale

WORKING TEMPERATURE

Ambient : -20 ~ 65°C
Fluid : -20 ~ 80°C



Standard Features

PRESSURE CONNECTION

Brass, Stainless Steel (316SS)

ELEMENT

100mm
<5MPa : Brass
≥5MPa : 316SS

ELEMENT

150mm
<2MPa : Brass
≥2MPa : 316SS

CASE

Black Finished Aluminium.

COVER

Black Finished Aluminium.
Screwed

WINDOW

Acrylic Resin

MOVEMENT

Brass

DIAL

White Aluminium with Black Graduations

POINTER

BsT₃ Alloy, Black Painted Pointer with Golden Plated

CONTACTS

Contact Rating : AC110V, 0.5A/AC 220V 0.25A
DC110V, 0.3A/DC 220V 0.15A

Dielectric Strength : AC 1000V/min
Insulation Resistance : More than 100Mohm at DC 500V

PROCESS CONNECTION

3/8", 1/2" PT, NPT & PF

ORDERING INFORMATION

BASE MODEL

- P531 : HIGH ALARM CONTACT TYPE PRESSURE GAUGE**
- P532 : HIGH AND LOW ALARM CONTACT TYPE PRESSURE GAUGE**
- P533 : LOW ALARM CONTACT TYPE PRESSURE GAUGE**
- P534 : HIGH AND H/HIGH ALARM CONTACT TYPE PRESSURE GAUGE**
- P537 : LOW AND L/LOW ALARM CONTACT TYPE PRESSURE GAUGE**
- P539 : HIGH ALARM CONTACT TYPE PRESSURE GAUGE FOR TRANSFORMER**

NOMINAL DIAMETER

- 4** : 100mm
- 6** : 150mm, Not available with Model P539 Series

MOUNTING TYPE (Refer to Mounting type & Dimension)

- A** : Bottom Connection, Direct
- B** : Bottom Connection, Surface, Case Mounting Plate. Not available with Diameter 150mm
- G** : Lower Back Connection, Direct, Not Available with diameter 100mm. Only available with Model P539
- L** : Lower Back Connection, Flush, Case Center Mounting Plate, Not available with Diameter 150mm
- M** : Lower Back Connection, Flush, Cover Center Mounting Bracket, Only available with Diameter 150mm

ACCURACY

- 4** : ±1.5% of Full Scale

PROCESS CONNECTION

- D** : 3/8"
- E** : 1/2", Only Available with "L" Mounting Type

CONNECTION TYPE

- C** : PT
- D** : NPT
- B** : PF
- Z** : Other

UNIT

- I** : MPa
- J** : kPa
- H** : bar

RANGE

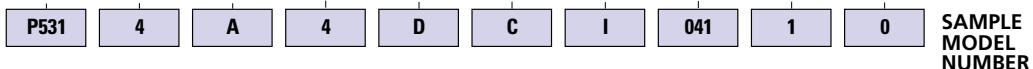
Refer to Pressure Range Table

PRESSURE CONNECTION MAT'L AND DIALS COLOR

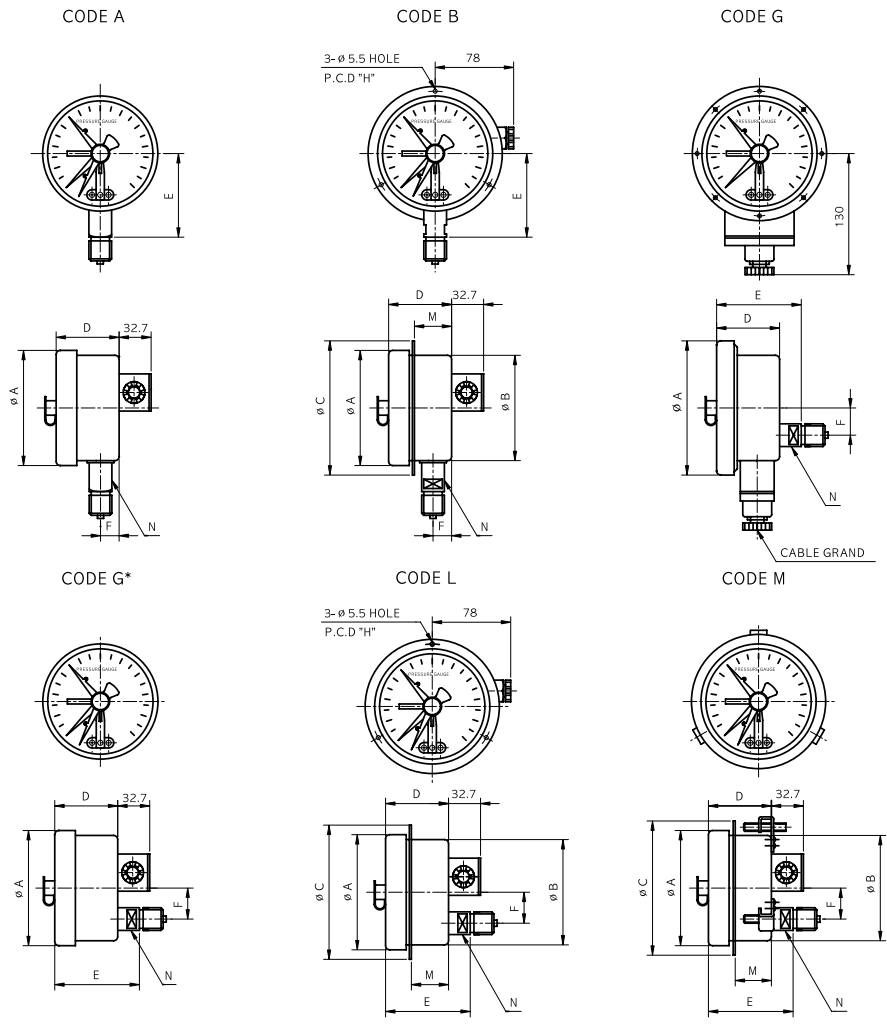
- 1** : Brass & 2 Colors
- 3** : 316SS & 2 Colors
- 5** : Brass & 3 Colors, Available with Compound and Vacuum Gauge
- Z** : 316SS & 3Colors, Available with Compound and Vacuum Gauge

OPTIONS

- 0** : None
- 1** : Accessories



P530 SERIES : TYPE OF MOUNTING



Dimensions (mm)

DIAL SIZE	AVAILABLE CODE	A	B	C	D	E	F	H	M	N	
100	P531	A			78.5	74	15			14	
		B	110	107	136	78.5	74	15	120	58.5	14
	P533	L	110	107	136	78.5	97.3	36	120	58.5	17
		A	110			78.5	74	15			14
	P532	B	110	107	136	78.5	74	15	120	58.5	14
		L	110	107	136	78.5	97.3	36	120	58.5	17
	P537	A	110			78.5	74	15			14
		B	110	107	136	78.5	74	15	120	58.5	14
		L	110	107	136	78.5	97.3	36	120	58.5	17
		G	134			68	86	36			14
P539	G	134			68	86	36			14	
150	P531	A	172			68.5	107	18.2			22
		G*	172			68.5	86.3	45			17
		M	172	159	192	69	86.8	45		60	17
	P532	A	172			68.5	107	18.2			22
		G*	172			68.5	86.3	45			17
		M	172	159	192	69	86.8	45		60	17
	P537	A	172			68.5	107	18.2			22
		G*	172			68.5	86.3	45			17
		M	172	159	192	69	86.8	45		60	17
		M	172	159	192	69	86.8	45		60	17

PRESSURE UNIT & RANGE TABLE

RANGE & CODE	UNIT & CODE			P531, P532, P533, P534, P537		P539
	H : bar	J : kPa	I : MPa	100mm	150mm	100mm
026	-1~0	-100~0	-0,1~0	○	○	○
040	0~0,5	0~50	-0,1~0,05	○	○	○
041	0~1	0~100	-0,1~0,1	○	○	○
042	0~2	0~200	-0,1~0,2	○	○	○
043	0~3	0~300	-0,1~0,3	○	○	○
044	0~4	0~400	-0,1~0,4	○	○	○
045	0~6	0~600	-0,1~0,6	○	○	○
047	0~10	0~1000	-0,1~1	○	○	○
050	0~15	X	0~1,5	○	○	○
051	0~20	X	0~2	○	○	○
052	0~25	X	0~2,5	○	○	○
054	0~35	X	0~3,5	○	○	○
055	0~50	X	0~5	○	○	○
057	0~70	X	0~7	○	○	○
058	0~100	X	0~10	○	○	○
059	0~150	X	0~15	○	○	○
062	0~250	X	0~25	○	○	○
064	0~350	X	0~35	○	○	○
066	0~500	X	0~50	○	○	○
068	0~700	X	0~70	○	○	○
070	0~1000	X	0~100	○	○	○
027	-1~1	-100~100	-0,1~0,1	○	○	○
028	-1~2	-100~200	-0,1~0,2	○	○	○
029	-1~3	-100~300	-0,1~0,3	○	○	○
030	-1~4	-100~400	-0,1~0,4	○	○	○
031	-1~6	-100~600	-0,1~0,6	○	○	○
032	-1~10	-100~1000	-0,1~1	○	○	○
033	-1~15	X	-0,1~1,5	○	○	○
034	-1~20	X	-0,1~2	○	○	○

○ : AVAILABLE × : NOT AVAILABLE