

ELECTRICAL CONTACTS PRESSURE GAUGE WITH Cr PLATED Zn CASE MODEL : P542, P543 SERIES



SERVICE INTENDED

The P542, P543 Series designed for local reading of measured pressure and equipped with electrical contact block that allow all the combinations of contacts to be used. The windows is fitted with a knob for external adjustment of the set points. These are designed to measure Insulation oil pressure for electric cables.

NOMINAL DIAMETER

100 and 150mm

ACCURACY

100mm: $\pm 1.5\%$ of Full Scale

150mm: $\pm 1.0\%$ of Full Scale

SCALE RANGE (MPa, kPa, bar)

-0.1 ~ 0.6MPa or -0.1 ~ 1MPa

WORKING PRESSURE

Steady : 75% of Full Scale

Over Range Protection : 130% of Full Scale

WORKING TEMPERATURE

Ambient : -20 ~ 65°C

Fluid : -20 ~ 80°C

DEGREE OF PROTECTION

IP67



Standard Features

PRESSURE CONNECTION

Stainless Steel (316SS)
Threaded entry, Radial.

ELEMENT

Stainless Steel (316SS)
C Type Bourdon Tube

CASE & BEZEL RING

Cr plated Zinc for 100mm with Dual Setpoint Only
304SS for 100 and 150mm
Screw Type

CONTACTS

Contact : Dual Set point or Triple Set point
Contact Rating : AC 110V, 0.5A/AC220V, 0.25A
Dielectric Strength : AC2000V/min
Insulation Resistance : More than 100Mohm at
DC 500V

MOVEMENT

Stainless Steel

DIAL

White Aluminium With Black Graduations

POINTER

BST₃, Alloy, Black Painted Pointer with Gold plated

WINDOW

Safety Glass

PROCESS CONNECTION

3/8" PF

ORDERING INFORMATION

BASE MODEL

P542 : ELECTRIC CONTACT PRESSURE GAUGE (DUAL CONTACT)

P543 : ELECTRIC CONTACT PRESSURE GAUGE (TRIPLE CONTACT)

NOMINAL DIAMETER

- 4 : 100mm
- 6 : 150mm

MOUNTING TYPE (Refer to Mounting type & Dimension)

- B : Bottom entry & Surface mounting flange

ACCURACY

- 4 : ±1.5% of Full Scale.

CONNECTION (process connection)

- D : 3/8"

CONNECTION TYPE

- B : PF

UNIT

- H : bar
- I : MPa

RANGE

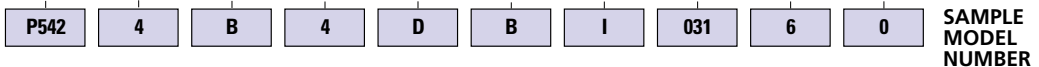
- 029 : -0.1 ~ 0.3MPa(-1~3bar)
- 031 : -0.1 ~ 0.6MPa(-1~6bar)
- 032 : -0.1 ~ 1MPa(-1~10bar)

DIAL COLOR

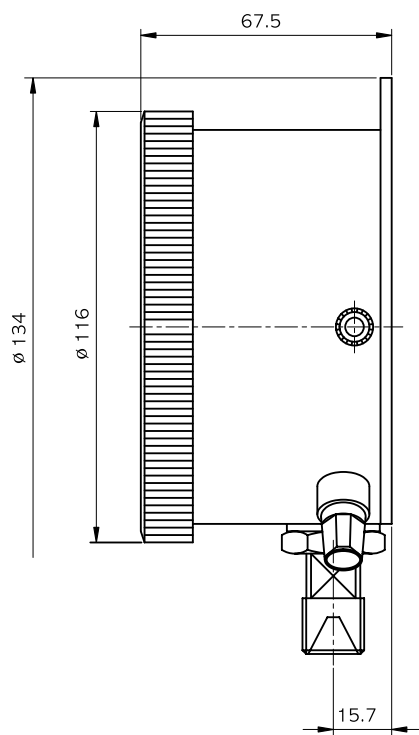
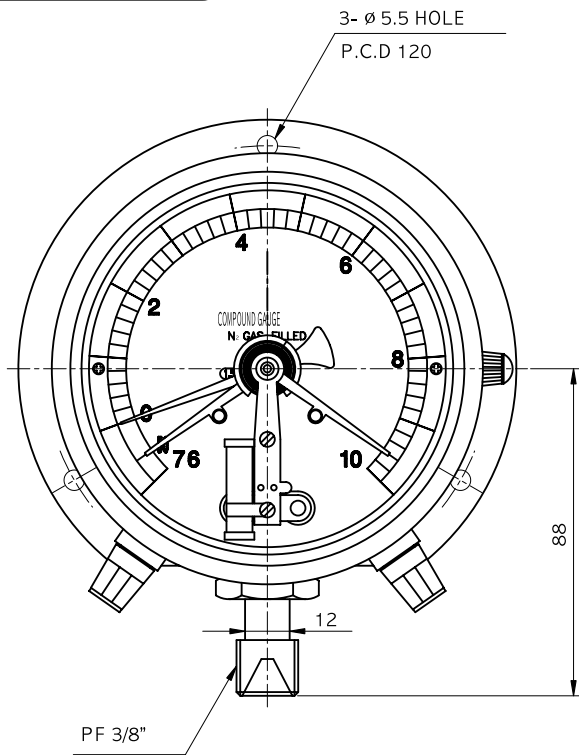
- 6 : 3 Colors

OPTIONS

- 0 : None
- 1 : Accessories



P542 : TYPE OF MOUNTING



CONVERSION TABLE

PRESSURE CONVERSION CHART								
PSI	ATM	kg/cm ²	in.H ₂ O	mmHg	in.Hg	kPa	Bar	mmH ₂ O
1	0.068046	0.070307	27.7276	51.715	2.03602	6.895	0.06895	704.28104
14.696	1	1.0332	407.484	760	29.921	101.325	1.01325	10350.0936
14.2233	0.96784	1	394.38	735.559	28.959	98.096	0.98067	10000
0.036092	0.002454	0.00253	1	1.8651	0.07343	0.249	0.00249	25.4
0.019336	0.001315	0.001359	0.53616	1	0.03937	0.1333	0.001333	13.618464
0.491154	0.0033421	0.03453	13.6185	25.4	1	3.3864	0.033864	345.9099
0.145	0.00987	0.010197	4.0186	7.5006	0.2953	1	0.01	102.07244
14.5038	0.98692	1.01972	402.156	750.062	29.53	100	1	10214.7624
0.00142	0.000097	0.0001	0.03937	0.0734	0.0029	0.0098	0.000098	1

VOLUME CONVERSION CHART							
GALLON (U.S)	CUBIC FEET	CUBIC INCHES	BARRELS (OIL)	CUBIC CM	CUBIC METER	LITER	IMP. GALLON
1	0.1337	231	0.02381	3785	0.003785	3.785	0.8327
7.481	1	1728	0.1781	28320	0.02832	28.32	6.229
0.004329	0.000578	1	0.000103	16.39	0.000016	0.01639	0.003605
42	5.615	9702	1	159000	0.159	158.94	34.97
0.000264	0.000035	0.06102	0.000006	1	0.000001	0.001	0.00022
264.17	35.3144	61023	6.2906	1000000	1	1000	220.1
0.264	0.0353	61.03	0.0629	1000	0.001	1	0.22
1.201	0.1606	277.4	0.0286	4546	0.004546	4.546	1

MASS CONVERSION CHART							
lb.	oz.	kg	gm	gal H ₂ O (32F)	long ton	metric tonne	ton
1	16	0.4536	453.6	0.1198	0.000446	0.000453	0.0005
0.0625	1	0.02835	28.35	0.00749	0.000027	0.000028	0.000031
2.205	35.27	1	1000	0.2642	0.009839	0.001	0.001102
0.002205	0.03527	0.001	1	0.000264	0.000000	0.000001	0.000001
8.345	133.5	3.785	3785	1	0.003726	0.003786	0.004171
2240	35840	1016.4	1016363	268.352	1	1.016	1.12
2204.6	35273	1000	1000000	264.11	0.9842	1	1.1023
2000	32000	907.03	909090.9	239.7	0.892857	0.907194	1

DENSITY CONVERSION CHART			
lb/ft ³	gm/cm ³	kg/m ³	lb/in ³
1	0.016018	16.0184	0.000578
62.43	1	1000	0.03613
0.06243	0.001	1	0.000036
1728	27.68	27679.8	1