

SAFETY PATTERN PRESSURE GAUGE ALUMINIUM CASE, MODEL : P339 SERIES



SERVICE INTENDED

The P339 series are widely used in industries such as fossil, nuclear, aerospace and marine. These gauge cases feature an integral wall between the measuring element and the window and a pressure relieving back for increased safety.

NOMINAL DIAMETER

125mm

ACCURACY

±0.5% and ±1.0% of Full Scale

SCALE RANGE (MPa, kPa, bar)

-0.1MPa ~ 0 to 0 ~ 200MPa

WORKING PRESSURE

Steady : 75% of Full Scale

Over Range Protection : 130% of Full Scale

WORKING TEMPERATURE

Ambient : -20 ~ 65°C

Fluid : +200°C maximum



Standard Features

PRESSURE CONNECTION

Stainless Steel (316SS)

ELEMENT

Stainless Steel (316SS)

<10MPa : C Type Bourdon Tube

≥10MPa : Helical Type Bourdon Tube

CASE & COVER

Black Finished Aluminium

WINDOW

Glass

MOVEMENT

Stainless Steel

DIAL

White Aluminium with Black Graduations

POINTER

PBs2 alloy, Black painted

CONNECTION

3/8, 1/2 PT, NPT & PF

ORDERING INFORMATION

BASE MODEL

P339 : SAFETY PATTERN PRESSURE GAUGE, ALUMINIUM CASE

NOMINAL DIAMETER

5 : 125mm

MOUNTING TYPE (Refer to Mounting type & Dimension)

B : Bottom Connection, Surface, Case Mounting Plate

ACCURACY

3 : ±1.0% of Full Scale.

2 : ±0.5% of Full Scale.

CONNECTION

D : 3/8"

E : 1/2"

CONNECTION TYPE

B : PF

C : PT

D : NPT

UNIT

Refer to Pressure Unit & Range Table

RANGE

Refer to Pressure Unit & Range Table

DIAL COLOR

3 : 2 Colors

Z : 3 Colors, Available with Compound and Vacuum gauges

OPTIONS

0 : None

1 : Accessories

P339

5

B

3

E

C

I

032

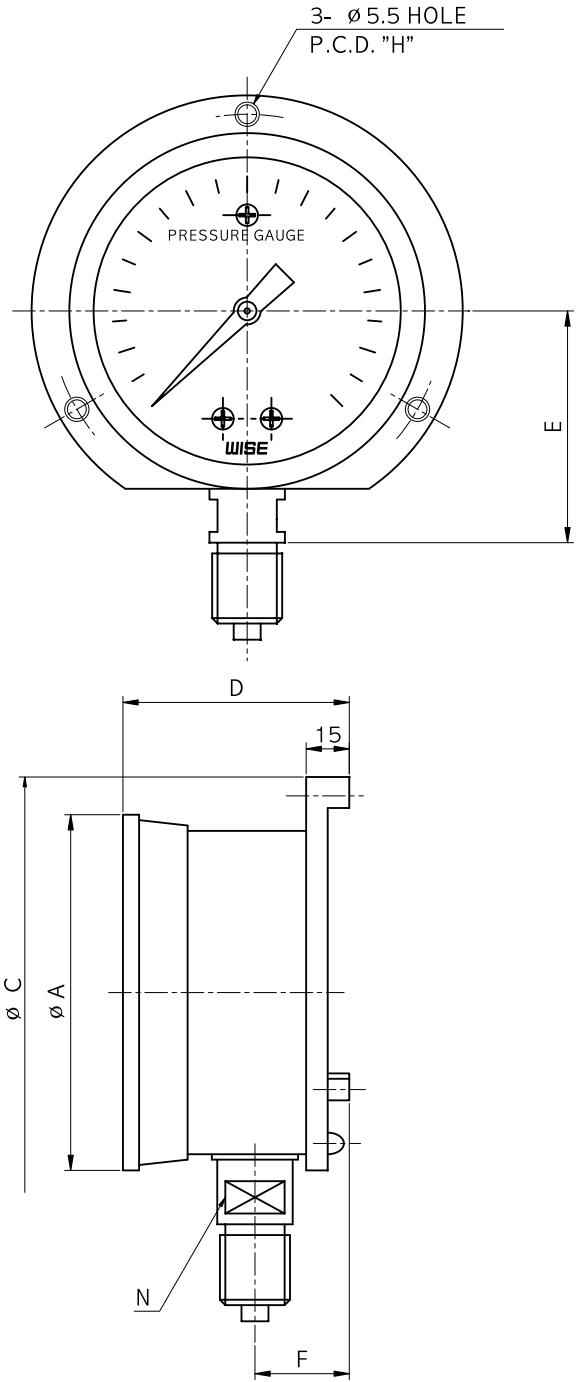
7

0

**SAMPLE
MODEL
NUMBER**

P339 : TYPE OF MOUNTING

CODE B



Dimensions (mm)

DIAL SIZE	AVAILABLE CODE	A	C	D	E	F	H	N
125	B	128	152	73	94	32.5	138	17

PRESSURE RANGE TABLE

RANGE & CODE	UNIT & CODE			ACCURACY	
	H : bar	I : MPa	J : kPa	±0.5%	±1.0%
026	-1	-0,1	-100	○	○
040	0,5	0,05	50	○	○
041	1	0,1	100	○	○
133	1,6	0,16	160	○	○
042	2	0,2	200	○	○
134	2,5	0,25	250	○	○
043	3	0,3	300	○	○
044	4	0,4	400	○	○
045	6	0,6	600	○	○
047	10	1	1000	○	○
050	15	1,5	-	○	○
143	16	1,6	-	○	○
051	20	2	-	○	○
052	25	2,5	-	○	○
054	35	3,5	-	○	○
151	40	4	-	○	○
055	50	5	-	○	○
056	60	6	-	○	○
057	70	7	-	○	○
058	100	10	-	○	○
059	150	15	-	○	○
060	160	16	-	○	○
062	250	25	-	○	○
064	350	35	-	○	○
065	400	40	-	○	○
066	500	50	-	○	○
067	600	60	-	○	○
068	700	70	-	○	○
070	1000	100	-	○	○
074	1600	160	-	○	○
075	2000	200	-	○	○
027	+1	+0,1	+100	○	○
127	-1~1,6	-0,1~0,16	-100~160	○	○
028	-1~2	-0,1~0,2	-100~200	○	○
129	-1~2,5	-0,1~0,25	-100~250	○	○
029	-1~3	-0,1~0,3	-100~300	○	○
030	-1~4	-0,1~0,4	-100~400	○	○
010	-1~5	-0,1~0,5	-100~500	○	○
031	-1~6	-0,1~0,6	-100~600	○	○
014	-1~9	-0,1~0,9	-100~900	○	○
032	-1~10	-0,1~1	-100~1000	○	○
033	-1~15	-0,1~1,5	-100~1,5Mpa	○	○
034	-1~20	-0,1~2	-100~2Mpa	○	○
035	-1~25	-0,1~2,5	-100~2,5Mpa	○	○

○ : AVAILABLE × : NOT AVAILABLE