

**SAFETY PATTERN PRESSURE GAUGE  
SOLID-FRONT TURRET STYLE THERMOPLASTIC CASE  
MODEL : P359 SERIES**



**SERVICE INTENDED**

The P359 safety pattern pressure gauge is 4 1/2" phenolic case for corrosive environment and heat resistance. Solid front, blow-out back case design meets safety requirement.

**NOMINAL DIAMETER**

125mm

**ACCURACY**

±0.5% and ±1.0% of Full Scale

**SCALE RANGE (MPa, kPa, bar)**

-0.1MPa ~ 0 to 0 ~ 200MPa

**WORKING PRESSURE**

Steady : 75% of Full Scale

Over Range Protection : 130% of Full Scale

**WORKING TEMPERATURE**

Ambient : -20 ~ 65°C

Fluid : +200°C maximum (without liquid filling )

-20 ~ 65°C (with liquid filling )



**Standard Features**

**PRESSURE CONNECTION**

Stainless Steel (316SS)

**ELEMENT**

Stainless Steel (316SS)

<10MPa : C Type Bourdon Tube

≥10MPa : Helical Type Bourdon Tube

**CASE & COVER**

Black Glass Reinforced Thermoplastic(PBTB)

Solid Front, Blow-out Back

Turret Style Case with Built in Rear Flange Lugs.

**WINDOW**

Polycarbonate

**MOVEMENT**

Stainless Steel

**DIAL**

White Aluminium with Black Graduations

**POINTER**

Aluminium Black painted

Zero Adjustable Pointer for 0.5 Class

**CONNECTION**

3/8, 1/2 PT, NPT & PF

# ORDERING INFORMATION

## BASE MODEL

**P359** : SAFETY PATTERN PRESSURE GAUGE

### NOMINAL DIAMETER

5 : 125mm

### MOUNTING TYPE (Refer to Mounting type & Dimension)

**B** : Bottom Connection, Surface, Case Mounting Lugs  
**L** : Lower Back Connection, Surface, Case Mounting Lugs

### ACCURACY

**2** : ±0.5% of Full Scale.  
**3** : ±1.0% of Full Scale.

### CONNECTION

**D** : 3/8"  
**E** : 1/2"

### CONNECTION TYPE

**B** : PF  
**C** : PT  
**D** : NPT

### UNIT

**I** : MPa  
**J** : kPa  
**H** : bar

### RANGE

Refer to Pressure Unit & Range Table

### DIAL COLOR

**3** : 2 Colors  
**Z** : 3 Colors, Available with Compound and Vacuum gauges

### OPTIONS

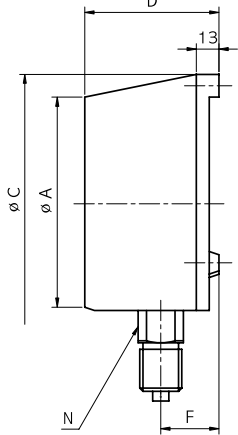
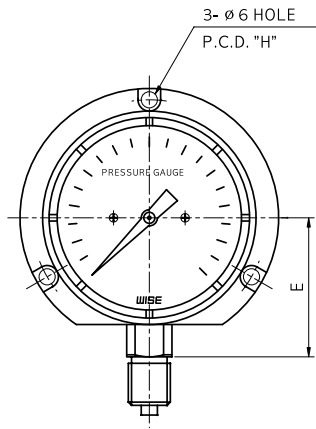
**0** : None  
**1** : Accessories  
**2** : Liquid Filling



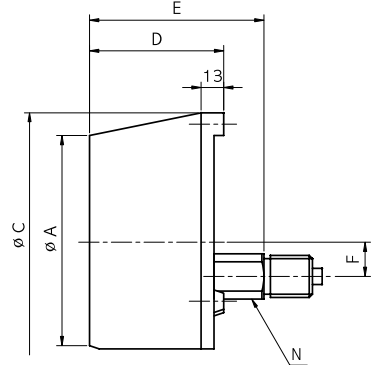
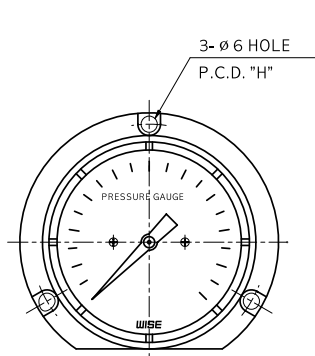
**SAMPLE  
MODEL  
NUMBER**

**P359 : TYPE OF MOUNTING**

CODE B\*



CODE L



Dimensions (mm)

DIAL SIZE	AVAILABLE CODE	A	C	D	E	F	H	N
125	B*	128	149	82.5	82.5	37.5	137.5	22
	L	128	149	82.5	102	27	137.5	22

## PRESSURE RANGE TABLE

RANGE & CODE	UNIT & CODE			ACCURACY	
	H : bar	I : MPa	J : kPa	±0.5%	±1.0%
026	-1	-0.1	-100	○	○
040	0,5	0,05	50	○	○
041	1	0,1	100	○	○
133	1,6	0,16	160	○	○
042	2	0,2	200	○	○
134	2,5	0,25	250	○	○
043	3	0,3	300	○	○
044	4	0,4	400	○	○
045	6	0,6	600	○	○
047	10	1	1000	○	○
050	15	1,5	-	○	○
143	16	1,6	-	○	○
051	20	2	-	○	○
052	25	2,5	-	○	○
054	35	3,5	-	○	○
151	40	4	-	○	○
055	50	5	-	○	○
056	60	6	-	○	○
057	70	7	-	○	○
058	100	10	-	○	○
059	150	15	-	○	○
060	160	16	-	○	○
062	250	25	-	○	○
064	350	35	-	○	○
065	400	40	-	○	○
066	500	50	-	○	○
067	600	60	-	○	○
068	700	70	-	○	○
070	1000	100	-	○	○
074	1600	160	-	○	○
075	2000	200	-	○	○
027	+1	+0,1	+100	○	○
127	-1~1,6	-0,1~0,16	-100~160	○	○
028	-1~2	-0,1~0,2	-100~200	○	○
129	-1~2,5	-0,1~0,25	-100~250	○	○
029	-1~3	-0,1~0,3	-100~300	○	○
030	-1~4	-0,1~0,4	-100~400	○	○
010	-1~5	-0,1~0,5	-100~500	○	○
031	-1~6	-0,1~0,6	-100~600	○	○
014	-1~9	-0,1~0,9	-100~900	○	○
032	-1~10	-0,1~1	-100~1000	○	○
033	-1~15	-0,1~1,5	-100~1,5Mpa	○	○
034	-1~20	-0,1~2	-100~2Mpa	○	○
035	-1~25	-0,1~2,5	-100~2,5Mpa	○	○

○ : AVAILABLE × : NOT AVAILABLE