

EURO GAUGE® LIQUID FILLED PRESSURE GAUGE MODEL : P259 SERIES

WISE®

SERVICE INTENDED

The P259 Series are suitable for corrosive environment. Typical application include : chemical, petrochemical, refining, power, marine or food industry. The filled liquid absorbs vibration effect and pulsation pressure.

NOMINAL DIAMETER

63, 100 and 160mm

ACCURACY

Model : P2592(63mm) : $\pm 1.6\%$ of Full Scale

Model : P2594(100mm) & P2596(160mm) : $\pm 1.0\%$ of Full Scale

SCALE RANGE (MPa, kPa, bar)

63mm : -0.1 ~ 0 to 0 ~ 35MPa

100 and 160mm : -0.1 ~ 0 to 0 ~ 100MPa

WORKING PRESSURE

Steady : 75% of Full Scale

Over Range Protection : 130% of Full Scale

FILLING LIQUID

Glycerine

WORKING TEMPERATURE

Ambient : -20 ~ 65°C

Fluid : -20 ~ 80°C

DEGREE OF PROTECTION

IP67



Standard Features

PRESSURE CONNECTION

Cu Alloy 2.0460

Threaded entry, Radial or back.

ELEMENT

Cu Alloy 2.0460

Model : P2594(100mm) & P2536(160mm)

< 10MPa : C Type Bourdon Tube

≥ 10MPa : Helical Type Bourdon Tube
with 316SS

Model : P2592(63mm)

< 6MPa : C Type Bourdon Tube

≥ 6MPa : Helical Type Bourdon Tube

BLOWOUT PROTECTION

Back, Rubber Disc for 100 and 160mm

Top, Rubber Disc for 63mm

CASE & BEZEL RING

Stainless Steel (304SS)

Bayonet Type

WINDOW

63mm - Glass

100 and 160mm - Safety Glass

MOVEMENT

63mm : Cu Alloy 2.0360

100 and 160mm :

Stainless Steel (304SS)

DIAL

White Aluminum with Black Graduations

POINTER

Aluminium alloy, Black painted

PROCESS CONNECTION

63mm : 1/4" PT, NPT & PF

100 and 160mm : 3/8", 1/2" PT, NPT & PF

OPTIONS

Electropolished Bezel Ring

Zero adjustable pointer

(Only available with diameter 100 and 160mm)

ORDERING INFORMATION

BASE MODEL

P259 : LIQUID FILLED PRESSURE GAUGE

NOMINAL DIAMETER

- 2 : 63mm
- 4 : 100mm
- 6 : 160mm

MOUNTING TYPE (Refer to Mounting type & Dimension)

- A : Bottom Connection, Direct
- B : Bottom Connection, Surface, Case Mounting Plate
- F : Center back Connection, Direct, Only available with diameter 63mm
- G : Lower back Connection, Direct, Only available with diameter 100mm
- H : Center back Connection, Flush, Case Center Mounting Plate, Only available with diameter 63mm
- I : Center back Connection, Flush, Case Center Mounting Plate with Bracket, Only available with diameter 63mm
- J : Center back Connection, Flush, Cover Mounting Plate, Only available with diameter 63mm
- L : Lower back Connection, Flush, Case Center Mounting Plate, Only available with diameter 100mm
- M : Lower back Connection, Flush, Case Center Mounting Bracket, Only available with diameter 100mm
- N : Lower back Connection, Flush, Cover Mounting Plate, Only available with diameter 100mm
- V : Center back Connection, Flush, Cover Mounting Bracket, Only available with diameter 63mm
- W : Lower back Connection, Flush, Cover Mounting Bracket, Only available with diameter 100mm

ACCURACY

- 3 : ±1.0% of Full Scale, Not available with diameter 63mm
- 4 : ±1.6% of Full Scale, Only available with diameter 63mm

CONNECTION

- C : 1/4", Only available with diameter 63mm
- D : 3/8", Not available with diameter 63mm
- E : 1/2", Not available with diameter 63mm

CONNECTION TYPE

- B : PF
- C : PT
- D : NPT
- F : BSPT
- G : BSP
- Z : Other

UNIT

Refer to Pressure Unit & Range Table

RANGE

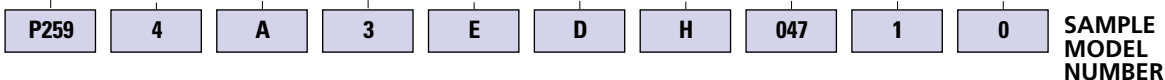
Refer to Pressure Unit & Range Table

DIAL COLOR

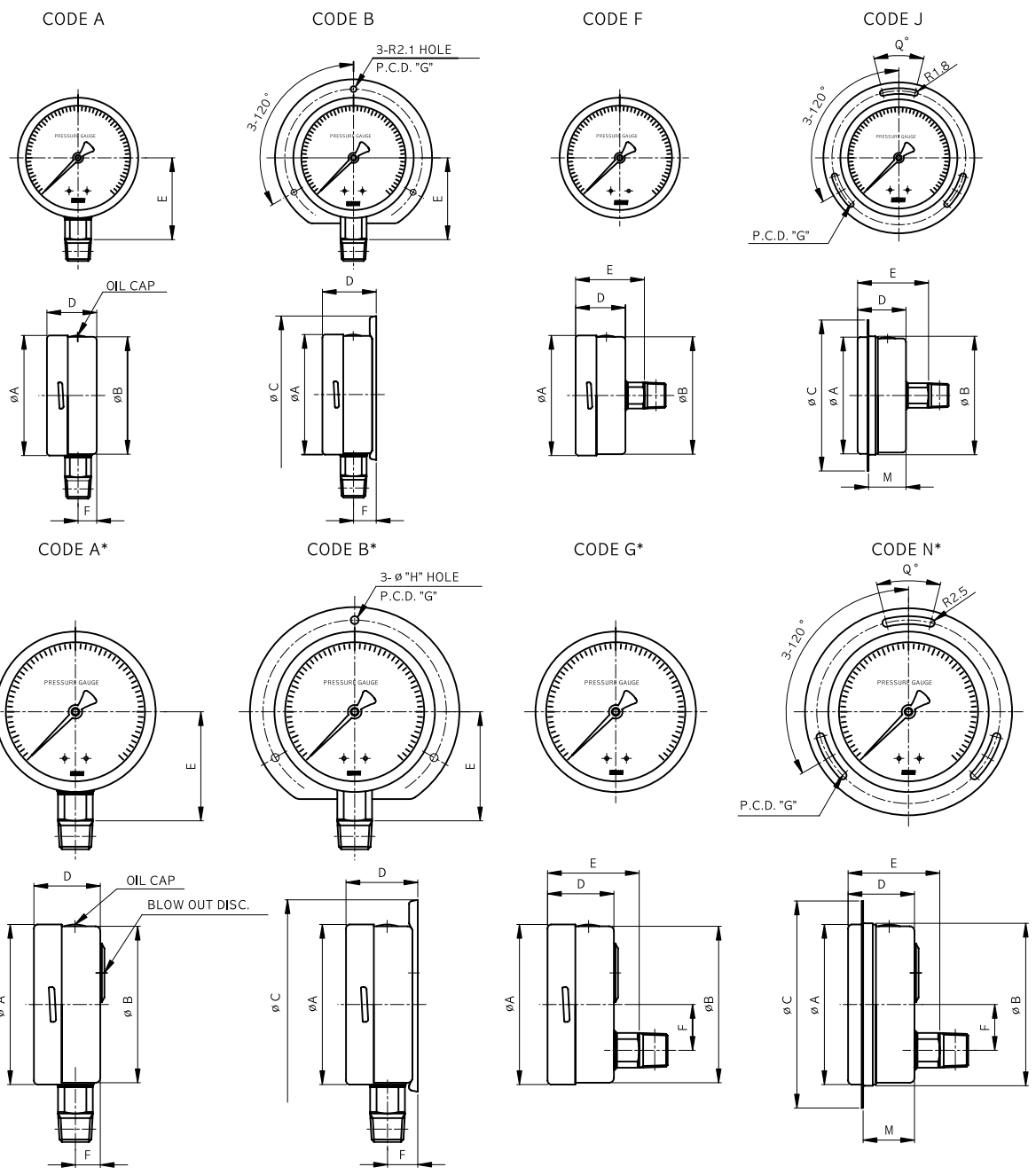
- 1 : 2 Colors
- 5 : 3 Colors

OPTIONS

- 0 : None
- 1 : Accessories



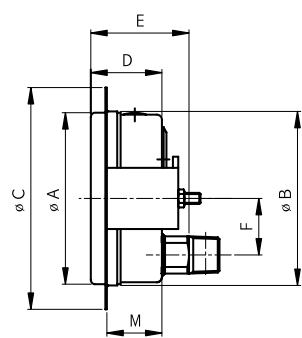
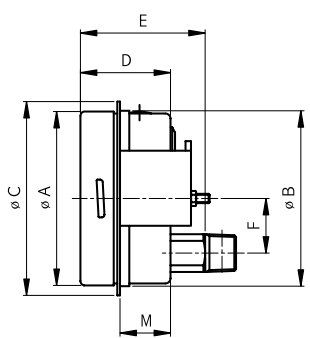
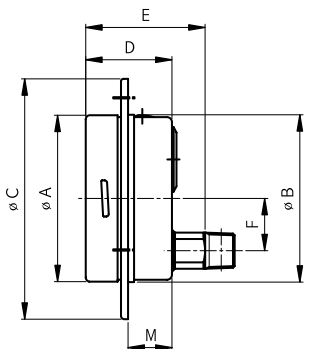
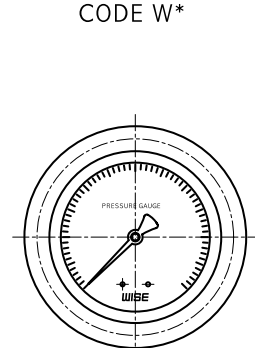
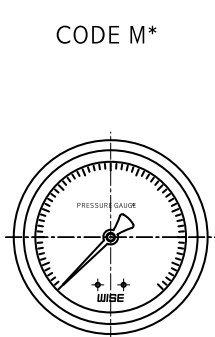
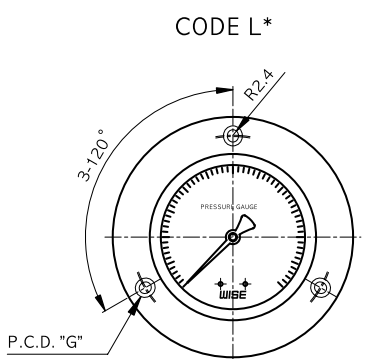
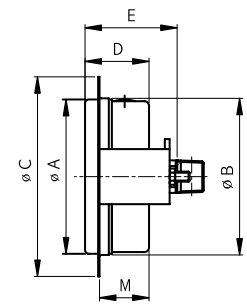
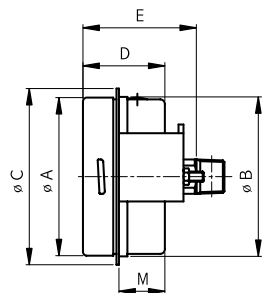
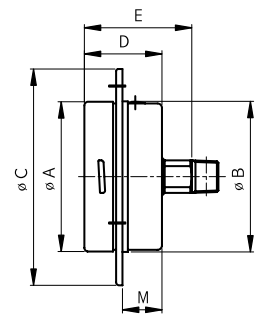
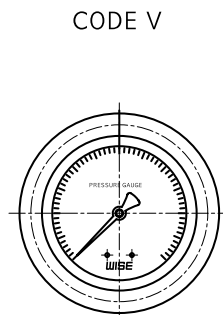
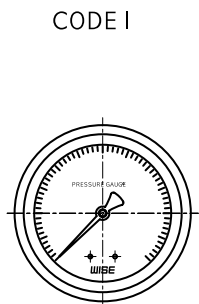
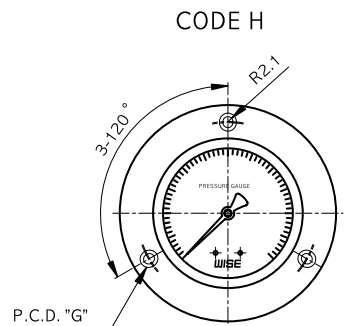
P259 : TYPE OF MOUNTING (1/2)



Dimensions (mm)

DIAL SIZE	AVAILABLE CODE	A	B	C	D	E	F	M	G	H	Q
63	A	63.7	62		34	41.7	11				
	B	63.7		85	37	41.7	15		74~75		
	F	63.7	62		34	45					
	J	63.7	66	86	34	45		28	75		15
100	A*	101.3	99		50	65	16				
	B*	101.3		133	54.4	65	19.4		115~116	R2.5	
	G*	101.3	99		50	65	29				
	N*	101.3	103.1	130.5	50	65	29	45	116		28
160	A*	160.6	159		52.5	94	15.8				
	B*	160.6		196	56	94	19.3		178	5.8	

P259 : TYPE OF MOUNTING (2/2)



Dimensions (mm)

DIAL SIZE	AVAILABLE CODE	A	B	C	D	E	F	M	G
63	H	63.7	64.5	92	34	45			77-78
	I	63.7	63.7	71	34	45		18.5	
	V	63.7	66	86	34	45		28	
100	L*	101.3	100.4	132	50	65	29	27.7	115-116
	M*	101.3	101	107.5	50	65	29	29.5	
	W*	101.3	103.1	130.5	50	65	29	45	

PRESSURE UNIT & RANGE TABLE

RANGE & CODE	UNIT & CODE			NOMINAL DIAMETER		
	H : bar	I : MPa	J : kPa	63mm	100mm	160mm
026	-1	-0,1	-100	○	○	○
040	0,5	0,05	50	X	○	○
041	1	0,1	100	○	○	○
133	1,6	0,16	160	○	○	○
042	2	0,2	200	○	○	○
134	2,5	0,25	250	○	○	○
043	3	0,3	300	○	○	○
044	4	0,4	400	○	○	○
045	6	0,6	600	○	○	○
047	10	1	1000	○	○	○
050	15	1,5	-	○	○	○
143	16	1,6	-	○	○	○
051	20	2	-	○	○	○
052	25	2,5	-	○	○	○
054	35	3,5	-	○	○	○
151	40	4	-	○	○	○
055	50	5	-	○	○	○
056	60	6	-	○	○	○
057	70	7	-	○	○	○
058	100	10	-	○	○	○
059	150	15	-	○	○	○
060	160	16	-	○	○	○
062	250	25	-	○	○	○
064	350	35	-	○	○	○
065	400	40	-	○	○	○
066	500	50	-	X	○	○
067	600	60	-	X	○	○
068	700	70	-	X	○	○
070	1000	100	-	X	○	○
027	+1	+0,1	+100	○	○	○
127	-1~1,6	-0,1~0,16	-100~160	○	○	○
028	-1~2	-0,1~0,2	-100~200	○	○	○
129	-1~2,5	-0,1~0,25	-100~250	○	○	○
029	-1~3	-0,1~0,3	-100~300	○	○	○
030	-1~4	-0,1~0,4	-100~400	○	○	○
010	-1~5	-0,1~0,5	-100~500	○	○	○
031	-1~6	-0,1~0,6	-100~600	○	○	○
014	-1~9	-0,1~0,9	-100~900	○	○	○
032	-1~10	-0,1~1	-100~1000	○	○	○
033	-1~15	-0,1~1,5	-100~1,5Mpa	○	○	○
034	-1~20	-0,1~2	-100~2Mpa	○	○	○
035	-1~25	-0,1~2,5	-100~2,5Mpa	○	○	○

○ : AVAILABLE × : NOT AVAILABLE

CONVERSION TABLE

PRESSURE CONVERSION CHART								
PSI	ATM	kg/cm ²	in.H ₂ O	mmHg	in.Hg	kPa	Bar	mmH ₂ O
1	0.068046	0.070307	27.7276	51.715	2.03602	6.895	0.06895	704.28104
14.696	1	1.0332	407.484	760	29.921	101.325	1.01325	10350.0936
14.2233	0.96784	1	394.38	735.559	28.959	98.096	0.98067	10000
0.036092	0.002454	0.00253	1	1.8651	0.07343	0.249	0.00249	25.4
0.019336	0.001315	0.001359	0.53616	1	0.03937	0.1333	0.001333	13.618464
0.491154	0.0033421	0.03453	13.6185	25.4	1	3.3864	0.033864	345.9099
0.145	0.00987	0.010197	4.0186	7.5006	0.2953	1	0.01	102.07244
14.5038	0.98692	1.01972	402.156	750.062	29.53	100	1	10214.7624
0.00142	0.000097	0.0001	0.03937	0.0734	0.0029	0.0098	0.000098	1

VOLUME CONVERSION CHART							
GALLON (U.S)	CUBIC FEET	CUBIC INCHES	BARRELS (OIL)	CUBIC CM	CUBIC METER	LITER	IMP. GALLON
1	0.1337	231	0.02381	3785	0.003785	3.785	0.8327
7.481	1	1728	0.1781	28320	0.02832	28.32	6.229
0.004329	0.000578	1	0.000103	16.39	0.000016	0.01639	0.003605
42	5.615	9702	1	159000	0.159	158.94	34.97
0.000264	0.000035	0.06102	0.000006	1	0.000001	0.001	0.00022
264.17	35.3144	61023	6.2906	1000000	1	1000	220.1
0.264	0.0353	61.03	0.0629	1000	0.001	1	0.22
1.201	0.1606	277.4	0.0286	4546	0.004546	4.546	1

MASS CONVERSION CHART							
lb.	oz.	kg	gm	gal H ₂ O (32F)	long ton	metric tonne	ton
1	16	0.4536	453.6	0.1198	0.000446	0.000453	0.0005
0.0625	1	0.02835	28.35	0.00749	0.000027	0.000028	0.000031
2.205	35.27	1	1000	0.2642	0.009839	0.001	0.001102
0.002205	0.03527	0.001	1	0.000264	0.000000	0.000001	0.000001
8.345	133.5	3.785	3785	1	0.003726	0.003786	0.004171
2240	35840	1016.4	1016363	268.352	1	1.016	1.12
2204.6	35273	1000	1000000	264.11	0.9842	1	1.1023
2000	32000	907.03	909090.9	239.7	0.892857	0.907194	1

DENSITY CONVERSION CHART			
lb/ft ³	gm/cm ³	kg/m ³	lb/m ³
1	0.016018	16.0184	0.000578
62.43	1	1000	0.03613
0.06243	0.001	1	0.000036
1728	27.68	27679.8	1