

EURO GAUGE®

SOLID FRONT SAFETY PRESSURE GAUGE

MODEL : P257 SERIES

WISE®

SERVICE INTENDED

The P257 Series with solid plate wall and blow out back. Its stainless steel case and cover have good appearance and excellent proof to corrosion & chemical attack.

NOMINAL DIAMETER

63,100 and 160mm

ACCURACY

Model : P2572(63mm) : $\pm 1.6\%$ of Full Scale

Model : P2574(100mm) & P2576(160mm) : $\pm 1.0\%$ of Full Scale

SCALE RANGE (MPa, kPa, bar)

63mm : -0.1 ~ 0 to 0 ~ 100MPa

100 and 160mm : -0.1 ~ 0 to 0 ~ 200MPa

WORKING PRESSURE

Steady : 75% Full Scale

Over Range Protection : 130% of Full Scale

WORKING TEMPERATURE

Ambient : -40 ~ 65°C

Fluid : -200°C maximum (without liquid filling)

-20 ~ 60°C (with liquid filling)

DEGREE OF PROTECTION

IP65



Standard Features

PRESSURE CONNECTION

Stainless Steel(316SS), OPTION - Monel
Threaded entry, radial or back.

ELEMENT

Stainless Steel(316SS), OPTION - Monel

63mm : <6MPa : C Type Bourdon Tube

≥ 6MPa : Helical Type Bourdon Tube

100 and 160mm : <10MPa : C Type Bourdon Tube

≥ 10MPa : Helical Type Bourdon Tube

CASE & BEZEL RING

Stainless Steel (304SS)

Bayonet Type

BLOWOUT PROTECTION

Back

WINDOW

Safety Glass

MOVEMENT

Stainless Steel

DIAL

White Aluminium with Black Graduations

POINTER

Aluminium alloy, Black painted

PROCESS CONNECTION

63mm : 1/8", 1/4" PT, NPT & PF

100 and 160mm : 1/4", 1/2", 3/8" PT, NPT & PF

OPTIONS

Zero adjustable pointer

(Only available with diameter 100 and 160mm)

Liquid Filling

Electropolished Bezel Ring

ORDERING INFORMATION

BASE MODEL

P257 : SOLID FRONT SAFETY PRESSURE GAUGE

NOMINAL DIAMETER

- 2 : 63mm
- 4 : 100mm
- 6 : 160mm

MOUNTING TYPE(Refer to Mounting Type & Dimension)

- A : Bottom Connection, Direct
- C : Bottom Connection, Surface, Cover Mounting Plate, Not available with diameter 63mm
- G : Lower back Connection, Direct, Not available with diameter 160mm
- M : Lower back Connection, Flush, Case Center Mounting Bracket, Not available with diameter 160mm
- N : Lower back Connection, Flush, Cover Mounting Plate, Not available with diameter 160mm

ACCURACY

- 3 : ±1.0% of Full Scale. Not available with diameter 63mm
- 4 : ±1.6% of Full Scale. Only available with diameter 63mm

CONNECTION

- B : 1/8" Only available with diameter 63mm
- C : 1/4"
- D : 3/8" Not available with diameter 63mm
- E : 1/2" Not available with diameter 63mm

CONNECTION TYPE

- B : PF
- C : PT
- D : NPT
- F : BSPT
- G : BSP
- Z : Other

UNIT

Refer to Pressure Unit & Range Table

RANGE

Refer to Pressure Unit & Range Table

DIAL COLOR

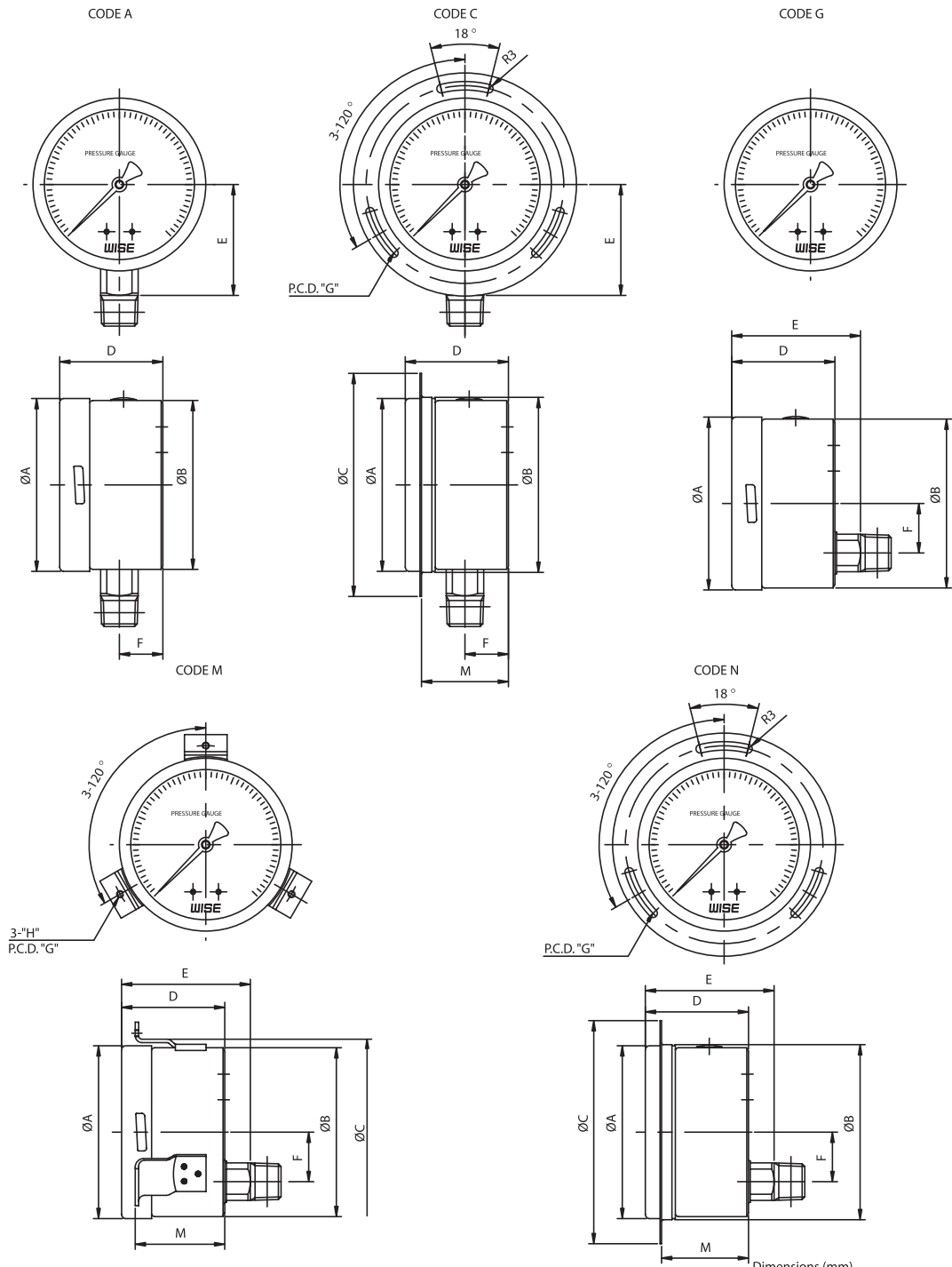
- 3 : 2 Colors
- 7 : 3 Colors

OPTIONS

- O : None
- 1 : Accessories
- 2 : Liquid Filling

P257	4	A	3	E	D	L	045	3	0	SAMPLE MODEL NUMBER
------	---	---	---	---	---	---	-----	---	---	---------------------

P257 : TYPE OF MOUNTING



Dimensions (mm)

DIAL SIZE	AVAILABLE CODE	A	B	C	D	E	F	G	H	M
63	A	63.7	62		42.5	41.8	17.2			
	G	63.7	62		42.5	51	16.7			
	M	63.7	62	68	42.5	51	16.7	75	M3X0.5	34
100	A	101.3	99		59	65	25.5			
	C	101.3	103.1	130.5	59	65	25.5	116		45
	G	101.3	99		59	75.5	29			
	N	101.3	103.1	130.5	59	75.5	29	116		45
160	M	101.3	99	108	59	75.5	29	116	M4X0.7	48
	A	160.8	159.6		62	90	25.6			
	C	160.8	162.5	196	62	90	25.6	178		57

PRESSURE UNIT & RANGE TABLE

RANGE & CODE	UNIT & CODE			NOMINAL DIAMETER		
	H : bar	I : MPa	J : kPa	63mm	100mm	160mm
026	-1	-0,1	-100	○	○	○
040	0,5	0,05	50	X	○	○
041	1	0,1	100	○	○	○
133	1,6	0,16	160	○	○	○
042	2	0,2	200	○	○	○
134	2,5	0,25	250	○	○	○
043	3	0,3	300	○	○	○
044	4	0,4	400	○	○	○
045	6	0,6	600	○	○	○
047	10	1	1000	○	○	○
050	15	1,5	-	○	○	○
143	16	1,6	-	○	○	○
051	20	2	-	○	○	○
052	25	2,5	-	○	○	○
054	35	3,5	-	○	○	○
151	40	4	-	○	○	○
055	50	5	-	○	○	○
056	60	6	-	○	○	○
057	70	7	-	○	○	○
058	100	10	-	○	○	○
059	150	15	-	○	○	○
060	160	16	-	○	○	○
062	250	25	-	○	○	○
064	350	35	-	○	○	○
065	400	40	-	○	○	○
066	500	50	-	○	○	○
067	600	60	-	○	○	○
068	700	70	-	○	○	○
070	1000	100	-	○	○	○
074	1600	160	-	X	○	○
075	2000	200	-	X	○	○
027	-1~1	-0,1~0,1	-100~100	○	○	○
127	-1~1,6	-0,1~0,16	-100~160	○	○	○
028	-1~2	-0,1~0,2	-100~200	○	○	○
129	-1~2,5	-0,1~0,25	-100~250	○	○	○
029	-1~3	-0,1~0,3	-100~300	○	○	○
030	-1~4	-0,1~0,4	-100~400	○	○	○
010	-1~5	-0,1~0,5	-100~500	○	○	○
031	-1~6	-0,1~0,6	-100~600	○	○	○
014	-1~9	-0,1~0,9	-100~900	○	○	○
032	-1~10	-0,1~1	-100~1000	○	○	○
033	-1~15	-0,1~1,5	-100~1,5Mpa	○	○	○
034	-1~20	-0,1~2	-100~2Mpa	○	○	○
035	-1~25	-0,1~2,5	-100~2,5Mpa	○	○	○

○ : AVAILABLE × : NOT AVAILABLE