

EURO GAUGE® PROCESS INDUSTRY PRESSURE GAUGE MODEL : P253 SERIES

WISE®

SERVICE INTENDED

The P253 Series are suitable for corrosive environment. Typical Application include : chemical, petrochemical, refining, power, marine or food industry. Its stainless steel case and cover have good appearance and excellent proof to corrosive & chemical attack.

NOMINAL DIAMETER

63, 100 and 160mm

ACCURACY

Model : P2532(63mm) : $\pm 1.6\%$ of Full Scale

Model : P2534(100mm) & P2536(160mm)

: $\pm 1.0\%$ of Full Scale

SCALE RANGE (MPa, kPa, bar)

63mm : -0.1 ~ 0 to 0 ~ 35MPa

100 and 160mm : -0.1 ~ 0 to 0 ~ 100MPa

WORKING PRESSURE

Steady : 75% of Full Scale

Over Range Protection : 130% of Full Scale

WORKING TEMPERATURE

Ambient : -20 ~ 65°C

Fluid : +60°C maximum

DEGREE OF PROTECTION

IP65



Standard Features

PRESSURE CONNECTION

Cu Alloy 2.0460

Threaded entry, Radial or back.

CASE & BEZEL RING

Stainless Steel(304SS)

Bayonet Type

DIAL

White Aluminium with Black Graduations

ELEMENT

Cu Alloy 2.0460

Model : P2534(100mm) & P2536(160mm)

< 10MPa : C Type Bourdon Tube

\geq 10MPa : Helical Type Bourdon Tube
with 316SS

Model : P2532(63mm)

< 6MPa : C Type Bourdon Tube

\geq 6MPa : Helical Type Bourdon Tube

WINDOW

63mm : Glass

100 and 160mm : Safety Glass

MOVEMENT

63mm : Cu Alloy 2.0360

100 and 160mm :

Stainless Steel(304SS)

POINTER

Aluminium alloy, Black painted

PROCESS CONNECTION

63mm : 1/4" PT, NPT & PF

100 & 160mm : 1/4", 3/8", 1/2" PT, NPT & PF

BLOWOUT PROTECTION

Back, Rubber Disc for 100 and 160mm

Top, Rubber Disc for 63mm

OPTIONS

Electropolished Bezel Ring

Zero Adjustable Pointer

(Only available with diameter 100 and 160mm)

ORDERING INFORMATION

BASE MODEL

P253 : PROCESS INDUSTRY PRESSURE GAUGE

NOMINAL DIAMETER

- 2 : 63mm
- 4 : 100mm
- 6 : 160mm

MOUNTING TYPE (Refer to Mounting type & Dimension)

- A : Bottom Connection, Direct
- B : Bottom Connection, Surface, Case Mounting Plate
- F : Center back Connection, Direct, Only available with diameter 63mm
- G : Lower back Connection, Direct, Only available with diameter 100mm
- H : Center back Connection, Flush, Case Center Mounting Plate, Only available with diameter 63mm
- I : Center back Connection, Flush, Case Center Mounting Plate with Bracket, Only available with diameter 63mm
- J : Center back Connection, Flush, Cover Mounting Plate, Only available with diameter 63mm
- L : Lower back Connection, Flush, Case Center Mounting Plate, Only available with diameter 100mm
- M : Lower back Connection, Flush, Case Center Mounting Bracket, Only available with diameter 100mm
- N : Lower back Connection, Flush, Cover Mounting Plate, Only available with diameter 100mm
- V : Center back Connection, Flush, Cover Mounting Bracket, Only available with diameter 63mm
- W : Lower back Connection, Flush, Cover Mounting Bracket, Only available with diameter 100mm

ACCURACY

- 3 : ±1.0% of Full Scale, Not available with diameter 63mm
- 4 : ±1.6% of Full Scale, Only available with diameter 63mm

CONNECTION

- C : 1/4"
- D : 3/8", Not available with diameter 63mm
- E : 1/2", Not available with diameter 63mm

CONNECTION TYPE

- B : PF
- C : PT
- D : NPT
- F : BSPT
- G : BSP
- Z : Other

UNIT

Refer to Pressure Unit and Range Table

RANGE

Refer to Pressure Unit and Range Table

DIAL COLOR

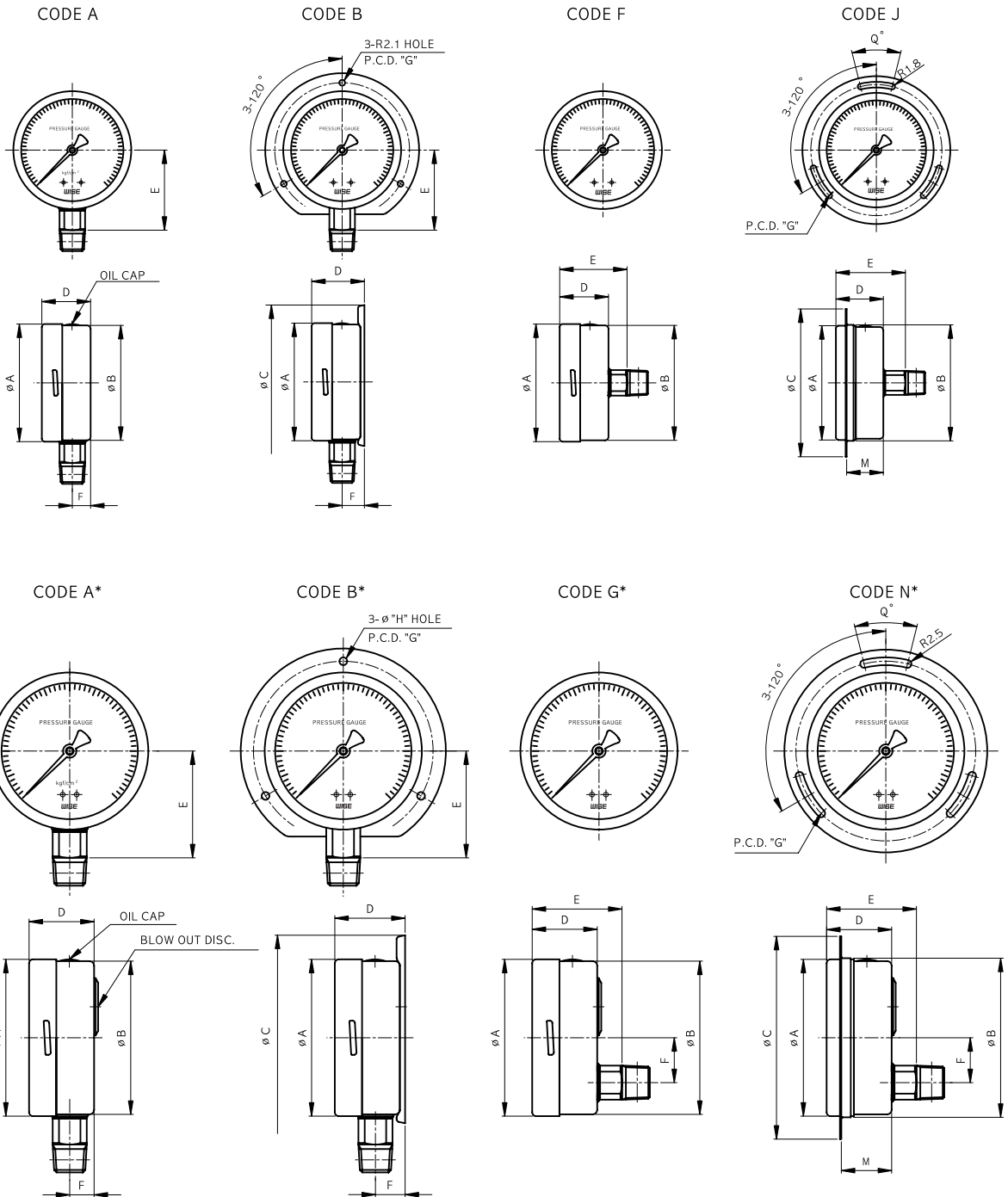
- 1 : 2 Colors
- 5 : 3 Colors

OPTIONS

- 0 : None
- 1 : Accessories

P253	4	A	3	E	D	H	047	1	0	SAMPLE MODEL NUMBER
------	---	---	---	---	---	---	-----	---	---	---------------------

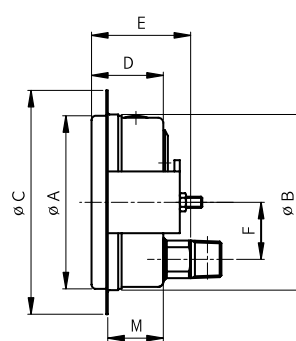
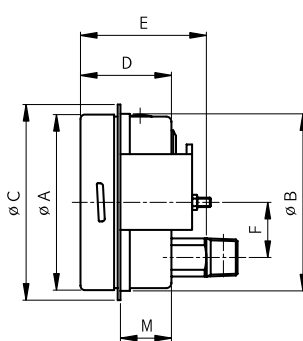
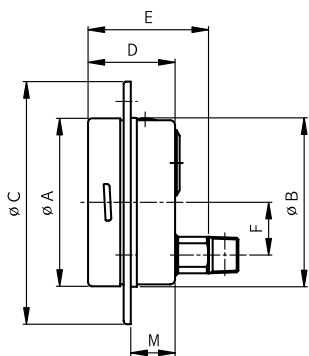
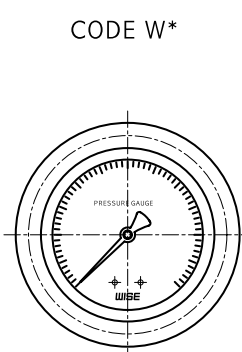
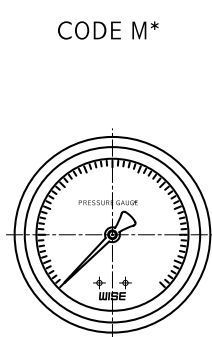
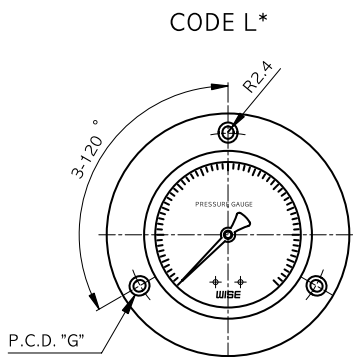
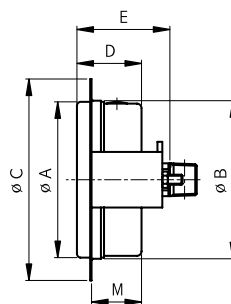
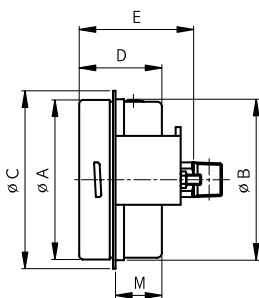
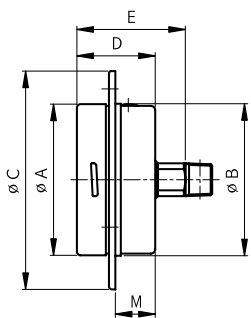
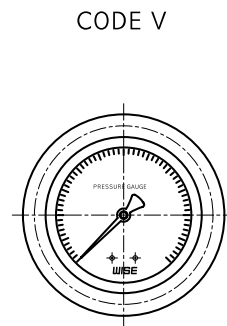
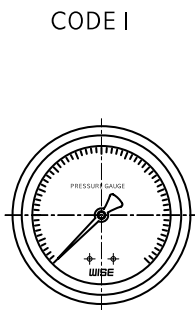
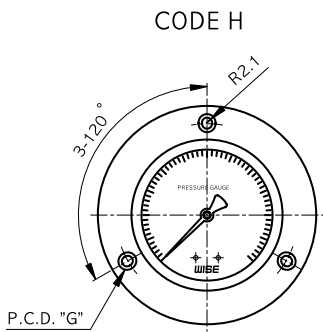
P253 : TYPE OF MOUNTING (1/2)



Dimensions (mm)

DIAL SIZE	AVAILABLE CODE	A	B	C	D	E	F	M	G	H	Q
63	A	63.7	62		34	41.7	11				
	B	63.7		85	37	41.7	15		74~75		
	F	63.7	62		34	45					
	J	63.7	66	86	34	45		28	75		15
100	A*	101.3	99		50	65	16				
	B*	101.3		133	54.4	65	19.4		115~116	R2.5	
	G*	101.3	99		50	65	29				
	N*	101.3	103.1	130.5	50	65	29	45	116		28
160	A*	160.6	159		52.5	94	15.8				
	B*	160.6		196	56	94	19.3		178	5.8	

P253 : TYPE OF MOUNTING (2/2)



Dimensions (mm)

DIAL SIZE	AVAILABLE CODE	A	B	C	D	E	F	M	G
63	H	63.7	64.5	92	34	45			77~78
	I	63.7	63.7	71	34	45		18.5	
	V	63.7	66	86	34	45		28	
100	L*	101.3	100.4	132	50	65	29	27.7	115~116
	M*	101.3	101	107.5	50	65	29	29.5	
	W*	101.3	103.1	130.5	50	65	29	45	

PRESSURE UNIT & RANGE TABLE

RANGE & CODE	UNIT & CODE			NOMINAL DIAMETER		
	H : bar	I : MPa	J : kPa	63mm	100mm	160mm
026	-1	-0,1	-100	○	○	○
040	0,5	0,05	50	X	○	○
041	1	0,1	100	○	○	○
133	1,6	0,16	160	○	○	○
042	2	0,2	200	○	○	○
134	2,5	0,25	250	○	○	○
043	3	0,3	300	○	○	○
044	4	0,4	400	○	○	○
045	6	0,6	600	○	○	○
047	10	1	1000	○	○	○
050	15	1,5	-	○	○	○
143	16	1,6	-	○	○	○
051	20	2	-	○	○	○
052	25	2,5	-	○	○	○
054	35	3,5	-	○	○	○
151	40	4	-	○	○	○
055	50	5	-	○	○	○
056	60	6	-	○	○	○
057	70	7	-	○	○	○
058	100	10	-	○	○	○
059	150	15	-	○	○	○
060	160	16	-	○	○	○
062	250	25	-	○	○	○
064	350	35	-	○	○	○
065	400	40	-	○	○	○
066	500	50	-	X	○	○
067	600	60	-	X	○	○
068	700	70	-	X	○	○
070	1000	100	-	X	○	○
027	+1	+0,1	+100	○	○	○
127	-1~1,6	-0,1~0,16	-100~160	○	○	○
028	-1~2	-0,1~0,2	-100~200	○	○	○
129	-1~2,5	-0,1~0,25	-100~250	○	○	○
029	-1~3	-0,1~0,3	-100~300	○	○	○
030	-1~4	-0,1~0,4	-100~400	○	○	○
010	-1~5	-0,1~0,5	-100~500	○	○	○
031	-1~6	-0,1~0,6	-100~600	○	○	○
014	-1~9	-0,1~0,9	-100~900	○	○	○
032	-1~10	-0,1~1	-100~1000	○	○	○
033	-1~15	-0,1~1,5	-100~1,5Mpa	○	○	○
034	-1~20	-0,1~2	-100~2Mpa	○	○	○
035	-1~25	-0,1~2,5	-100~2,5Mpa	○	○	○

○ : AVAILABLE × : NOT AVAILABLE

CONVERSION TABLE

PRESSURE CONVERSION CHART								
PSI	ATM	kg/cm ²	in.H ₂ O	mmHg	in.Hg	kPa	Bar	mmH ₂ O
1	0.068046	0.070307	27.7276	51.715	2.03602	6.895	0.06895	704.28104
14.696	1	1.0332	407.484	760	29.921	101.325	1.01325	10350.0936
14.2233	0.96784	1	394.38	735.559	28.959	98.096	0.98067	10000
0.036092	0.002454	0.00253	1	1.8651	0.07343	0.249	0.00249	25.4
0.019336	0.001315	0.001359	0.53616	1	0.03937	0.1333	0.001333	13.618464
0.491154	0.0033421	0.03453	13.6185	25.4	1	3.3864	0.033864	345.9099
0.145	0.00987	0.010197	4.0186	7.5006	0.2953	1	0.01	102.07244
14.5038	0.98692	1.01972	402.156	750.062	29.53	100	1	10214.7624
0.00142	0.000097	0.0001	0.03937	0.0734	0.0029	0.0098	0.000098	1

VOLUME CONVERSION CHART							
GALLON (U.S)	CUBIC FEET	CUBIC INCHES	BARRELS (OIL)	CUBIC CM	CUBIC METER	LITER	IMP. GALLON
1	0.1337	231	0.02381	3785	0.003785	3.785	0.8327
7.481	1	1728	0.1781	28320	0.02832	28.32	6.229
0.004329	0.000578	1	0.000103	16.39	0.000016	0.01639	0.003605
42	5.615	9702	1	159000	0.159	158.94	34.97
0.000264	0.000035	0.06102	0.000006	1	0.000001	0.001	0.00022
264.17	35.3144	61023	6.2906	1000000	1	1000	220.1
0.264	0.0353	61.03	0.0629	1000	0.001	1	0.22
1.201	0.1606	277.4	0.0286	4546	0.004546	4.546	1

MASS CONVERSION CHART							
lb.	oz.	kg	gm	gal H ₂ O (32F)	long ton	metric tonne	ton
1	16	0.4536	453.6	0.1198	0.000446	0.000453	0.0005
0.0625	1	0.02835	28.35	0.00749	0.000027	0.000028	0.000031
2.205	35.27	1	1000	0.2642	0.009839	0.001	0.001102
0.002205	0.03527	0.001	1	0.000264	0.000000	0.000001	0.000001
8.345	133.5	3.785	3785	1	0.003726	0.003786	0.004171
2240	35840	1016.4	1016363	268.352	1	1.016	1.12
2204.6	35273	1000	1000000	264.11	0.9842	1	1.1023
2000	32000	907.03	909090.9	239.7	0.892857	0.907194	1

DENSITY CONVERSION CHART			
lb/ft ³	gm/cm ³	kg/m ³	lb/in ³
1	0.016018	16.0184	0.000578
62.43	1	1000	0.03613
0.06243	0.001	1	0.000036
1728	27.68	27679.8	1