

EURO GAUGE® INDUSTRIAL SERVICE PRESSURE GAUGE MODEL : P252 SERIES

WISE®

SERVICE INTENDED

The P252 Series are suitable for corrosive environment.
Typical Application include : chemical, petrochemical, refining, power, marine or food industry. Its stainless steel case and cover have good appearance and excellent proof to corrosive & chemical attack.

NOMINAL DIAMETER

63, 80, 100 and 160mm

ACCURACY

Model : P2522(63mm) & P2523(80mm) : $\pm 1.6\%$ of Full Scale
Model : P2524(100mm) & P2526(160mm) : $\pm 1.0\%$ of Full Scale

SCALE RANGE (MPa, kPa, bar)

63 and 80mm : 0.1 ~ 0 to 0 ~ 100 MPa
100 and 160mm : 0.1 ~ 0 to 0 ~ 200 MPa

WORKING PRESSURE

Steady : 75% of Full Scale
Over Range Protection : 130% of Full Scale

WORKING TEMPERATURE

Ambient : -40 ~ 65°C
Fluid : +200°C maximum

DEGREE OF PROTECTION

IP65



Standard Features

PRESSURE CONNECTION

Stainless Steel (316SS), OPTION-Monel
Threaded entry, radial or back.

CASE & BEZEL RING

Stainless Steel (304SS)
Bayonet Type

DIAL

White Aluminum with Black Graduations

ELEMENT

Stainless Steel (316SS), OPTION-Monel
Model : P2524(100mm) & P2526(160mm)
< 10 MPa : C Type Bourdon Tube
 ≥ 10 MPa : Helical Type Bourdon Tube
Model : P2522(63mm) & P2523(80mm)
< 6 MPa : C Type Bourdon Tube
 ≥ 6 MPa : Helical Type Bourdon Tube

WINDOW

63 and 80mm- Glass
100 and 160mm - Safety Glass

POINTER

Aluminium alloy, Black painted.

MOVEMENT

Stainless Steel

PROCESS CONNECTION

63mm : 1/8", 1/4" PT, NPT & PF
80mm : 1/4", 3/8" PT, NPT & PF
100 and 160mm : 1/4", 3/8", 1/2" PT, NPT & PF

BLOWOUT PROTECTION

Back, Rubber Disc for 80, 100 and 160mm
Top, Rubber Disc for 63mm

OPTIONS

Electropolished Bezel Ring
Zero adjustable pointer
(Only available with diameter 100 and 160mm)

ORDERING INFORMATION

BASE MODEL

P252 : INDUSTRIAL SERVICE PRESSURE GAUGE

NOMINAL DIAMETER

- 2 : 63mm
- 3 : 80mm
- 4 : 100mm
- 6 : 160mm

MOUNTING TYPE (Refer to Mounting type & Dimension)

- A : Bottom Connection, Direct
- B : Bottom Connection, Surface, Case Mounting Plate
- F : Center back Connection, Direct, Only available with diameter 63mm
- G : Lower back Connection, Direct
- H : Center back Connection, Flush, Case Center Mounting Plate, Only available with diameter 63mm
- I : Center back Connection, Flush, Case Center Mounting Plate with Bracket
Only available with diameter 63mm
- J : Center back Connection, Flush, Cover Mounting Plate, Only available with diameter 63mm
- L : Lower back Connection, Flush, Case Center Mounting Plate
- M : Lower back Connection, Flush, Case Center Mounting Bracket
- N : Lower back Connection, Flush, Cover Mounting Plate
- V : Center back Connection, Flush, Cover Mounting Bracket, Only available with diameter 63mm
- W : Lower back Connection, Flush, Cover Mounting Bracket

ACCURACY

- 3 : ±1.0% of Full Scale, Not available with diameter 63 & 80mm
- 4 : ±1.6% of Full Scale, Only available with diameter 63 & 80mm

CONNECTION

- B : 1/8", Only available with diameter 63mm
- C : 1/4"
- D : 3/8", Not available with diameter 63mm
- E : 1/2", Not available with diameter 63 & 80mm

CONNECTION TYPE

- B : PF
- C : PT
- D : NPT
- F : BSPT
- G : BSP
- Z : Other

UNIT

Refer to Pressure Unit & Range Table

RANGE

Refer to Pressure Unit & Range Table

**PRESSURE CONNECTION
MAT'L & DIALS**

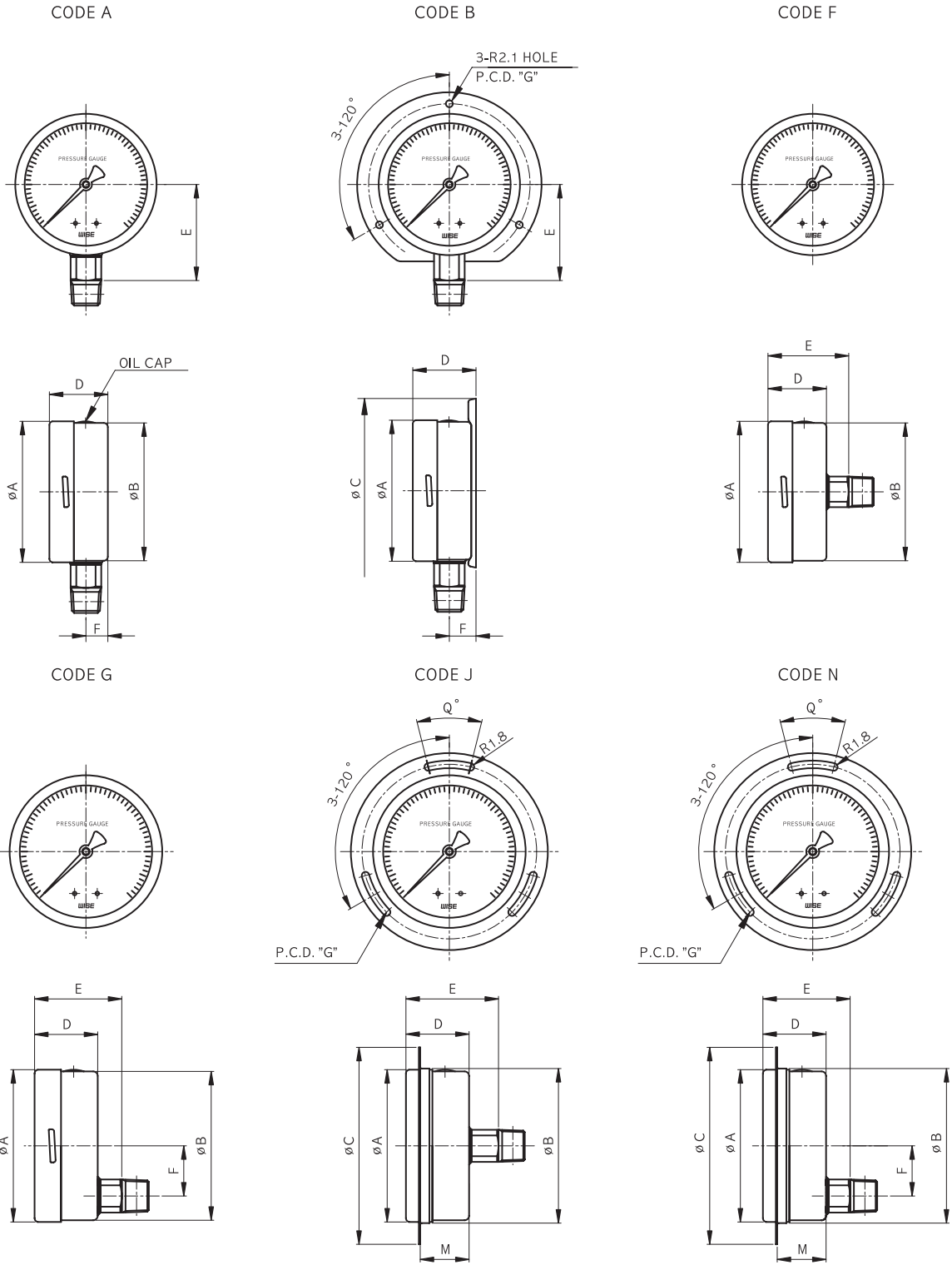
- 3 : 316SS & 2 Colors
- 7 : 316SS & 3 Colors,
Available with Compound and
Vacuum Gauges
- Z : MONEL

OPTIONS

- 0 : None
- 1 : Accessories

P252	4	A	3	E	D	H	047	3	0	SAMPLE MODEL NUMBER
-------------	----------	----------	----------	----------	----------	----------	------------	----------	----------	------------------------------------

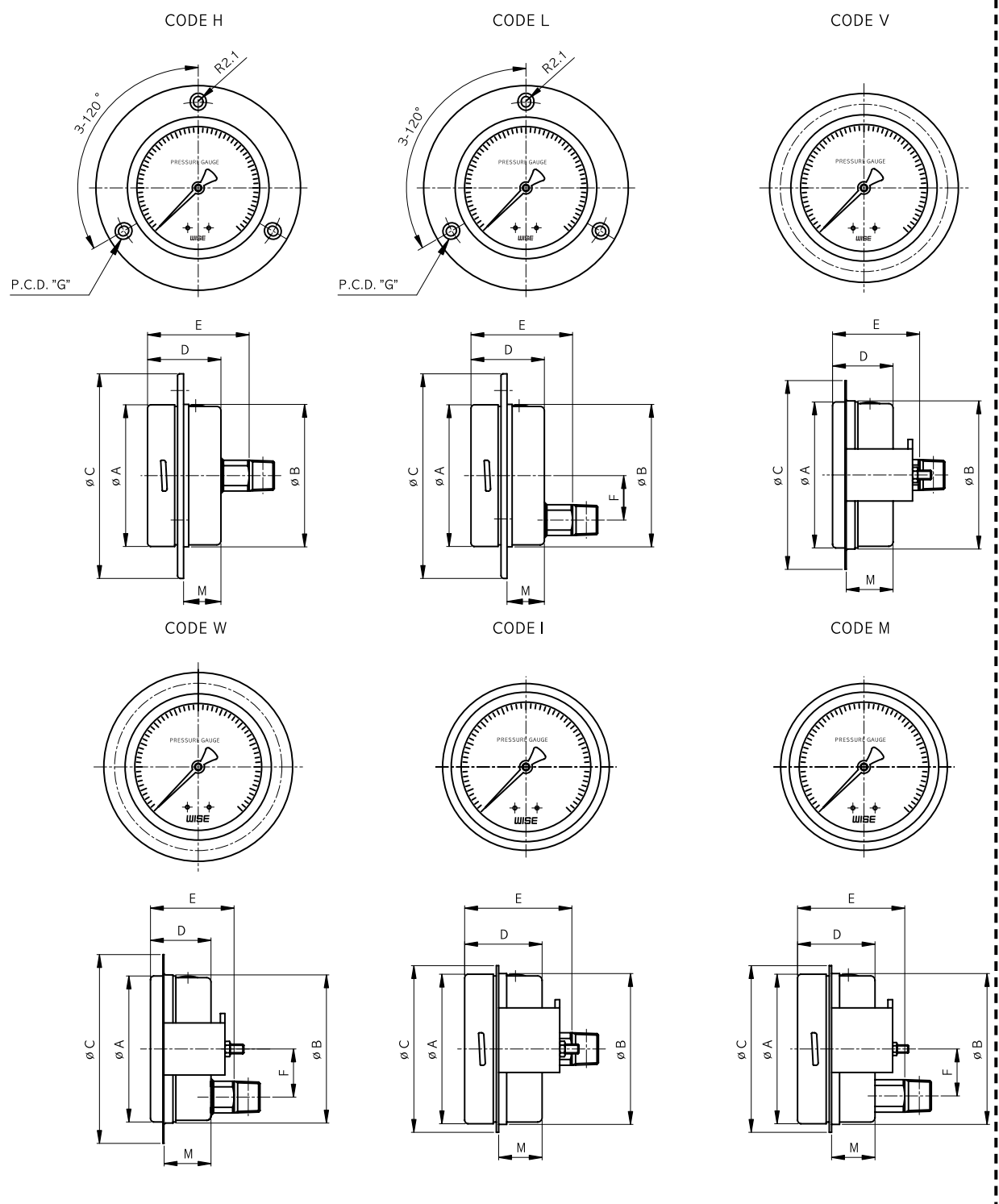
P252 : TYPE OF MOUNTING (1/3)



Dimensions (mm)

DIAL SIZE	AVAILABLE CODE	A	B	C	D	E	F	M	G	H	Q
63	A	63.7	62		34	41.7	11				
	B	63.7		85	37	41.7	15		74~75		
	F	63.7	62		34	45					
	G	63.7	62		34	45	13				
	J	63.7	66	86	34	45		28	75		15
	N	63.7	66	86	34	45	13	28	75		15

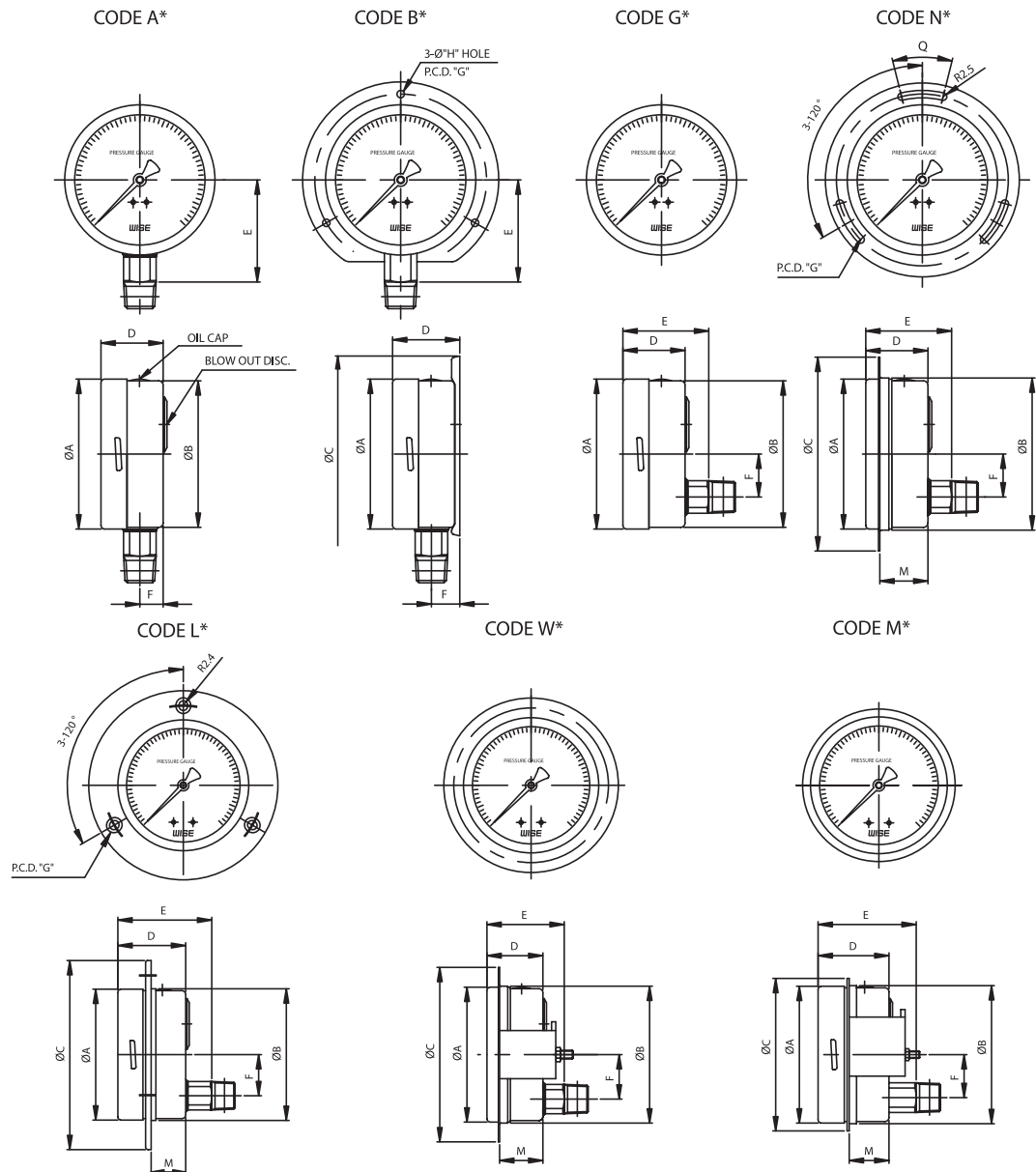
P252 : TYPE OF MOUNTING (2/3)



Dimensions (mm)

DIAL SIZE	AVAILABLE CODE	A	B	C	D	E	F	M	G
63	H	63.7	64.5	92	34	45		16.8	77~78
	L	63.7	64.5	92	34	45	13	16.8	77~78
	V	63.7	66	86	34	45		28	
	W	63.7	66	86	34	45	13	28	
	I	63.7	64.5	71	34	45		18.5	
	M	63.7	64.5	71	34	45	13	18.5	

P252 : TYPE OF MOUNTING (3/3)



Dimensions (mm)

DIAL SIZE	AVAILABLE CODE	A	B	C	D	E	F	M	G	H	Q
80	A*	81.2	78.5		39.5	50.5	12				
	B*	81.2		108	43	50.5	15.5		95	5	
	G*	81.2	78.5		39.5	53.5	22				
	N*	81.2	83.2	108	39.5	53.5	22	35	95		10
	L*	81.2	80.8	112	39.5	53.5	22	21.8	94.5-95.5		
	W*	81.2	83.2	108	39.5	53.5	22	35			
100	M*	81.2	81.5	88	39.5	53.5	22	22.5			
	A*	101.3	99		50	65	16				
	B*	101.3		133	54.4	65	19.4		116	R2.5	
	G*	101.3	99		50	65	29				
	N*	101.3	103.1	131	50	65	29	45	116		28
	L*	101.3	100.4	132	50	65	29	27.7	115-116		
160	W*	101.3	103.1	131	50	65	29	45			
	M*	101.3	101	107.5	50	65	29	29.5			
	A*	160.6	159		52.5	94	15.8				
	B*	160.6		196	56	94	19.3		178	5.8	
	G*	160.6	159		52.5	67.5	29				
	N*	160.6	164	192	52.5	67.5	29	47.5	178		28
160	L*	160.6	162	192	52.5	67.5	29	28	175.5-176.5		
	W*	160.6	164	172	52.5	67.5	29	47.5			
	M*	160.6	162	172	52.5	67.5	29	30.8			

PRESSURE UNIT & RANGE TABLE

RANGE & CODE	UNIT & CODE			NOMINAL DIAMETER			
	H : bar	I : MPa	J : kPa	63mm	80mm	100mm	160mm
026	-1	-0,1	-100	○	○	○	○
040	0,5	0,05	50	○	○	○	○
041	1	0,1	100	○	○	○	○
133	1,6	0,16	160	○	○	○	○
042	2	0,2	200	○	○	○	○
134	2,5	0,25	250	○	○	○	○
043	3	0,3	300	○	○	○	○
044	4	0,4	400	○	○	○	○
045	6	0,6	600	○	○	○	○
047	10	1	1000	○	○	○	○
050	15	1,5	-	○	○	○	○
143	16	1,6	-	○	○	○	○
051	20	2	-	○	○	○	○
052	25	2,5	-	○	○	○	○
054	35	3,5	-	○	○	○	○
151	40	4	-	○	○	○	○
055	50	5	-	○	○	○	○
056	60	6	-	○	○	○	○
057	70	7	-	○	○	○	○
058	100	10	-	○	○	○	○
059	150	15	-	○	○	○	○
060	160	16	-	○	○	○	○
062	250	25	-	○	○	○	○
064	350	35	-	○	○	○	○
065	400	40	-	○	○	○	○
066	500	50	-	○	○	○	○
067	600	60	-	○	○	○	○
068	700	70	-	○	○	○	○
070	1000	100	-	○	○	○	○
074	1600	160	-	X	X	○	○
075	2000	200	-	X	X	○	○
027	+1	+0,1	+100	○	○	○	○
127	-1~1,6	-0,1~0,16	-100~160	○	○	○	○
028	-1~2	-0,1~0,2	-100~200	○	○	○	○
129	-1~2,5	-0,1~0,25	-100~250	○	○	○	○
029	-1~3	-0,1~0,3	-100~300	○	○	○	○
030	-1~4	-0,1~0,4	-100~400	○	○	○	○
010	-1~5	-0,1~0,5	-100~500	○	○	○	○
031	-1~6	-0,1~0,6	-100~600	○	○	○	○
014	-1~9	-0,1~0,9	-100~900	○	○	○	○
032	-1~10	-0,1~1	-100~1000	○	○	○	○
033	-1~15	-0,1~1,5	-100~1,5Mpa	○	○	○	○
034	-1~20	-0,1~2	-100~2Mpa	○	○	○	○
035	-1~25	-0,1~2,5	-100~2,5Mpa	○	○	○	○

○ : AVAILABLE × : NOT AVAILABLE