

TEST PRESSURE GAUGE
STAINLESS STEEL CASE, MODEL : P229 SERIES
ALUMINIUM CASE, MODEL : P335 SERIES

WISE[®]

SERVICE INTENDED

The P229 and P335 series are designed for use in instrument shops, laboratories and other critical applications where a high degree of accuracy is required and operator error must be minimized.

NOMINAL DIAMETER

150mm & 160mm

ACCURACY

±0.5% of Full Scale

SCALE RANGE (MPa, kPa, bar)

-0.1~0 and 0~0.1 to 0~200 MPa

WORKING PRESSURE

Steady : 75% of Full Scale

Over Range Protection : 130% of Full Scale

WORKING TEMPERATURE

Ambient : -20 ~ 65°C

Fluid : -20 ~ 80°C



Standard Features

PRESSURE CONNECTION

Stainless Steel (316SS)

ELEMENT

Stainless Steel (316SS)

CASE

Stainless Steel (304SS) or Black Finished Aluminium

<10 MPa: C Type Bourdon Tube

≥10 MPa: Helical Type Bourdon Tube

COVER

Stainless Steel (304SS) or Black Finished Aluminium

WINDOW

Glass

MOVEMENT

Stainless Steel

DIAL

White Aluminium with

Black Graduations

POINTER

Aluminium alloy, Black painted

PROCESS CONNECTION

3/8", 1/2" PT, NPT & PF

ORDERING INFORMATION

BASE MODEL

P229 : TEST PRESSURE GAUGE, STAINLESS STEEL CASE

P335 : TEST PRESSURE GAUGE, ALUMINIUM CASE

NOMINAL DIAMETER

6 : 150mm for P335 and 160mm for P229

MOUNTING TYPE (Refer to Mounting type & Dimension)

- A : Bottom Connection, Direct
- B : Bottom Connection, Surface, Case Mounting Plate
- G : Lower Back Connection, Direct, Not available with P335
- L : Lower Back Connection, Flush, Case Center Mounting Plate, Not available with P335
- M : Lower Back Connection, Flush, Case Center Mounting Bracket

ACCURACY

2 : ±0.5% of Full Scale

CONNECTION

- C : 1/4"
- D : 3/8"
- E : 1/2"

CONNECTION TYPE

- B : PF
- C : PT
- D : NPT

UNIT

Refer to Pressure Unit & Range Table

RANGE

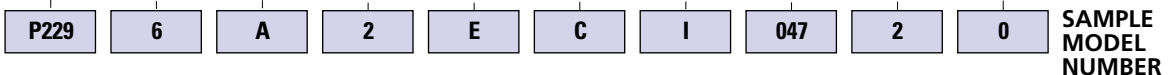
Refer to Pressure Unit & Range Table

PRESSURE CONNECTION MAT'L & DIALS

- 3 : 316SS & 2 Colors
- Z : 316SS & 3 Colors, Available with Compound and Vacuum Gauges

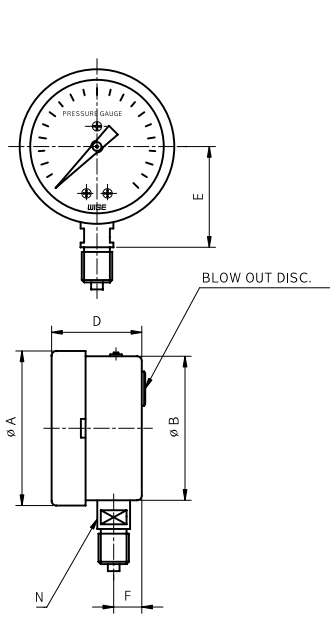
OPTIONS

- 0 : None
- 1 : Accessories

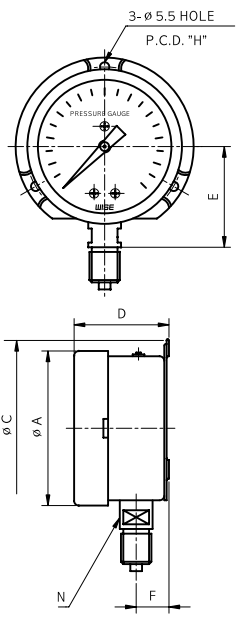


P229, 335 : TYPE OF MOUNTING

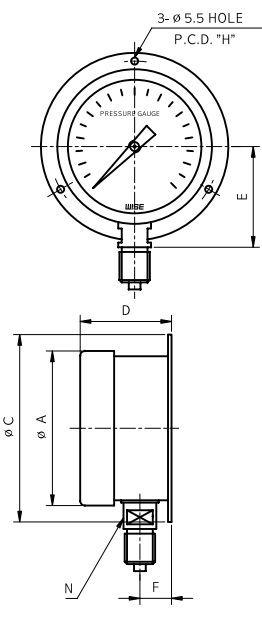
CODE A



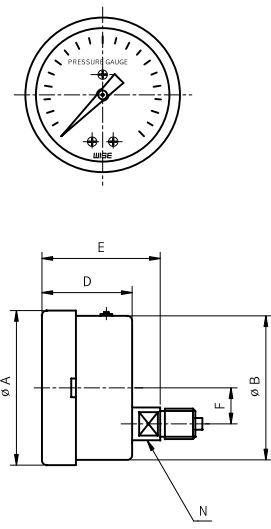
CODE B



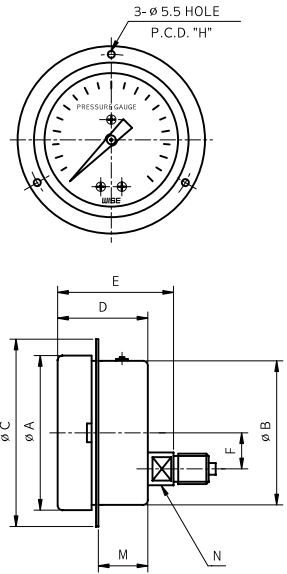
CODE B*



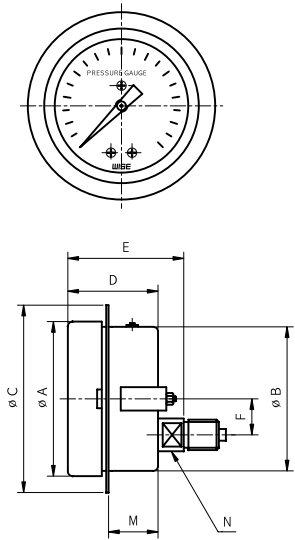
CODE G



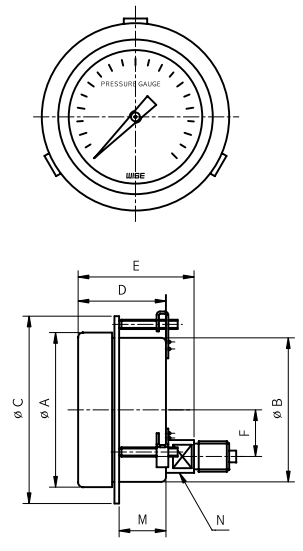
CODE L



CODE M



CODE M*



Dimensions (mm)

DIAL SIZE	AVAILABLE CODE	A	B	C	D	E	F	H	M	N	
150	P229	A	160.6	159		52.5	94	15.8		17	
		B	160.6		196	56	94	19.3	178		17
		G	160.6	159		52.5	67.5	48			17
		L	160.6	162	192	52.5	67.5	48	175.5-176.5	28	17
	M	160.6	161.5	172	52.5	67.5	48		30.8	17	
	P335	A	172	159		62	101.5	21			17
		B*	172		184	62	101.5	21	172		17
M*		172	159	184	62	77.5	55		35	17	

PRESSURE UNIT & RANGE TABLE

RANGE & CODE	UNIT & CODE			MODEL NO.	
	H : bar	I : MPa	J : kPa	P335	P229
026	-1	-0,1	-100	○	○
041	1	0,1	100	○	○
133	1,6	0,16	160	○	○
042	2	0,2	200	○	○
134	2,5	0,25	250	○	○
043	3	0,3	300	○	○
044	4	0,4	400	○	○
045	6	0,6	600	○	○
047	10	1	1000	○	○
050	15	1,5	-	○	○
143	16	1,6	-	○	○
051	20	2	-	○	○
052	25	2,5	-	○	○
054	35	3,5	-	○	○
151	40	4	-	○	○
055	50	5	-	○	○
056	60	6	-	○	○
057	70	7	-	○	○
058	100	10	-	○	○
059	150	15	-	○	○
060	160	16	-	○	○
062	250	25	-	○	○
064	350	35	-	○	○
065	400	40	-	○	○
066	500	50	-	○	○
067	600	60	-	X	○
068	700	70	-	X	○
070	1000	100	-	X	○
074	1600	160	-	X	○
075	2000	200	-	X	○
027	+1	+0,1	+100		○
127	-1~1,6	-0,1~0,16	-100~160		○
028	-1~2	-0,1~0,2	-100~200		○
129	-1~2,5	-0,1~0,25	-100~250		○
029	-1~3	-0,1~0,3	-100~300		○
030	-1~4	-0,1~0,4	-100~400		○
010	-1~5	-0,1~0,5	-100~500		○
031	-1~6	-0,1~0,6	-100~600		○
014	-1~9	-0,1~0,9	-100~900		○
032	-1~10	-0,1~1	-100~1000		○
033	-1~15	-0,1~1,5	-100~1,5Mpa		○
034	-1~20	-0,1~2	-100~2Mpa		○
035	-1~25	-0,1~2,5	-100~2,5Mpa		○

○ : AVAILABLE × : NOT AVAILABLE