

INDUSTRIAL SERVICE PRESSURE GAUGE MODEL : P222 SERIES

WISE[®]

SERVICE INTENDED

The P222 Series are suitable for corrosive environment and chemical, petro-chemical, refining, power, marine & foods. Its stainless steel case and cover have good appearance and excellent proof to corrosion & chemical attack.

NOMINAL DIAMETER

4+1/2 inch

ACCURACY

±1.0% of Full Scale

SCALE RANGE (MPa, kPa, bar)

-0.1~0 to 0~200 MPa

WORKING PRESSURE

Steady : 75% Full Scale

Over Range Protection : 130% of Full Scale

WORKING TEMPERATURE

Ambient : -40 ~ 65°C

Fluid : +200°C maximum (without liquid filling)

-20 ~ 80°C (with liquid filling)

DEGREE OF PROTECTION

IP65



Standard Features

PRESSURE CONNECTION

Stainless Steel (316SS)

Threaded entry, radial or back.

ELEMENT 316SS

< 10 MPa : C Type Bourdon Tube

≥ 10 MPa : Helical Type Bourdon Tube

CASE & BEZEL RING

Stainless Steel (304SS)

Bayonet Type

BLOWOUT PROTECTION

Back, Rubber Disc

WINDOW

Safety glass

MOVEMENT

Stainless Steel

DIAL

White Aluminium with Black Graduations

POINTER

Aluminium alloy, Black painted

Zero adjustable pointer

PROCESS CONNECTION

3/8", 1/2" PT, NPT & PF

ORDERING INFORMATION

BASE MODEL

P222 : INDUSTRIAL SERVICE PRESSURE GAUGE

NOMINAL DIAMETER

5 : 4+1/2 inch

MOUNTING TYPE(Refer to Mounting Type & Dimension)

A : Bottom Connection, Direct

ACCURACY

3 : ±1.0% of Full Scale

CONNECTION

D : 3/8"
E : 1/2"

CONNECTION TYPE

B : PF
C : PT
D : NPT
F : BSPT
G : BSP
Z : Other

UNIT

I : MPa
J : kPa
H : bar

RANGE

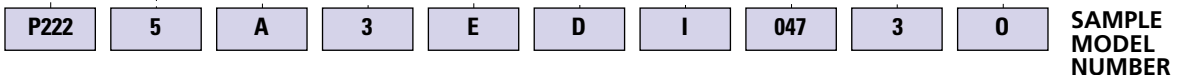
Refer to Pressure Unit & Range Table

DIAL COLOR

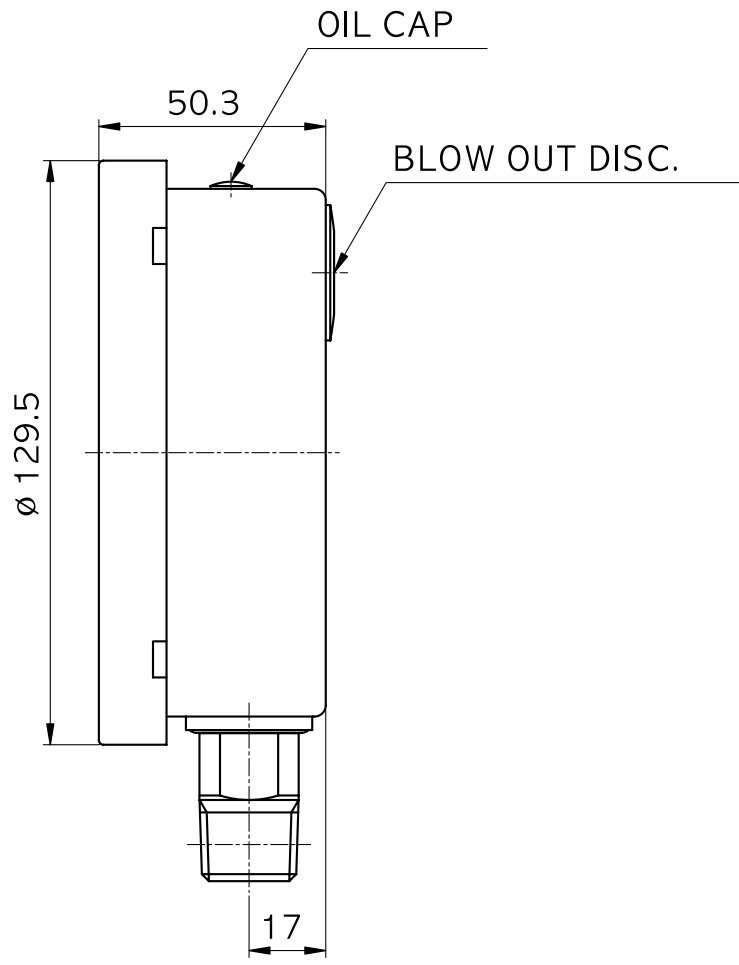
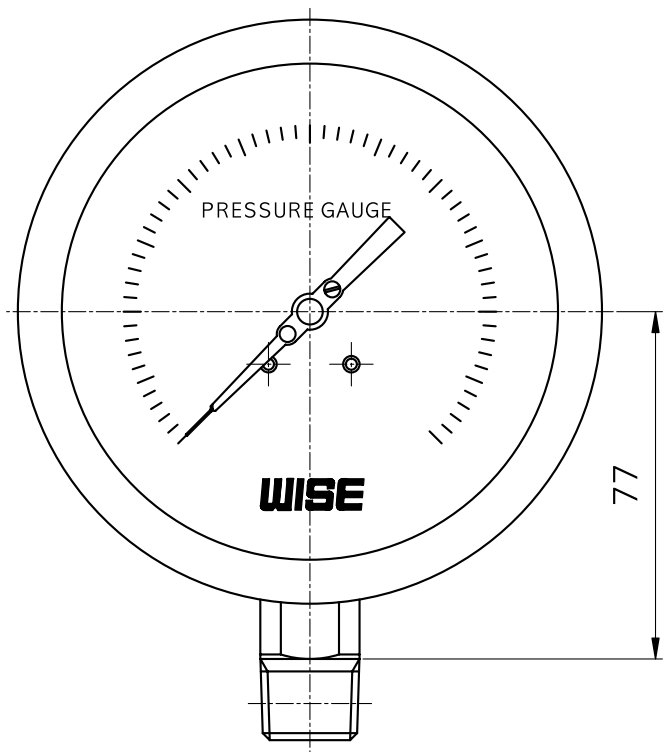
3 : 2 Colors
7 : 3 Colors

OPTIONS

0 : None
1 : Accessories
2 : Liquid Filling



P222: TYPE OF MOUNTING



PRESSURE UNIT & RANGE TABLE

RANGE & CODE	UNIT & CODE			NOMINAL DIAMETER
	H : bar	I : MPa	J : kPa	4+1/2 inch
026	-1	-0,1	-100	○
040	0,5	0,05	50	○
041	1	0,1	100	○
133	1,6	0,16	160	○
042	2	0,2	200	○
134	2,5	0,25	250	○
043	3	0,3	300	○
044	4	0,4	400	○
045	6	0,6	600	○
047	10	1	1000	○
050	15	1,5	-	○
143	16	1,6	-	○
051	20	2	-	○
052	25	2,5	-	○
054	35	3,5	-	○
151	40	4	-	○
055	50	5	-	○
056	60	6	-	○
057	70	7	-	○
058	100	10	-	○
059	150	15	-	○
060	160	16	-	○
062	250	25	-	○
064	350	35	-	○
065	400	40	-	○
066	500	50	-	○
067	600	60	-	○
068	700	70	-	○
070	1000	100	-	○
074	1600	160	-	○
075	2000	200	-	○
027	+1	+0,1	+100	○
127	-1~1,6	-0,1~0,16	-100~160	○
028	-1~2	-0,1~0,2	-100~200	○
129	-1~2,5	-0,1~0,25	-100~250	○
029	-1~3	-0,1~0,3	-100~300	○
030	-1~4	-0,1~0,4	-100~400	○
010	-1~5	-0,1~0,5	-100~500	○
031	-1~6	-0,1~0,6	-100~600	○
014	-1~9	-0,1~0,9	-100~900	○
032	-1~10	-0,1~1	-100~1000	○
033	-1~15	-0,1~1,5	-100~1,5Mpa	○
034	-1~20	-0,1~2	-100~2Mpa	○
035	-1~25	-0,1~2,5	-100~2,5Mpa	○

○ : AVAILABLE × : NOT AVAILABLE