

FREON GAS SERVICE PRESSURE GAUGE MODEL : P112 SERIES

WISE®

SERVICE INTENDED

P112 Series are designed for withstanding shock, vibration and pulsation for freon gas service.

NOMINAL DIAMETER

60 and 75mm

ACCURACY

±1.5% of Full Scale

SCALE RANGE (MPa, kPa, bar)

60mm : -0.1 ~ 0.2, 0.4, 1.0, 1.5, 2.0MPa

0 ~ 2.5, 0 ~ 3.5MPa

75mm : -0.1 ~ 0.2, 0.4, 1.5MPa

0 ~ 3.5MPa

WORKING PRESSURE

Steady : 75% of Full Scale

Over Range Protection : 130% of Full Scale

WORKING TEMPERATURE

Ambient : -20 ~ 65°C

Fluid : -5 ~ 40°C



Standard Features

PRESSURE CONNECTION

Brass

ELEMENT

Brass

C Type Bourdon Tube

CASE

Black Finished Steel

WINDOW

Polycarbonate

MOVEMENT

Brass

DIAL

White Aluminium with
Black Graduations

POINTER

Aluminium alloy, Black painted

PROCESS CONNECTION

7/16"

CONNECTION TYPE

UNF

ORDERING INFORMATION

BASE MODEL

P112 : FREON GAS SERVICE PRESSURE GAUGE

NOMINAL DIAMETER

- 2 : 60mm
- 3 : 75mm

MOUNTING TYPE (Refer to Mounting type & Dimension)

- B : Bottom Connection, Surface, Case Mounting Plate, Only available with diameter 60mm
- H : Center Back Connection, Flush, Case Center Mounting Plate

ACCURACY

- 4 : ±1.5% of Full Scale

CONNECTION

- P : 7/16"

CONNECTION TYPE

- E : UNF

UNIT

- I : MPa

RANGE

- 028 : -0.1~0.2Mpa
- 030 : -0.1~0.4Mpa
- 032 : -0.1~1Mpa
/Not available with diameter 75mm
- 033 : -0.1~1.5Mpa
- 034 : -0.1~2Mpa
/Not available with diameter 75mm
- 052 : 0~2.5Mpa
/Not available with diameter 75mm
- 054 : 0~3.5Mpa

DIAL COLOR

- 1 : 2 Colors
- 5 : 3 Colors,
Available with compound gauges

OPTIONS

- 0 : None
- 1 : Accessories

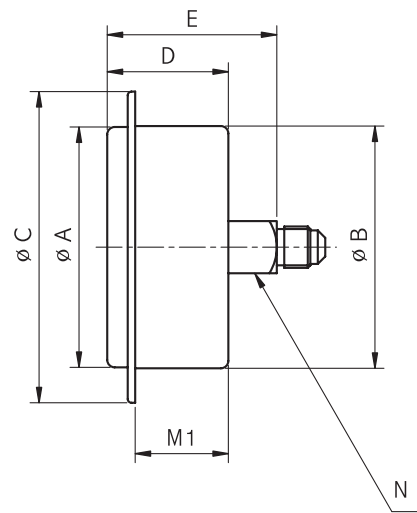
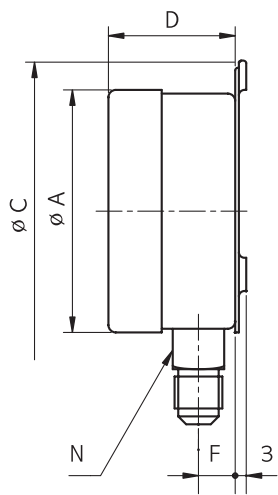
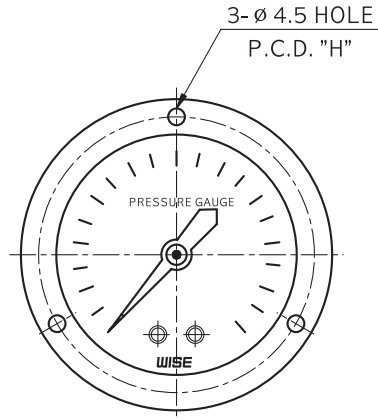
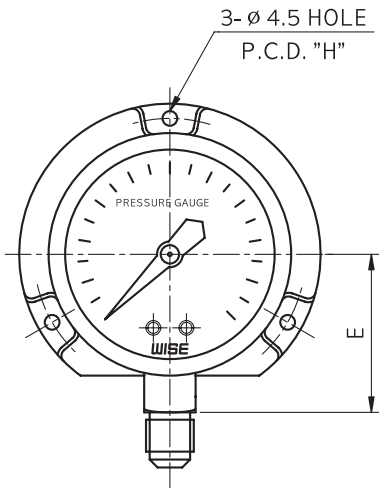


SAMPLE MODEL NUMBER

P112 : TYPE OF MOUNTING

CODE B

CODE H



Dimensions (mm)

DIAL SIZE	AVAILABLE CODE	A	B	C	D	E	F	H	M1	N
60	B	66		82	35.5	42	11	74		14
	H	66	64	82	34.5	44.5		74	18	14
75	H	78	77	100	34.7	46.7		90	18.5	17

CONVERSION TABLE

PRESSURE CONVERSION CHART								
PSI	ATM	kg/cm ²	in.H ₂ O	mmHg	in.Hg	kPa	Bar	mmH ₂ O
1	0.068046	0.070307	27.7276	51.715	2.03602	6.895	0.06895	704.28104
14.696	1	1.0332	407.484	760	29.921	101.325	1.01325	10350.0936
14.2233	0.96784	1	394.38	735.559	28.959	98.096	0.98067	10000
0.036092	0.002454	0.00253	1	1.8651	0.07343	0.249	0.00249	25.4
0.019336	0.001315	0.001359	0.53616	1	0.03937	0.1333	0.001333	13.618464
0.491154	0.0033421	0.03453	13.6185	25.4	1	3.3864	0.033864	345.9099
0.145	0.00987	0.010197	4.0186	7.5006	0.2953	1	0.01	102.07244
14.5038	0.98692	1.01972	402.156	750.062	29.53	100	1	10214.7624
0.00142	0.000097	0.0001	0.03937	0.0734	0.0029	0.0098	0.000098	1

VOLUME CONVERSION CHART							
GALLON (U.S)	CUBIC FEET	CUBIC INCHES	BARRELS (OIL)	CUBIC CM	CUBIC METER	LITER	IMP. GALLON
1	0.1337	231	0.02381	3785	0.003785	3.785	0.8327
7.481	1	1728	0.1781	28320	0.02832	28.32	6.229
0.004329	0.000578	1	0.000103	16.39	0.000016	0.01639	0.003605
42	5.615	9702	1	159000	0.159	158.94	34.97
0.000264	0.000035	0.06102	0.000006	1	0.000001	0.001	0.00022
264.17	35.3144	61023	6.2906	1000000	1	1000	220.1
0.264	0.0353	61.03	0.0629	1000	0.001	1	0.22
1.201	0.1606	277.4	0.0286	4546	0.004546	4.546	1

MASS CONVERSION CHART							
lb.	oz.	kg	gm	gal H ₂ O (32F)	long ton	metric tonne	ton
1	16	0.4536	453.6	0.1198	0.000446	0.000453	0.0005
0.0625	1	0.02835	28.35	0.00749	0.000027	0.000028	0.000031
2.205	35.27	1	1000	0.2642	0.009839	0.001	0.001102
0.002205	0.03527	0.001	1	0.000264	0.000000	0.000001	0.000001
8.345	133.5	3.785	3785	1	0.003726	0.003786	0.004171
2240	35840	1016.4	1016363	268.352	1	1.016	1.12
2204.6	35273	1000	1000000	264.11	0.9842	1	1.1023
2000	32000	907.03	909090.9	239.7	0.892857	0.907194	1

DENSITY CONVERSION CHART			
lb/ft ³	gm/cm ³	kg/m ³	lb/in ³
1	0.016018	16.0184	0.000578
62.43	1	1000	0.03613
0.06243	0.001	1	0.000036
1728	27.68	27679.8	1