

HEAVY DUTY SERVICE PRESSURE GAUGE MODEL : P163 SERIES

WISE[®]

SERVICE INTENDED

The P163 Series are designed to withstand the Shock, Vibration and Pulsation inherent in heavy duty service.

NOMINAL DIAMETER

80mm

ACCURACY

±1.5% of Full Scale

SCALE RANGE (MPa, kPa, bar)

-0.1~0 to 0~25 MPa

WORKING TEMPERATURE

Ambient : -20 ~ 65°C

Fluid : -5 ~ 40°C



Standard Features

PRESSURE CONNECTION

Brass

ELEMENT

Brass

CASE & COVER

Black Finished Bronze

WINDOW

Safety Glass

MOVEMENT

304SS

Dampers Vibration and Pulsation

DIAL

White Aluminium with
Black Graduations

POINTER

Aluminium alloy, Black painted

PROCESS CONNECTION

3/8" PT, NPT & PF

ORDERING INFORMATION

BASE MODEL

P163 : HEAVY DUTY SERVICE PRESSURE GAUGE

NOMINAL DIAMETER

3 : 80mm

MOUNTING TYPE (Refer to Mounting type & Dimension)

J : Center Back Connection, Flush, Cover Mounting Plate

ACCURACY

4 : ±1.5% of Full Scale.

PROCESS CONNECTION

- B : 1/8"
- C : 1/4"
- D : 3/8"
- Z : M12×1.5

CONNECTION TYPE

- B : PF
- C : PT
- D : NPT
- Z : Other

UNIT

Refer to Pressure Unit & Range Table

RANGE

Refer to Pressure Unit & Range Table

DIAL COLOR

- 1 : 2 Colors
- 5 : 3 Colors, Available with Compound & Vacuum Gauges

OPTIONS

- 0 : None
- 1 : Accessories

P163

3

J

4

Z

Z

B

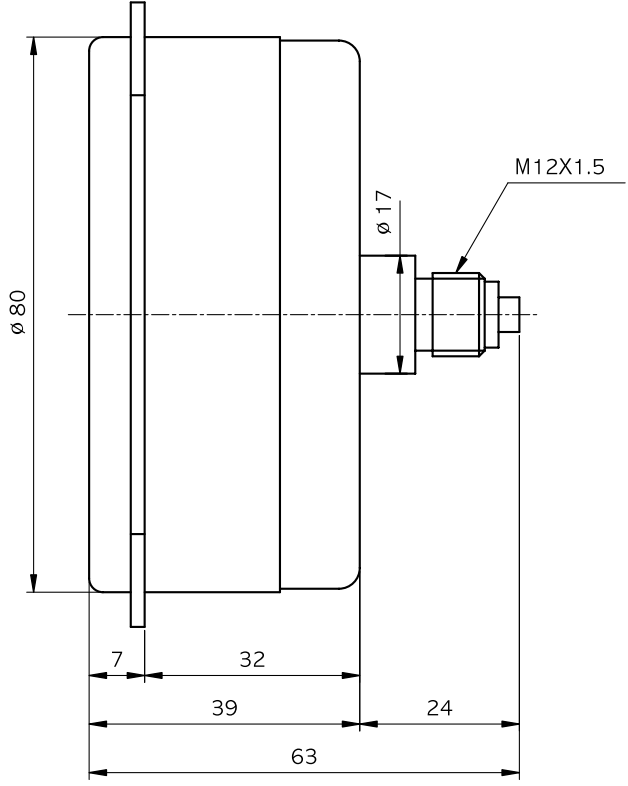
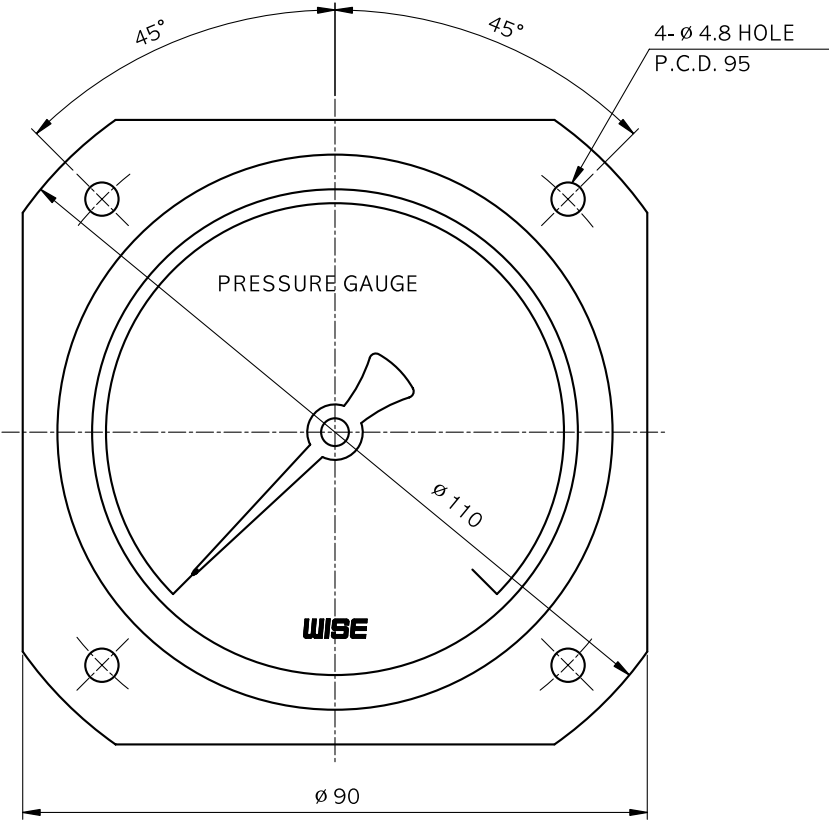
041

1

0

**SAMPLE
MODEL
NUMBER**

P163 : TYPE OF MOUNTING



PRESSURE UNIT & RANGE TABLE

RANGE & CODE	UNIT & CODE			NOMINAL DIAMETER
	H : bar	J : kPa	I : MPa	80mm
026	-1~0	-100~0	-0,1~0	○
041	0~1	0~100	0~0,1	○
042	0~2	0~200	0~0,2	○
043	0~3	0~300	0~0,3	○
044	0~4	0~400	0~0,4	○
045	0~6	0~600	0~0,6	○
047	0~10	0~1000	0~1	○
050	0~15	X	0~1,5	○
051	0~20	X	0~2	○
052	0~25	X	0~2,5	○
054	0~35	X	0~3,5	○
055	0~50	X	0~5	○
057	0~70	X	0~7	○
058	0~100	X	0~10	○
059	0~150	X	0~15	○
062	0~250	X	0~25	○
027	-1~1	-100~100	-0,1~0,1	○
028	-1~2	-100~200	-0,1~0,2	○
029	-1~3	-100~300	-0,1~0,3	○
030	-1~4	-100~400	-0,1~0,4	○
031	-1~6	-100~600	-0,1~0,6	○
032	-1~10	-100~1000	-0,1~1	○
033	-1~15	X	-0,1~1,5	○
034	-1~20	X	-0,1~2	○

○ : AVAILABLE × : NOT AVAILABLE