

GENERAL PURPOSE PRESSURE GAUGE MODEL : P140 SERIES

WISE[®]

SERVICE INTENDED

P140 Series, General Purpose Pressure Gauge, resists against weather and rust under the chemical or petrochemical circumstances allowing continuous exposure to atmosphere.

NOMINAL DIAMETER

40, 50, 60 and 100mm

ACCURACY

40mm : $\pm 3.0\%$ of Full Scale

50, 60 and 100mm : $\pm 1.5\%$ of Full Scale

SCALE RANGE (MPa, kPa, bar)

40mm : 0 ~ 0.2 to 0 ~ 3.5 MPa

50mm : 0 ~ 0.2 to 0 ~ 10 MPa

60mm : -0.1 ~ 0 to 0 ~ 25 MPa

100mm : -0.1 ~ 0 to 0 ~ 35 MPa

WORKING PRESSURE

Steady : 75% of Full Scale

Over Range Protection : 130% of Full Scale

WORKING TEMPERATURE

Ambient : -20 ~ 65°C

Fluid : -5 ~ 40°C



Standard Features

PRESSURE CONNECTION

Brass

ELEMENT

40 and 50mm : Brass

60 and 100mm : ≤ 10 MPa : Brass

> 10 MPa : 316SS

CASE

Polycarbonate

COVER & WINDOW

Polycarbonate

MOVEMENT

Brass

DIAL

White Aluminium with

Black Graduations

POINTER

Aluminium alloy, Black painted

CONNECTION

40mm : 1/8" PT, NPT & PF

50mm : 1/4" PT, NPT & PF

60mm : 1/4" PT, NPT & PF

100mm : 3/8" PT, NPT & PF

ORDERING INFORMATION

BASE MODEL

P140 : GENERAL PURPOSE PRESSURE GAUGE

NOMINAL DIAMETER

- 0 : 40mm
- 1 : 50mm
- 2 : 60mm
- 4 : 100mm

MOUNTING TYPE (Refer to Mounting type & Dimension)

- A : Bottom Connection, Direct, Not available with diameter 40 and 50mm
- E : Center Back Connection, Direct, Not available with diameter 60 and 100mm

ACCURACY

- 4 : ±1.5% of Full Scale, Not available with diameter 40mm
- 6 : ±3.0% of Full Scale, Only available with diameter 40mm

CONNECTION

- B : 1/8" Only available with diameter 40,mm
- C : 1/4" Only available with diameter 50,60mm
- D : 3/8" Not available with diameter 40,50,60mm

CONNECTION TYPE

- B : PF
- C : PT
- D : NPT
- Z : Other

UNIT

- I : MPa
- J : kPa
- H : bar

RANGE

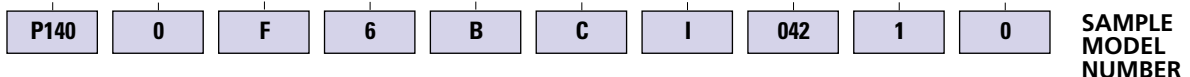
Refer to Pressure Unit & Range Table

DIAL COLOR

- 1 : 2 Colors
- 5 : 3 Colors, Available with Compound and Vacuum gauge

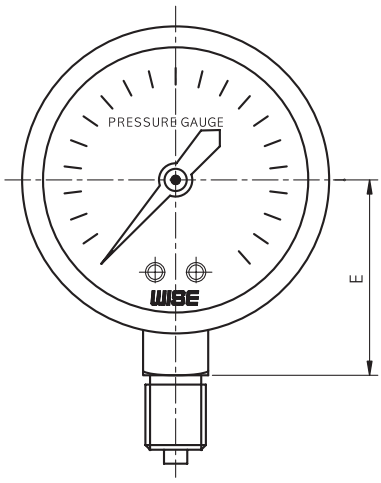
OPTIONS

- 0 : None
- 1 : Accessories

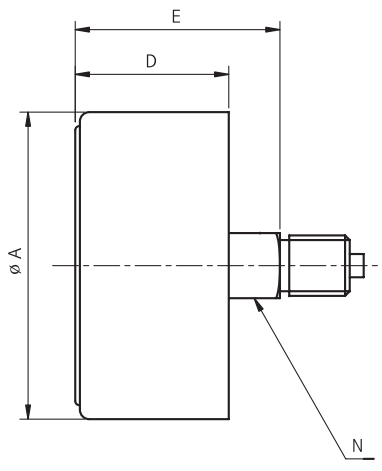
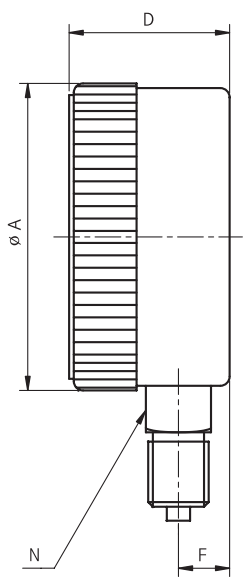
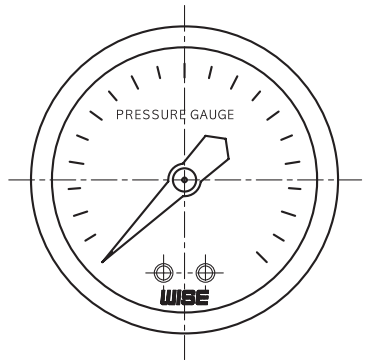


P140 : TYPE OF MOUNTING

CODE A



CODE F



Dimensions (mm)

DIAL SIZE	AVAILABLE CODE	A	D	E	F	N
40	F	47.5	24	29		12
50	F	56	26	35		14
60	A	70	31.5	42	11.5	14
100	A	110	35	116.5	13.5	17

PRESSURE UNIT & RANGE TABLE

RANGE & CODE	UNIT & CODE			NOMINAL DIAMETER			
	H : bar	J : kPa	I : MPa	40mm	50mm	60mm	100mm
026	-1~0	-100~0	-0.1~0	×	×	○	○
041	0~1	0~100	0~0.1	×	×	○	○
042	0~2	0~200	0~0.2	○	○	○	○
043	0~3	0~300	0~0.3	×	○	○	○
044	0~4	0~400	0~0.4	○	○	○	○
045	0~6	0~600	0~0.6	○	○	○	○
047	0~10	0~1000	0~1	○	○	○	○
050	0~15	X	0~1.5	○	○	○	○
051	0~20	X	0~2	○	○	○	○
052	0~25	X	0~2.5	○	○	○	○
054	0~35	X	0~3.5	○	○	○	○
055	0~50	X	0~5	×	○	○	○
057	0~70	X	0~7	×	○	○	○
058	0~100	X	0~10	×	○	○	○
059	0~150	X	0~15	×	×	○	○
062	0~250	X	0~25	×	×	○	○
064	0~350	X		×	×	×	○
027	-1~1	-100~100	-0.1~0.1	×	×	○	○
028	-1~2	-100~200	-0.1~0.2	×	×	○	○
029	-1~3	-100~300	-0.1~0.3	×	×	○	○
030	-1~4	-100~400	-0.1~0.4	×	×	○	○
031	-1~6	-100~600	-0.1~0.6	×	×	○	○
032	-1~10	-100~1000	-0.1~1	×	×	○	○
033	-1~15	X	-0.1~1.5	×	×	○	○
034	-1~20	X	-0.1~2	×	×	○	○

○ : AVAILABLE × : NOT AVAILABLE