

AMMONIA SERVICE PRESSURE GAUGE MODEL : P111 SERIES

WISE[®]

SERVICE INTENDED

The P111 Series are designed to withstand the shock, vibration and pulsation inherent in agricultural ammonia equipment.

NOMINAL DIAMETER

75 and 100mm

ACCURACY

±1.5% of Full Scale

SCALE RANGE (MPa, kPa, bar)

-0.1 ~ 1, 1.5, 2MPa

WORKING PRESSURE

Steady : 75% of Full Scale

Over Range Protection : 130% of Full Scale

WORKING TEMPERATURE

Ambient : -20 ~ 65°C

Fluid : -5 ~ 40°C



Standard Features

PRESSURE CONNECTION

304SS

ELEMENT

316SS

C Type Bourdon Tube

CASE

Black Finished Steel

COVER

Black Finished Steel

WINDOW

Glass

MOVEMENT

Brass

DIAL

White Aluminium with
Black Graduations

POINTER

Aluminium alloy, Black painted

PROCESS CONNECTION

3/8"

CONNECTION

PF, PT

ORDERING INFORMATION

BASE MODEL

P111 : AMMONIA SERVICE PRESSURE GAUGE

NOMINAL DIAMETER

- 3 : 75mm
- 4 : 100 mm

MOUNTING TYPE (Refer to Mounting type & Dimension)

- A : Bottom Connection, Direct
- B : Bottom Connection, Surface, Case Mounting Plate
- M : Lower Back Connection, Flush, Case Center Mounting Bracket, Only available with Diameter 100mm

ACCURACY

- 4 : ±1.5% of Full Scale

CONNECTION

- D : 3/8"

CONNECTION TYPE

- B : PF
- C : PT

UNIT

- H : bar
- I : MPa

RANGE

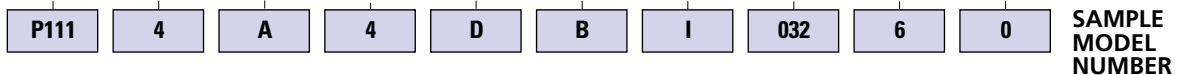
- 032 : -0.1 ~ 1Mpa(-1~10bar)
- 033 : -0.1 ~ 1.5Mpa(-1~15bar)
- 034 : -0.1 ~ 2.0Mpa(-1~20bar)

DIAL COLOR

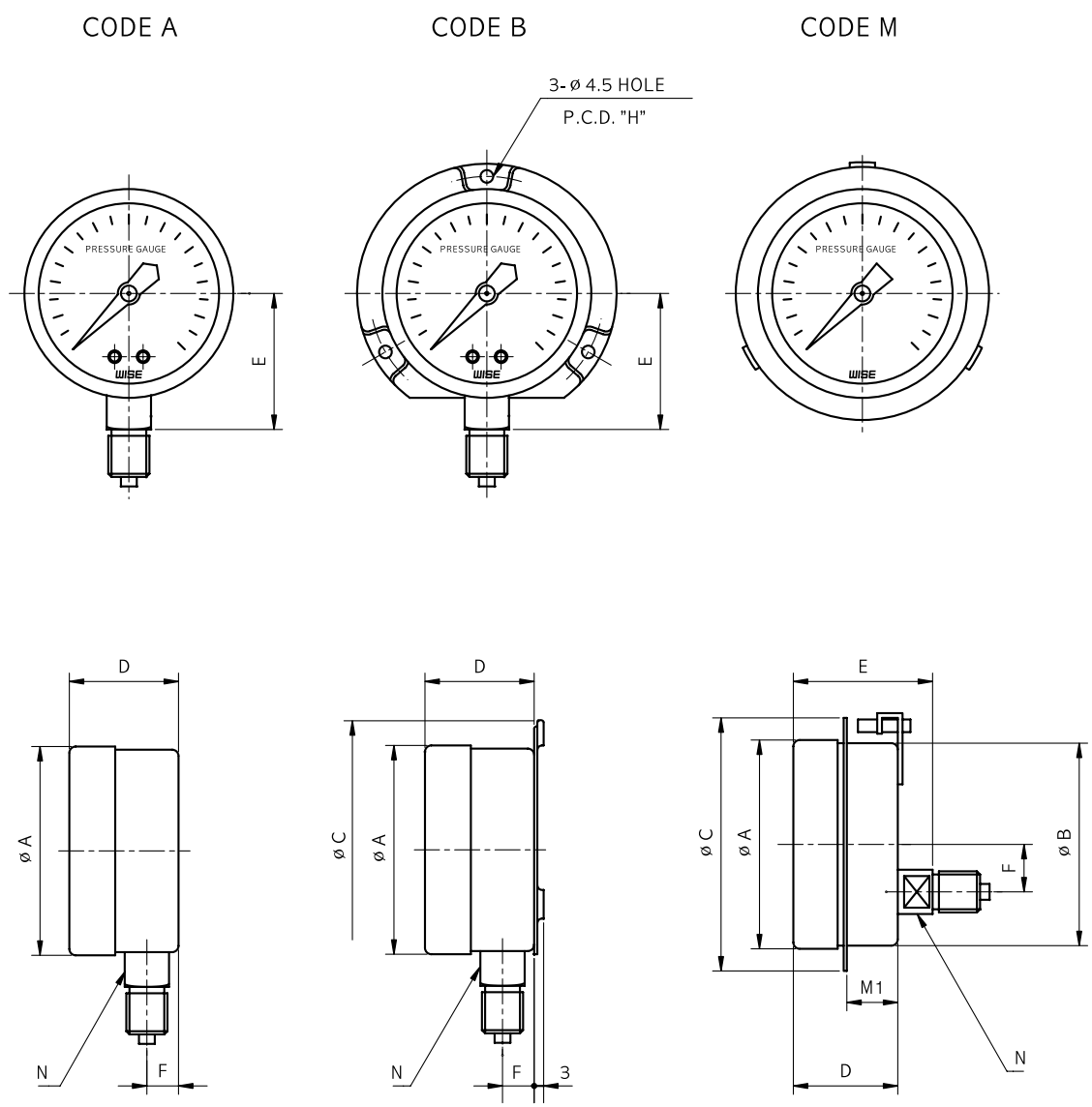
- 6 : 3 Colors

OPTIONS

- 0 : None
- 1 : Accessories



P111 : TYPE OF MOUNTING



Dimensions (mm)

DIAL SIZE	AVAILABLE CODE	A	B	C	D	E	F	H	M1	N
75	A,B	78		100	34.7	52	12.7	90		17
100	A,B	106		128	35	64.5	12.7	115		17
	M	103.5	102	128	40.5	61.5	36		14	17

Degrees of protection(IP Code) - IEC 60529

Arrangement of the IP Code

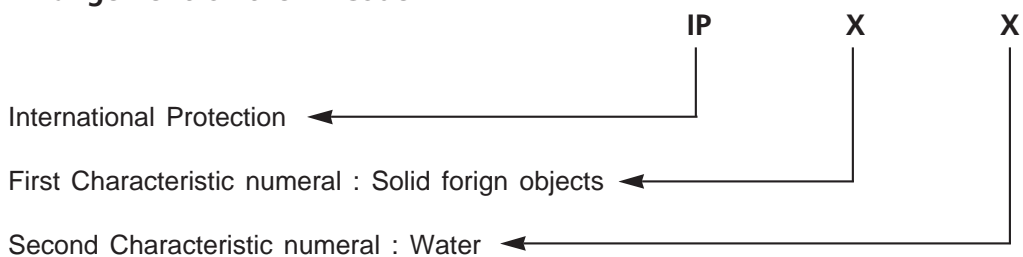


Table - IP Code

First Characteristic numeral	Brief description	Second Characteristic numeral	Brief description
0	Non – protection	0	Non – protection
1	Protected against solid foreign objects of 50mm \varnothing and greater	1	Protected against vertically falling water drops
2	Protected against solid foreign objects of 12.5mm \varnothing and greater	2	Protected against vertically falling water drops when enclosure tilted up to 15°
3	Protected against solid foreign objects of 2.5mm \varnothing and greater	3	Protected against spraying water when enclosure tilted up to 60°
4	Protected against solid foreign objects of 1mm \varnothing and greater	4	Protected against spraying water from any direction
5	Dust – protected	5	Protected against water jets
6	Dust – tight No ingress of dust	6	Protected against powerful water jets
		7	Protected against the effects of temporary immersion in water
		8	Protected against the effects of continuous immersion in water